

12	10-03500-G15-902N-1220	package		1		
11	10-05175-015-20	sealing seat	PTFE	2	0.7	1.4
10	10-02500-G15-1R2N	bonnet	CW617N-4MS	1	39.7	39.7
9	10-01516-G15-22	gasket	PTFE	1	0.3	0.3
8	10-01500-G15-4000	stem	CW617N-4MS	1	9.6	9.6
7	10-01500-G15-3052	ball	CW617N-4MS	1	17.5	17.5
6	10-01500-G15-0R28-1220	body	CW617N-4MS	1	58.6	58.6
5	10-01407-R15-7663	rubber sleeve-blue	VMQ (硅胶)	1	0.2	0.2
4	10-01407-R15-7660	rubber sleeve-red	VMQ (硅胶)	1	0.2	0.2
3	10-01400-G15-6200	nut	stainless steel	1	2.7	2.7
2	10-01207-G15-700D-1220	handle	Q235	1	38	38
1	10-01207-G15-5000	press nut	CW617N-4MS	1	2.7	2.7
No	Drawing No	Name	Material	QTY	pc	total
					Weight/g	

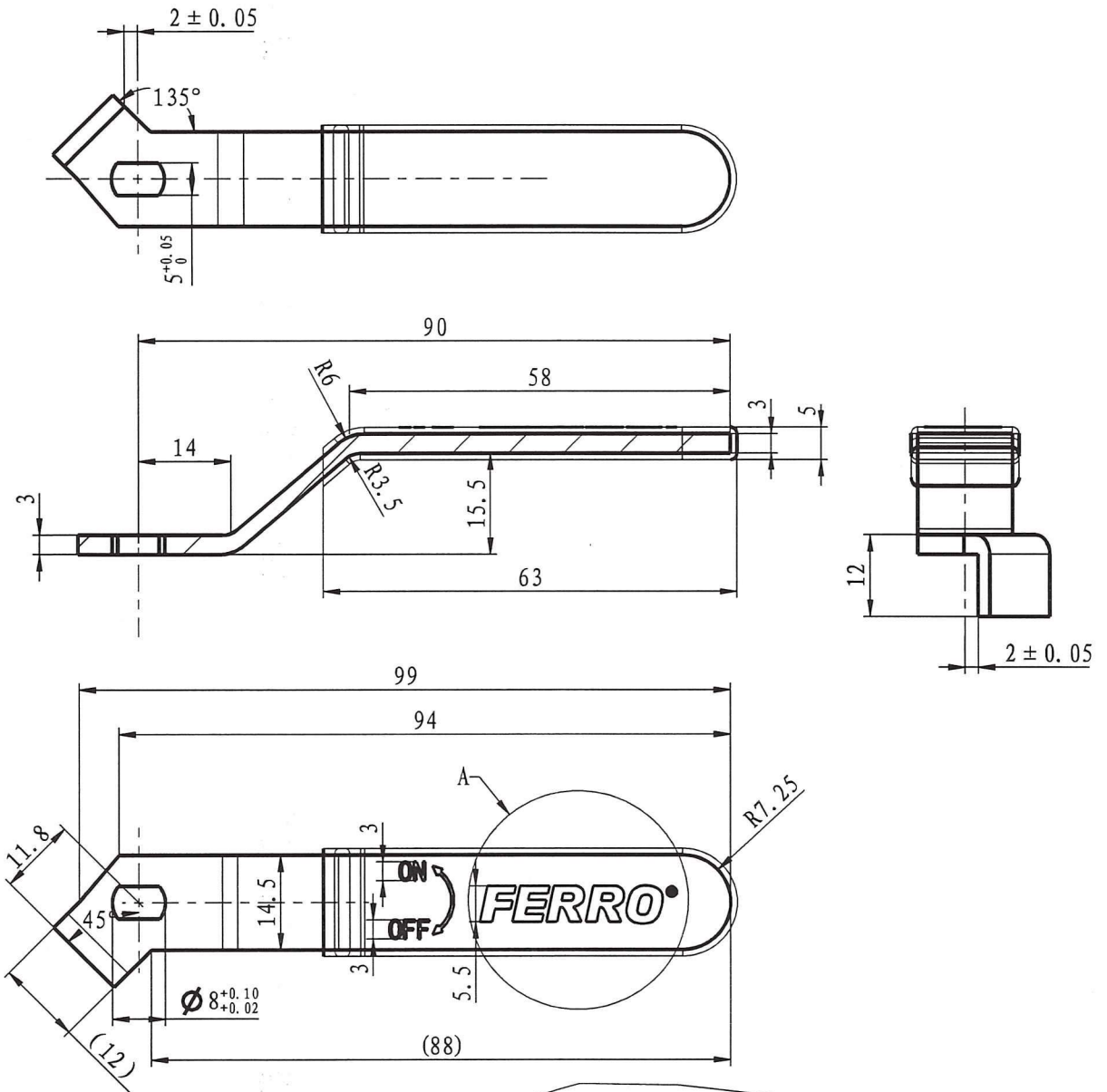
KFC11
 Drawing No.: 10-03500-G15-CP2N-1220
 Weight: 171g
"FERRO" S.A.

32-050 Skawina ul. Przemysłowa 7
 REGON 356375388, NIP 944-20-51-648

(15)

Handwritten signature

Produce for Ferro. S.A

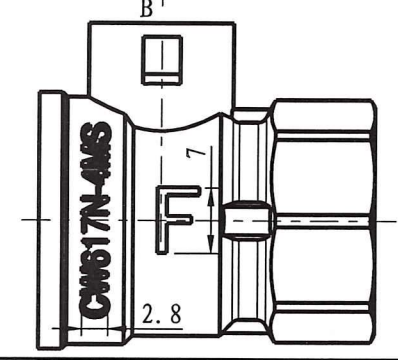
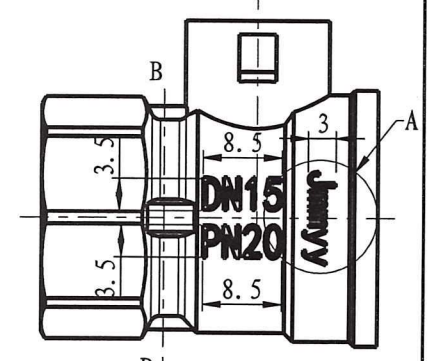
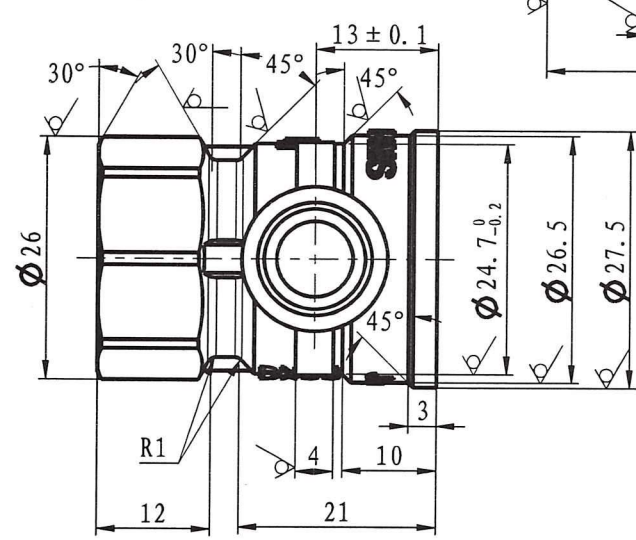
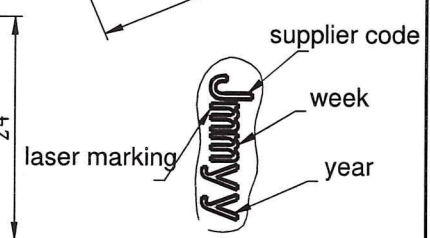
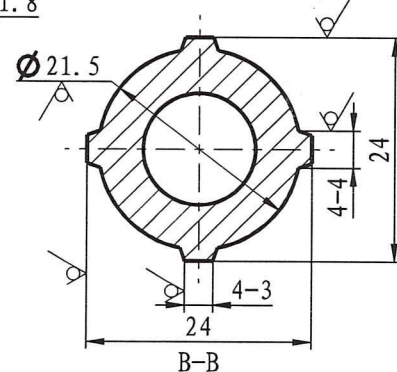
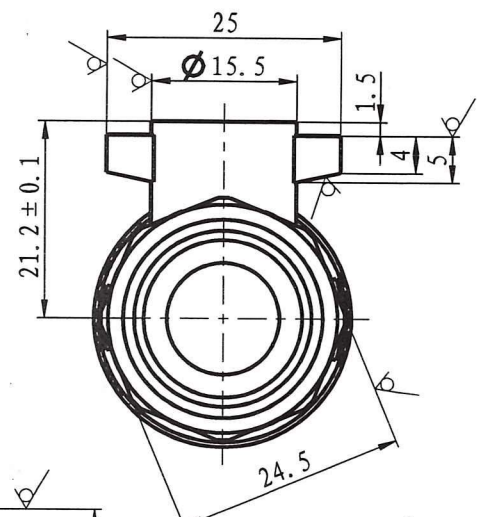
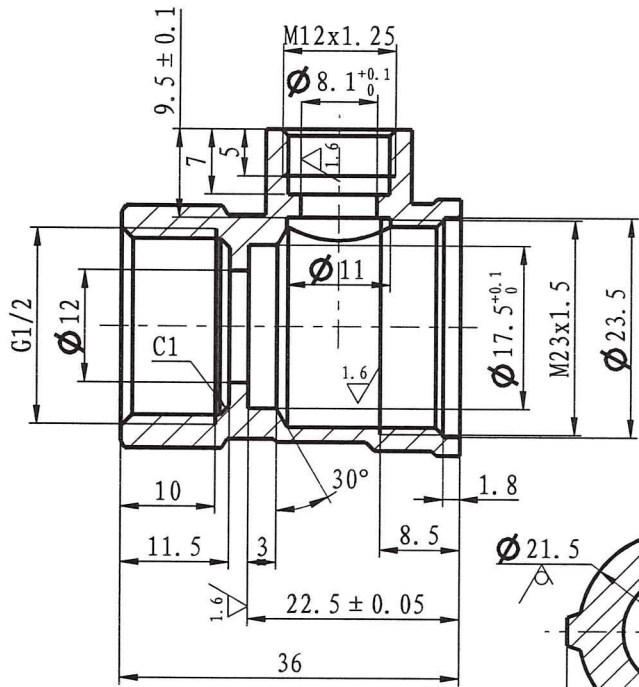


Handle
 Drawing No.: 10-01207-G15-700D-1220
 Material: Q235

Intouch

Produce for Ferro. S.A

≤ 6	± 0.05
> 6-20	± 0.1
> 20-40	± 0.15
> 40-60	± 0.2
> 60-120	± 0.3
> 120-400	± 0.4

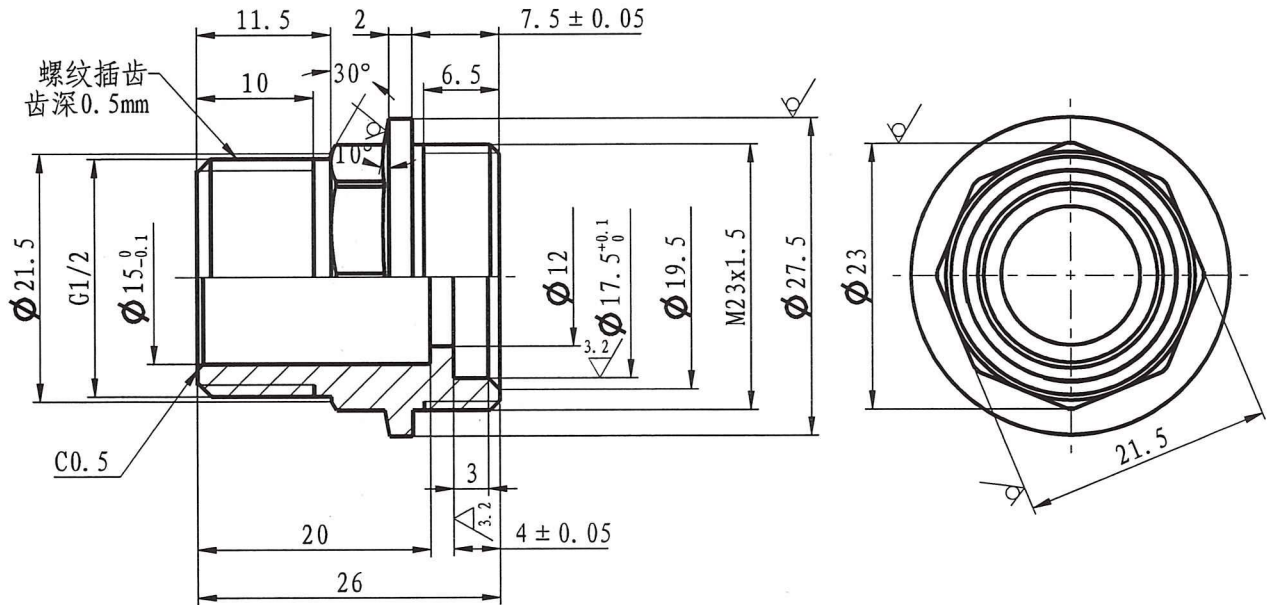


≤ 6	± 0.05
> 6-20	± 0.1
> 20-40	± 0.15
> 40-60	± 0.2
> 60-120	± 0.3
> 120-400	± 0.4

Body
 Drawing No.: 10-01500-G15-0R28-1220
 Material: CW617n-4MS

Handwritten signature

Produce for Ferro. S.A



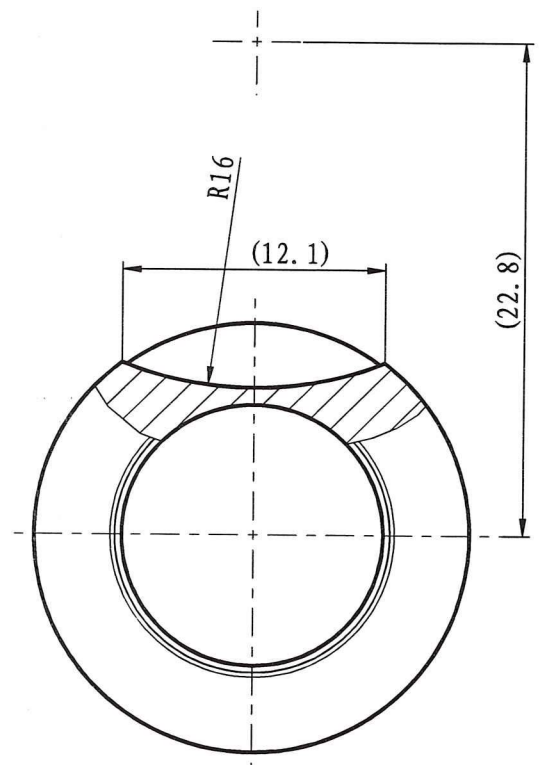
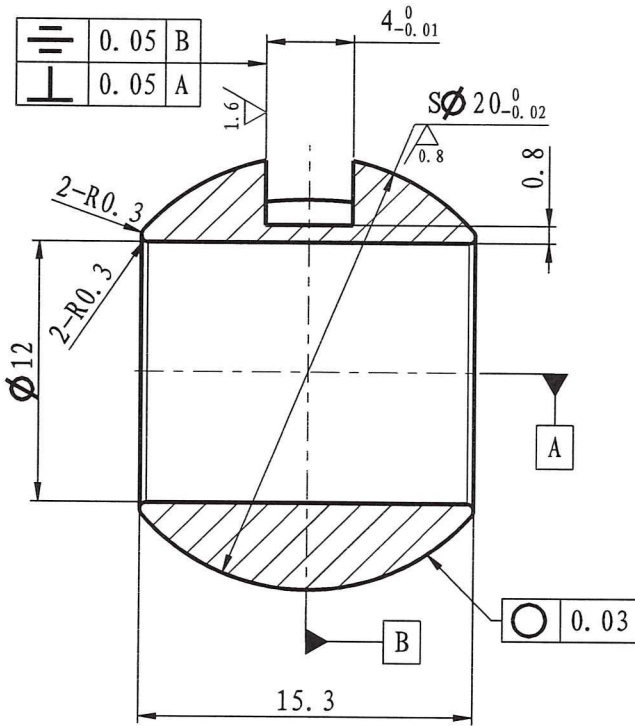
Bonnet

Drawing No.: 10-01500-G15-1R2N

Material: CW617n-4MS

Handwritten signature

Produce for Ferro. S.A

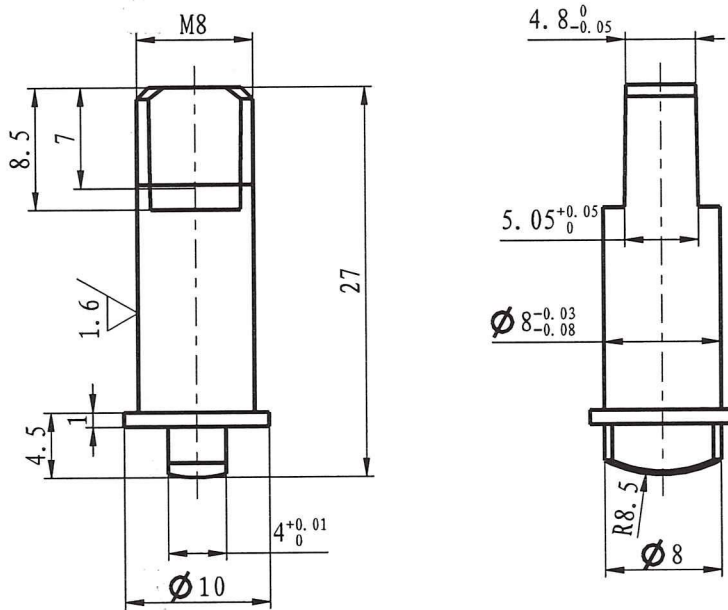


≤ 6	± 0.05
$> 6-20$	± 0.1
$> 20-40$	± 0.15
$> 40-60$	± 0.2
$> 60-120$	± 0.3
$> 120-400$	± 0.4

Ball
 Drawing No.: 10-01500-G15-3052
 Material: CW617n-4MS

Handwritten signature

Produce for Ferro. S.A



Stem

Drawing No.: 10-01500-G15-4000

Material: CW617n-4MS

Handwritten signature

Produce for Ferro. S.A