

12	10-03500-G25-902N-1220	package		1		
11	10-02500-G25-1R2N	bonnet	CW617N-4MS	1	90.7	90.7
10	10-01516-G25-22	gasket	PTFE	1	0.5	0.5
9	10-01500-G25-4000	stem	CW617N-4MS	1	18.4	18.3
8	10-01500-G25-3052	ball	CW617N-4MS	1	71.8	71.7
7	10-01500-G25-20	sealing seat	PTFE	2	1.8	3.6
6	10-01500-G25-0R28-1220	body	CW617N-4MS	1	126.6	126.6
5	10-01407-R15-7663	rubber sleeve-blue	VMQ (硅胶)	1	0.2	0.2
4	10-01407-R15-7660	rubber sleeve-red	VMQ (硅胶)	1	0.2	0.2
3	10-01207-G25-700D-1220	handle	Q235	1	60	60
2	10-01207-G25-5000	press nut	CW617N-4MS	1	3.7	3.7
1	10-01029-N25-6200	nut	stainless steel	1	4.8	4.8
No	Drawing No	Name	Material	QTY	pc	total
					Weight/g	

KFC31

Drawing No.: 10-03500-G25-CP2N-1220

Weight: 380g

"FERRO" S.A.

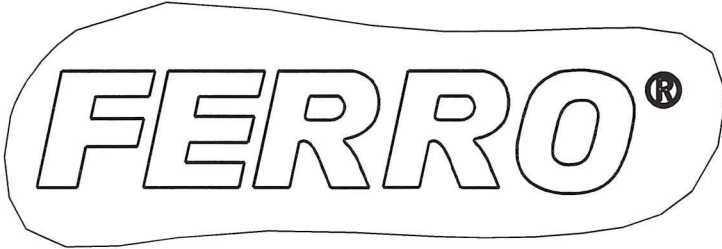
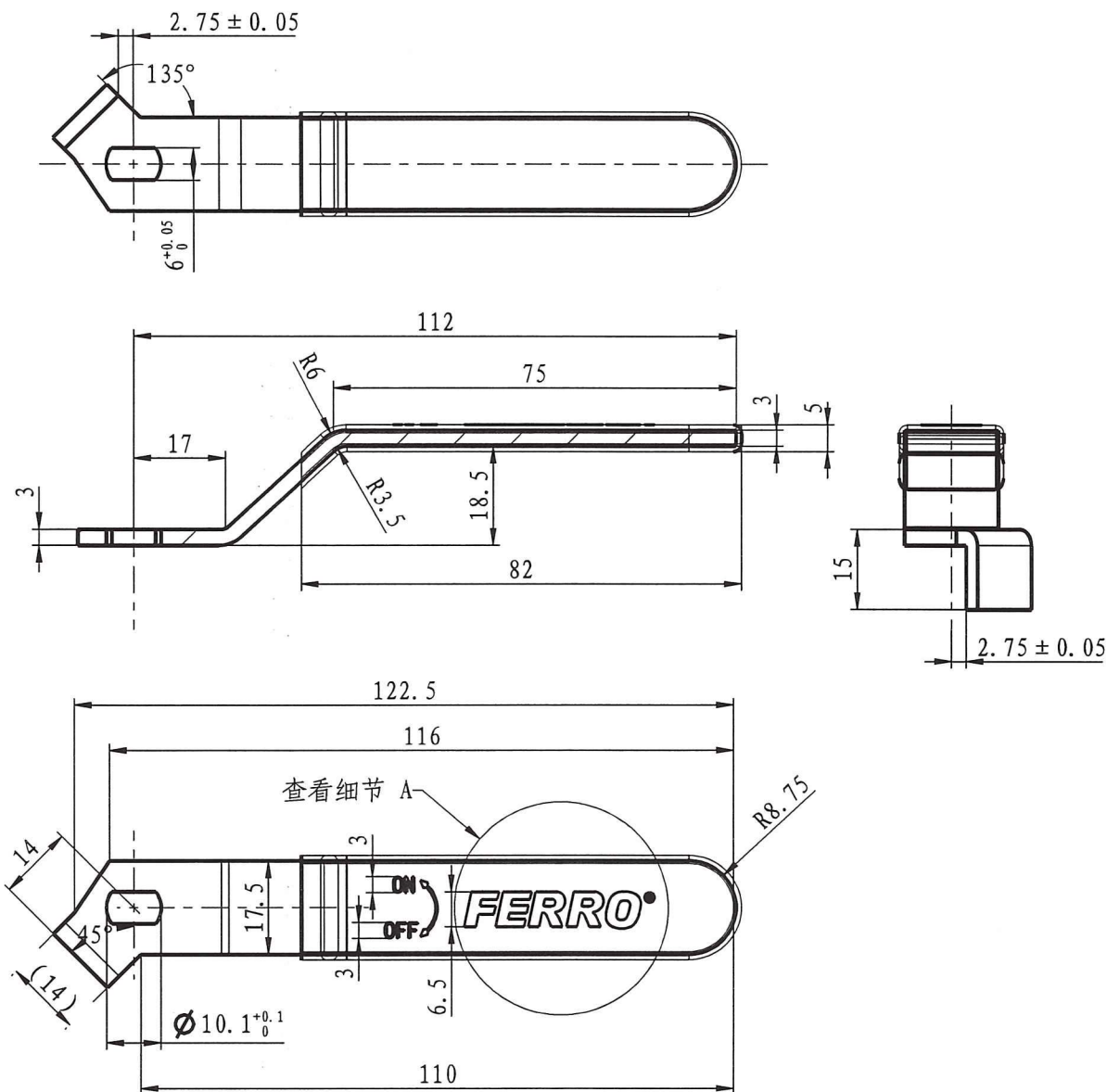
32-050 Skawina ul. Przemysłowa 7

REGON 359375388, NIP 944-20-51-64E

(15)

lulowki

Produce for Ferro. S.A

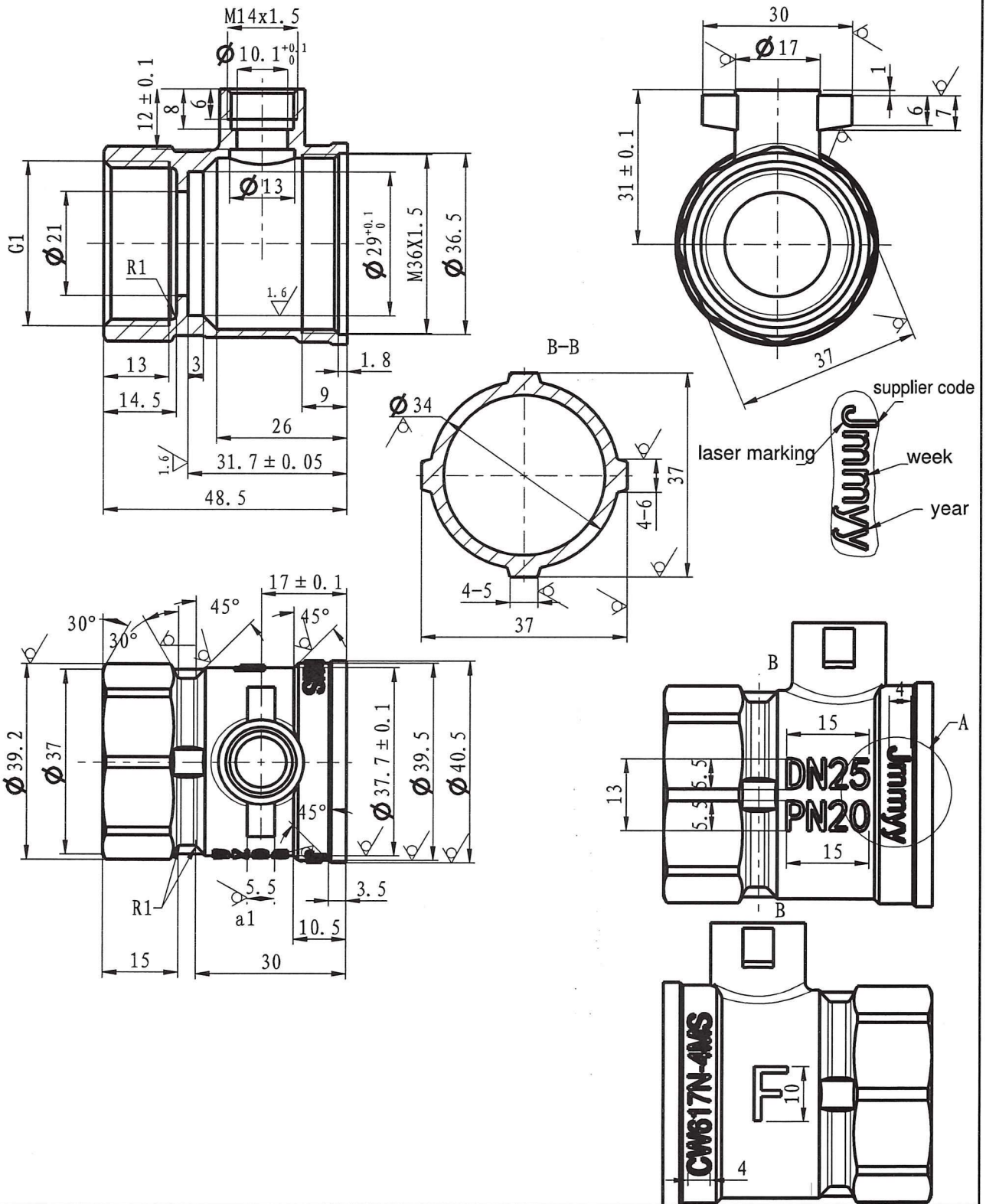


Handle
 Drawing No.: 10-01207-G25-700D-1220
 Material: Q235

Indonh

Produce for Ferro. S.A

≤ 6	± 0.05
> 6-20	± 0.1
> 20-40	± 0.15
> 40-60	± 0.2
> 60-120	± 0.3
> 120-400	± 0.4



Body

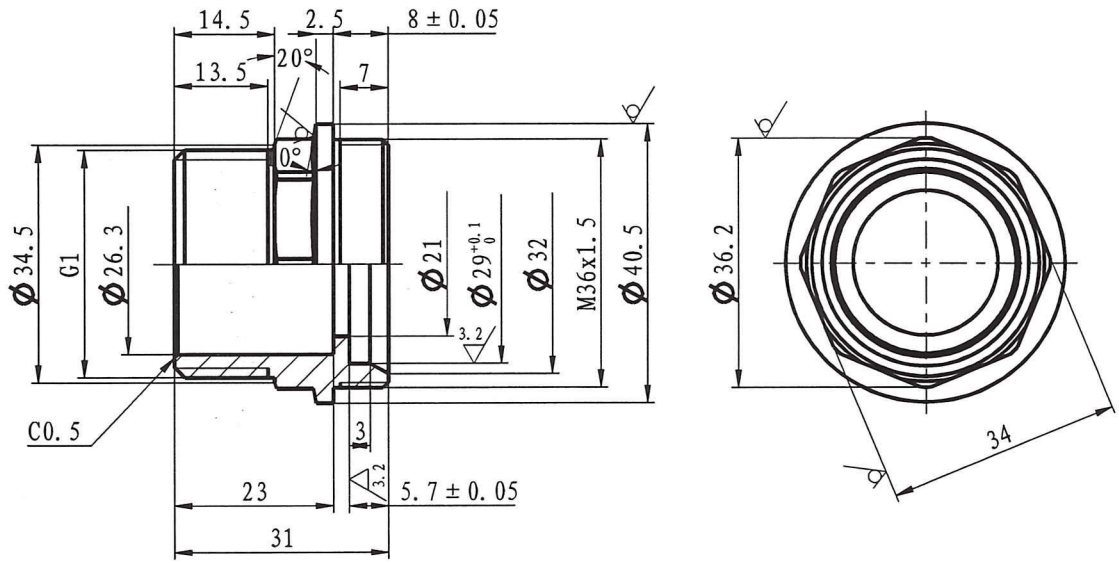
Drawing No.: 10-01500-G25-0R28-1220

Material: CW617N-4MS

Produce for Ferro. S.A

h/brak

≤6	±0.05
>6-20	±0.1
>20-40	±0.15
>40-60	±0.2
>60-120	±0.3
>120-400	±0.4

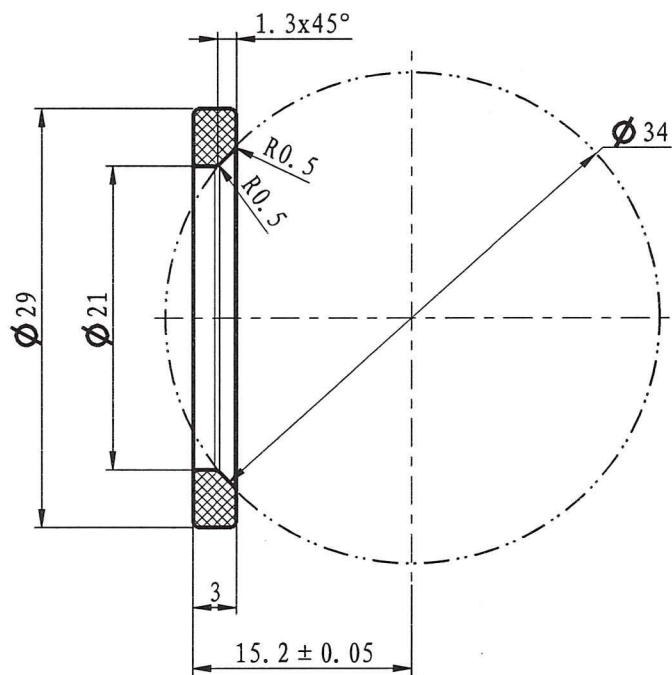


≤ 6	± 0.05
> 6-20	± 0.1
> 20-40	± 0.15
> 40-60	± 0.2
> 60-120	± 0.3
> 120-400	± 0.4

Bonnet
 Drawing No.: 10-02500-G25-1R2N
 Material: CW617N-4MS

Indonk

Produce for Ferro. S.A

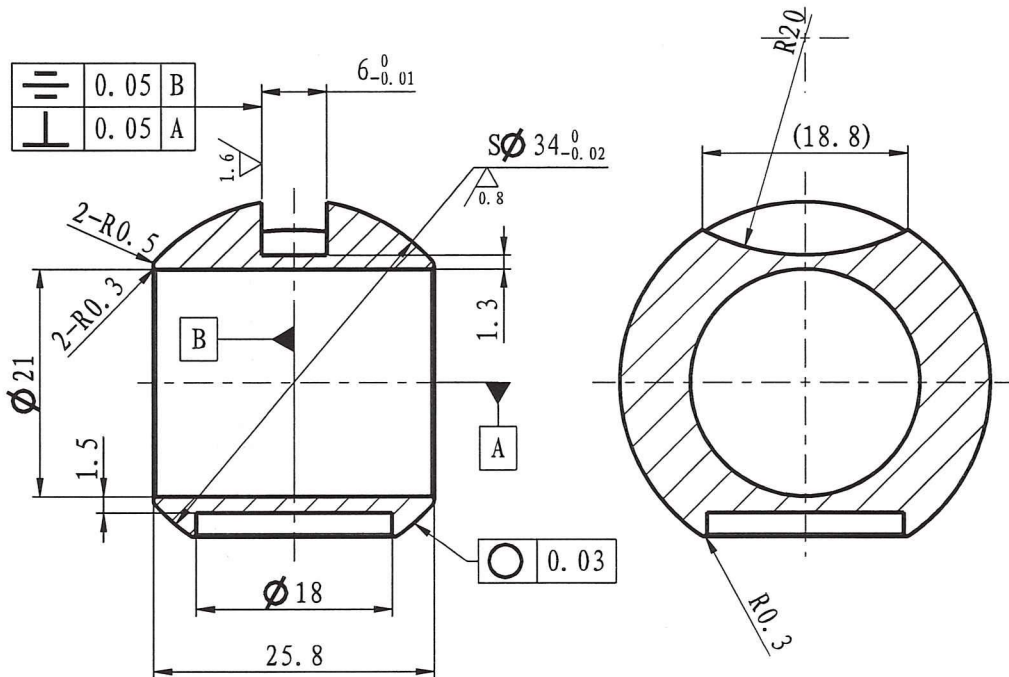


Sealing seat
 Drawing No.: 10-01500-G25-20
 Material: PTFE

Intouch

Produce for Ferro. S.A

≤ 6	± 0.05
> 6-20	± 0.1
> 20-40	± 0.15
> 40-60	± 0.2
> 60-120	± 0.3
> 120-400	± 0.4

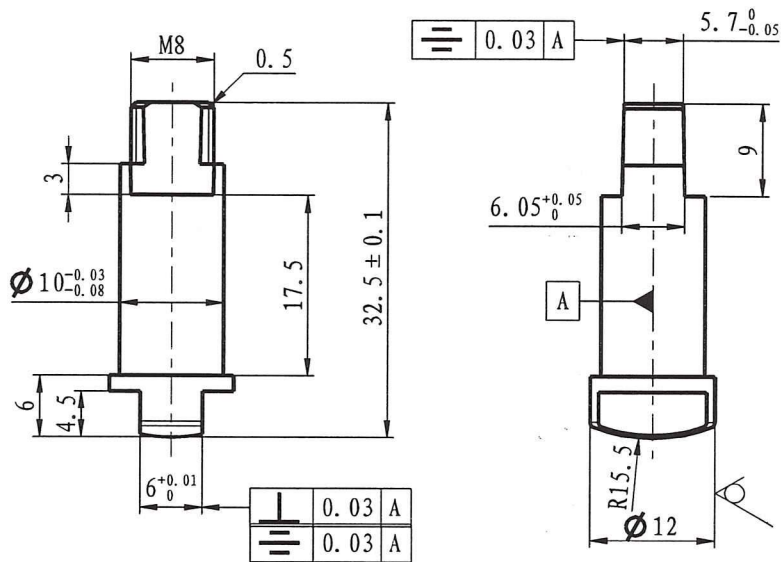


> 120-400	± 0.4
> 60-120	± 0.3
> 40-60	± 0.2
> 20-40	± 0.15
> 6-20	± 0.1
≤ 6	± 0.05

Produce for Ferro. S.A

Ball
 Drawing No.: 10-01500-G25-3052
 Material: CW617N-4MS

Inlank



≤ 6	± 0.05
> 6-20	± 0.1
> 20-40	± 0.15
> 40-60	± 0.2
> 60-120	± 0.3
> 120-400	± 0.4

Stem

Drawing No.: 10-01500-G25-4000

Material: CW617N-4MS

hulout

Produce for Ferro. S.A