

12	10-01500-G32-9028-1220	package		1		
11	10-01516-G32-22	gasket	PTFE	1	1.1	1
10	10-01516-G32-20	sealing seat	PTFE	2	3.3	6.4
9	10-01500-G32-4000	stem	CW617N-4MS	1	27.7	27.7
8	10-01500-G32-3052	ball	CW617N-4MS	1	74.2	74.2
7	10-01500-G32-1R28	bonnet	CW617N-4MS	1	101.4	101.4
6	10-01500-G32-0R28-1220	body	CW617N-4MS	1	194.1	194.1
5	10-01407-R40-7663	rubber sleeve-blue	VMQ (硅胶)	1	0.4	0.4
4	10-01407-R40-7660	rubber sleeve-red	VMQ (硅胶)	1	0.4	0.4
3	10-01407-G32-6200	nut	stainless steel	1	7.4	7.4
2	10-01207-G32-700D-1220	handle	Q235	1	90	90
1	10-01207-G32-5000	press nut	CW617N-4MS	1	7.5	7.5
No	Drawing No	Name	Material	QTY	pc	total
					Weight/g	

KFC4

Drawing No.: 10-01500-G32-CP28-1220

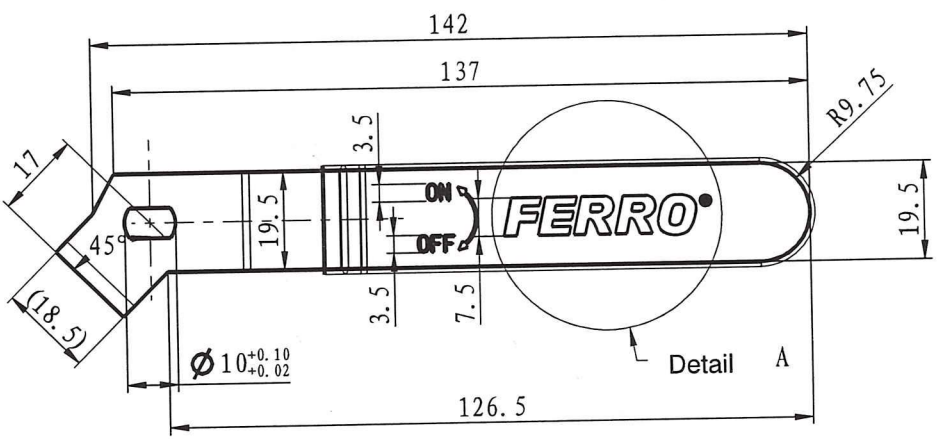
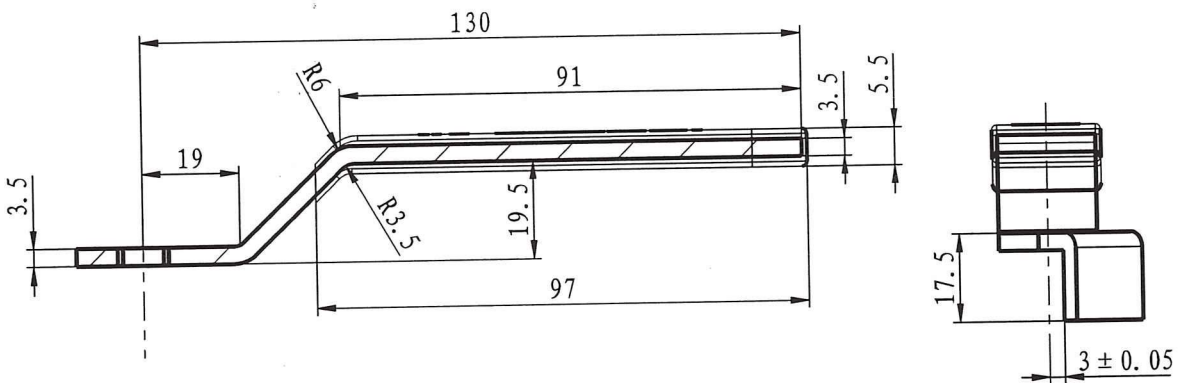
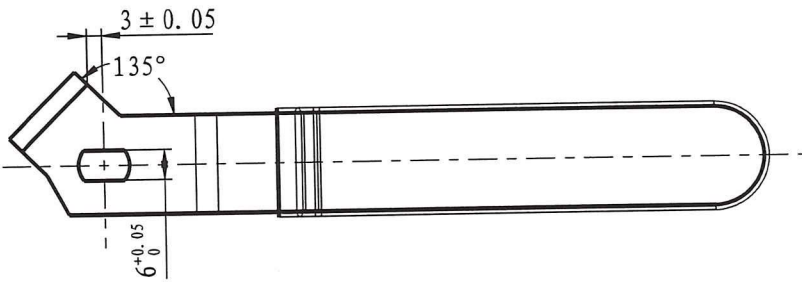
Weight: 511g

**FERRO** S.A.  
32-050 Skawina ul. Przemysłowa 7  
REGON 356375386, NIP 944-20-51-648

(15)

*Wolanki*

Produce for Ferro. S.A



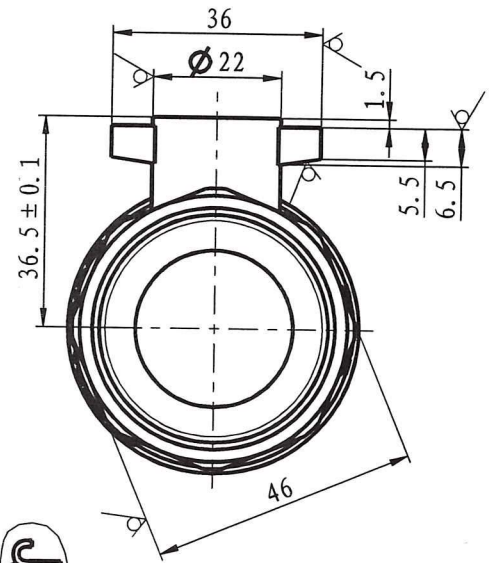
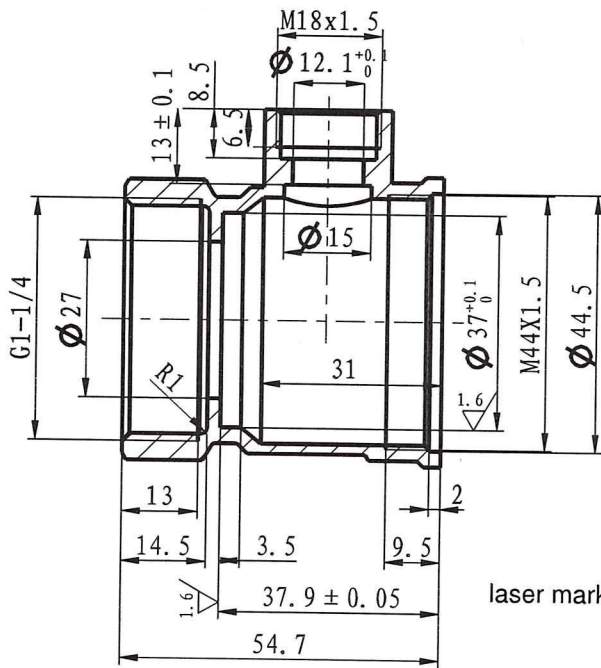
细节 A  
比例 2:1

*hnlouh*

Handle  
Drawing No.: 10-01207-G32-700D-1220  
Material: Q235

Produce for Ferro. S.A

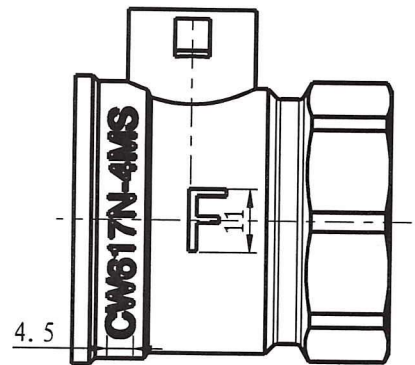
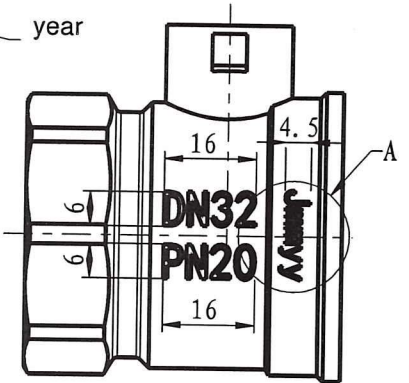
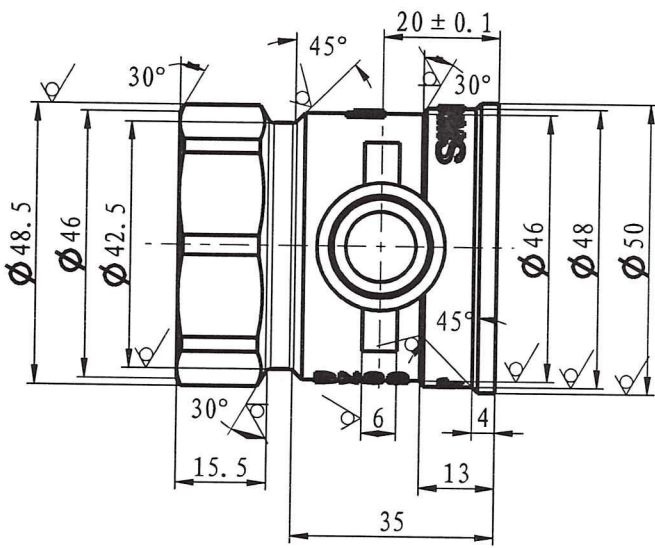
> 120-400	± 0.4
> 60-120	± 0.3
> 40-60	± 0.2
> 20-40	± 0.15
> 6-20	± 0.1
≤ 6	± 0.05



laser marking

supplier code  
week  
year

细节 A  
比例 3:2



Body

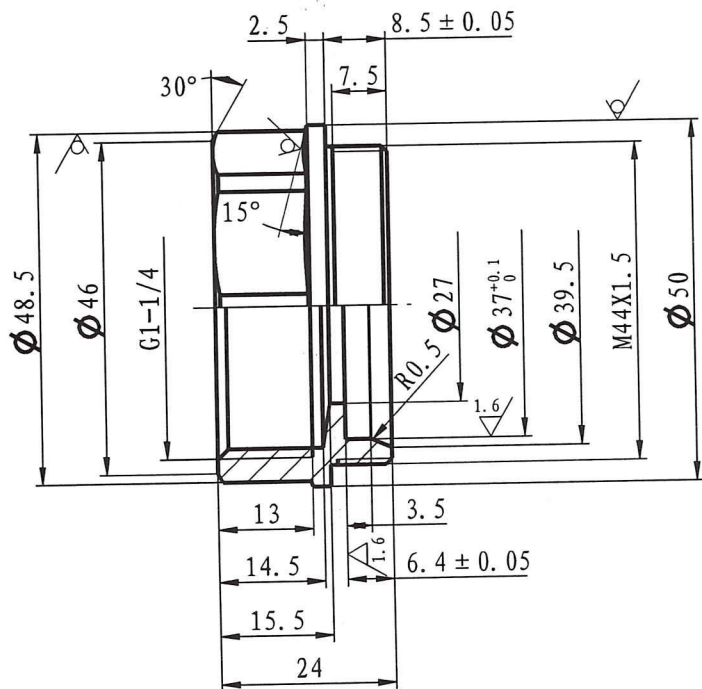
Drawing No.: 10-01500-G32-0R28-1220

Material: CW617N-4MS

*Handwritten signature*

Produce for Ferro. S.A

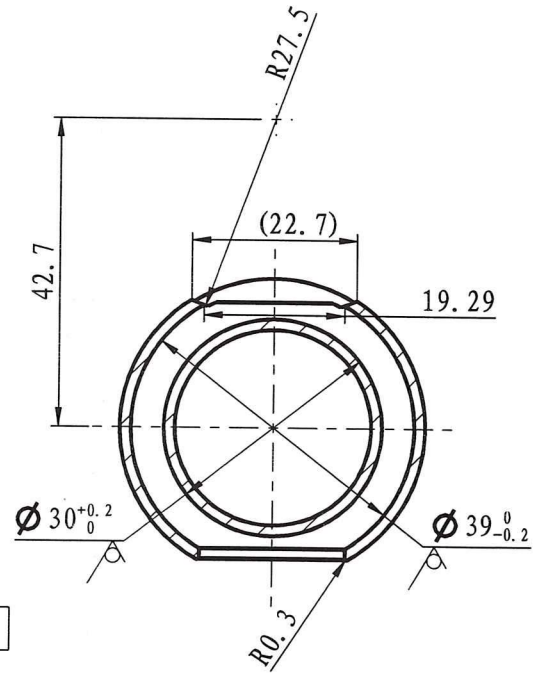
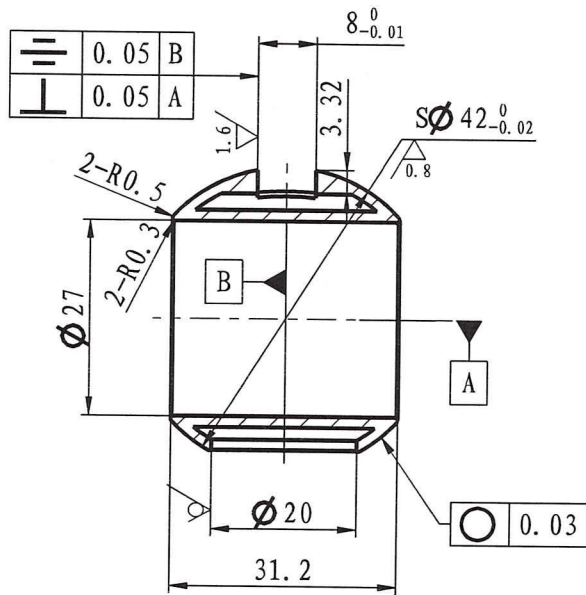




Bonnet  
 Drawing No.: 10-01500-G32-1R28  
 Material: CW617N-4MS

*hulowh*

Produce for Ferro. S.A

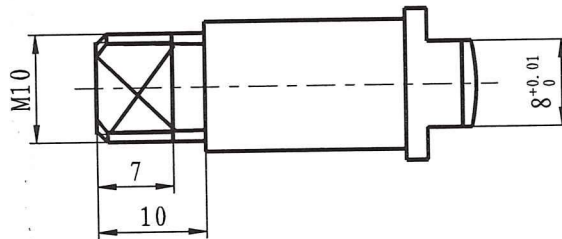
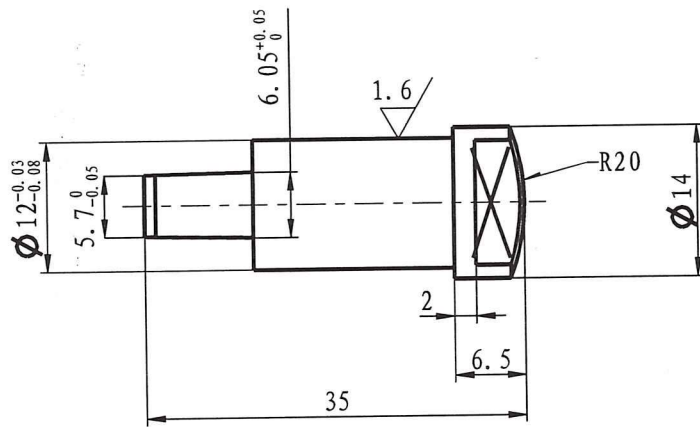


≤ 6	± 0.05
> 6-20	± 0.1
> 20-40	± 0.15
> 40-60	± 0.2
> 60-120	± 0.3
> 120-400	± 0.4

Ball  
 Drawing No.: 10-01500-G32-3052  
 Material: CW617N-4MS

*Handwritten signature*

Produce for Ferro. S.A



≤ 6	± 0.05
> 6-20	± 0.1
> 20-40	± 0.15
> 40-60	± 0.2
> 60-120	± 0.3
> 120-400	± 0.4

Produce for Ferro. S.A

Stem  
 Drawing No.: 10-01500-G32-4000  
 Material: CW617N-4MS

*Intorchi*