

12	10-01500-G50-9028-1220	package		1		
11	10-07029-041-22	gasket	PTFE	1	1.2	1.2
10	10-01500-G50-3052	ball	CW617N-4MS	1	253	253
9	10-01500-G50-20	sealing seat	PTFE	2	8	16
8	10-01500-G50-1R28	bonnet	CW617N-4MS	1	257	257
7	10-01500-G50-0R28-1220	body	CW617N-4MS	1	438.7	438.7
6	10-01500-G40-4000	stem	CW617N-4MS	1	49.6	49.6
5	10-01407-R40-7663	rubber sleeve-blue	VMQ (硅胶)	1	0.4	0.4
4	10-01407-R40-7660	rubber sleeve-red	VMQ (硅胶)	1	0.4	0.4
3	10-01407-G40-6200	nut	stainless steel	1	7.2	7.2
2	10-01207-G40-700D-1220	handle	Q235	1	155	155
1	10-01207-G40-5000	press nut	CW617N-4MS	1	10	10
No	Drawing No	Name	Material	QTY	pc	total
					Weight/g	

KFC6

Drawing No.: 10-01500-G50-9028-1220

Weight: 1189g

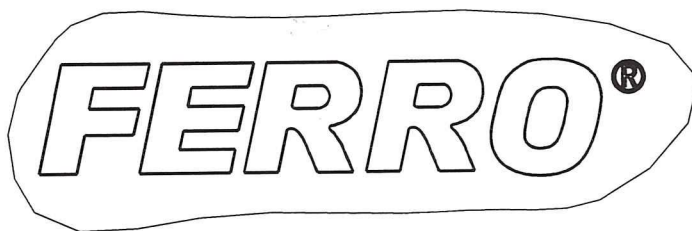
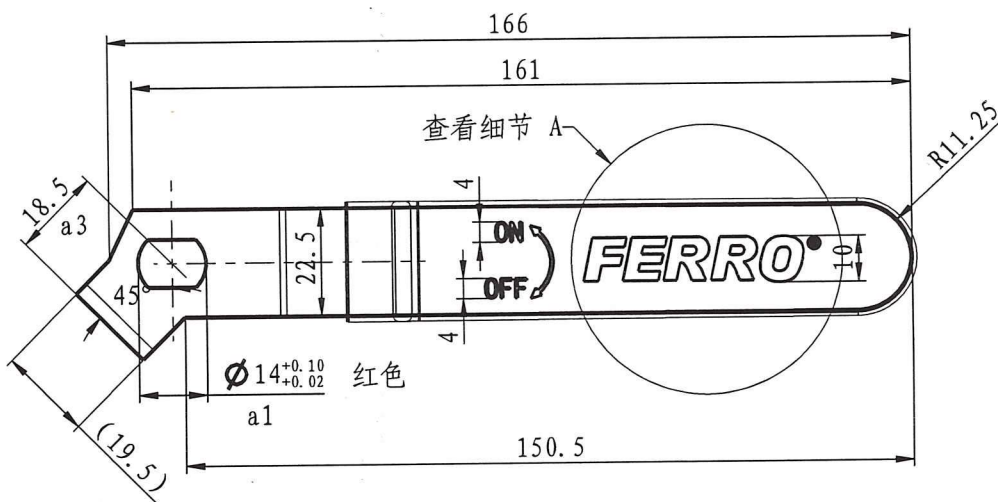
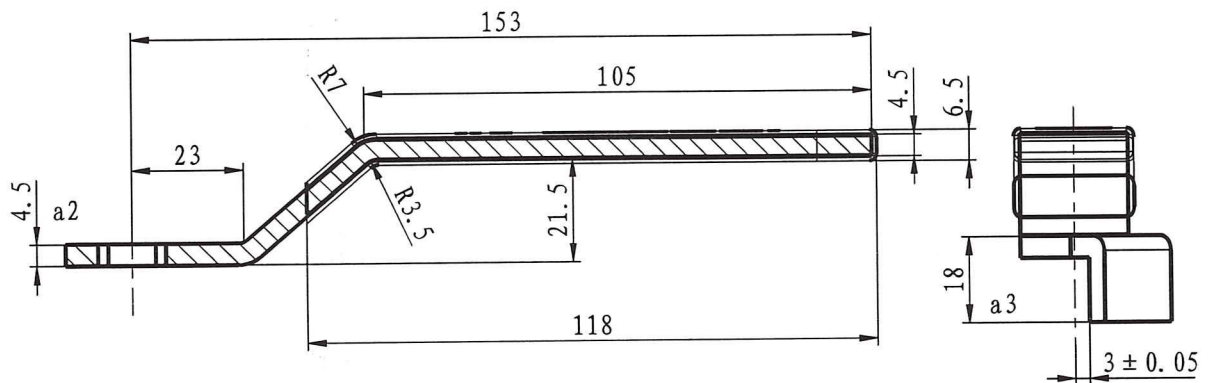
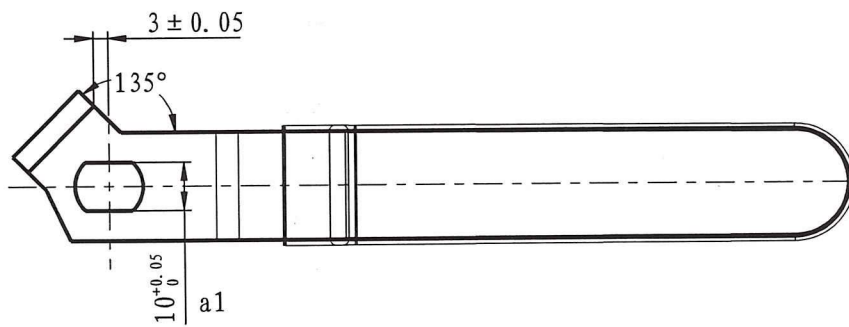
32-050 Skawina ul. Przemysłowa 7

REGON 356375388, NIP 944-20-51-648

(15)

Produce for Ferro. S.A

Wolow



Handle

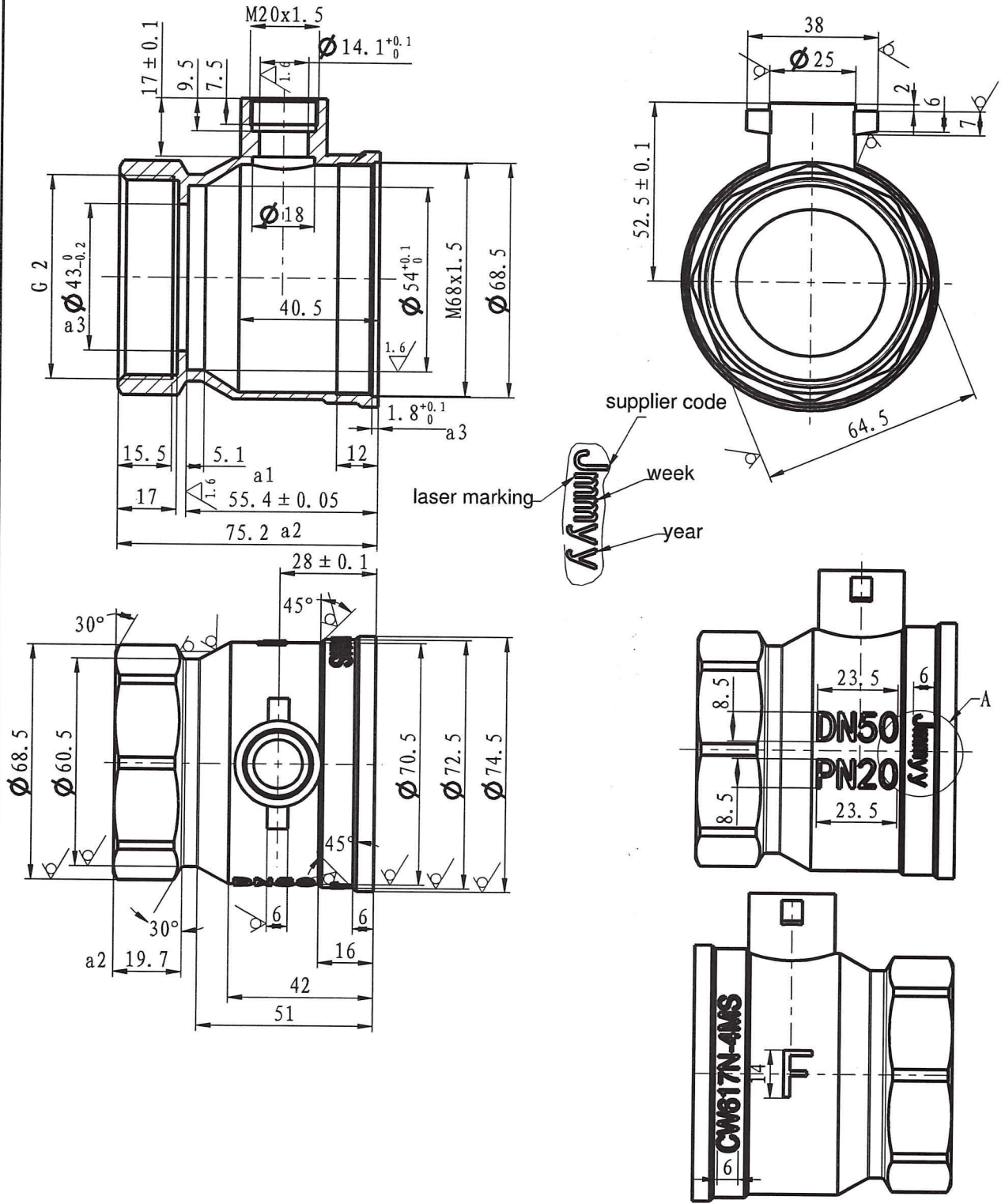
Drawing No.: 10-01207-G40-700D-1220

Material: Q235

Handwritten signature

Produce for Ferro. S.A

> 120-400	± 0.4
> 60-120	± 0.3
> 40-60	± 0.2
> 20-40	± 0.15
> 6-20	± 0.1
≤ 6	± 0.05



≤ 6	± 0.05
> 6-20	± 0.1
> 20-40	± 0.15
> 40-60	± 0.2
> 60-120	± 0.3
> 120-400	± 0.4

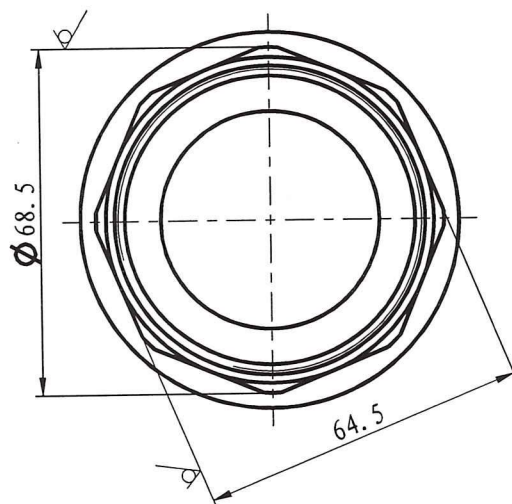
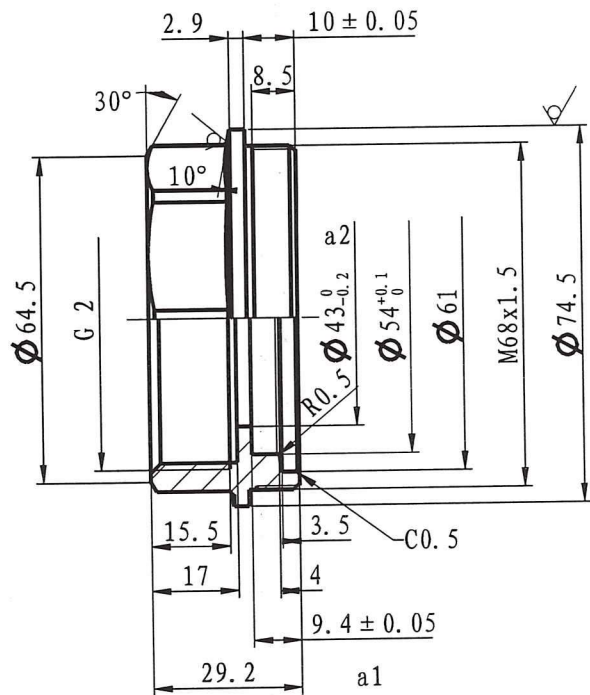
Body

Drawing No.: 10-01500-G50-0R28-1220

Material: CW617N-4MS

Handwritten signature

Produce for Ferro. S.A

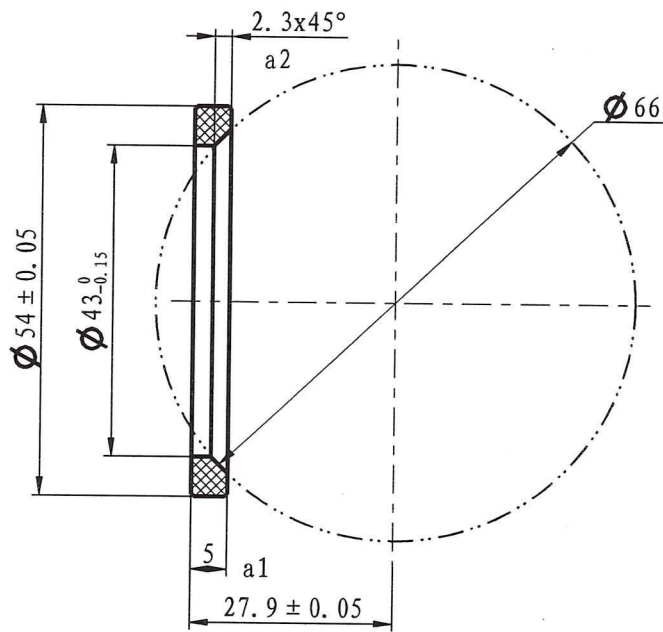


≤ 6	± 0.05
> 6-20	± 0.1
> 20-40	± 0.15
> 40-60	± 0.2
> 60-120	± 0.3
> 120-400	± 0.4

Bonnet
 Drawing No.: 10-01500-G50-1R28
 Material: CW617N-4MS

Intank

Produce for Ferro. S.A

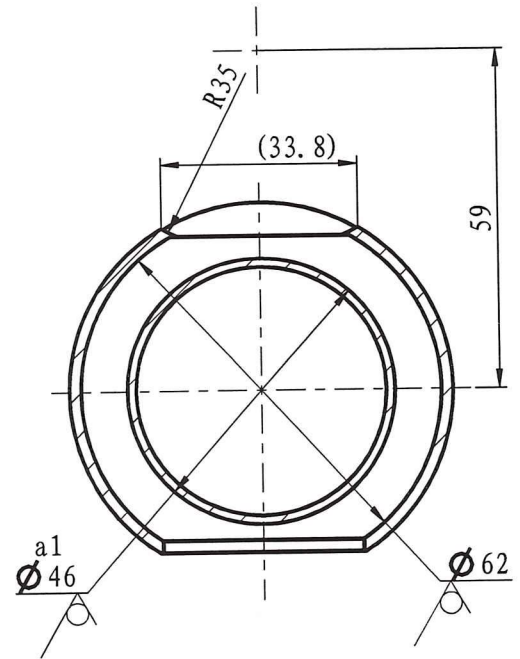
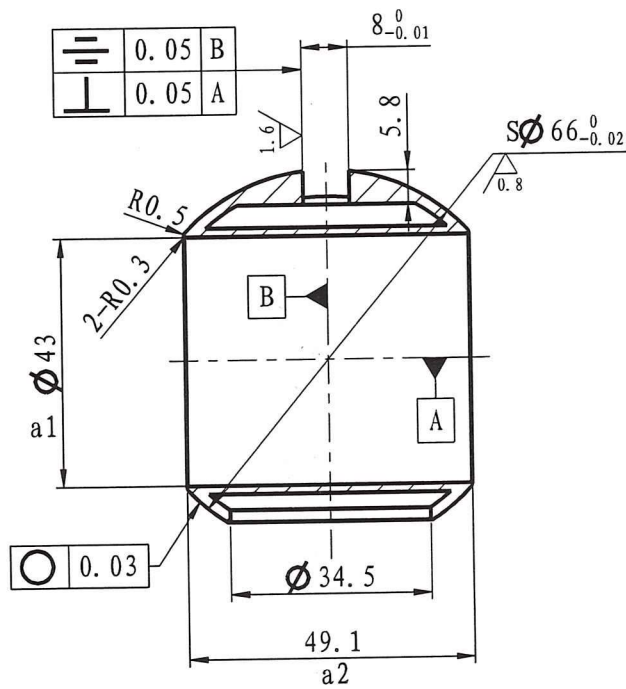


Sealing seat
 Drawing No.: 10-01500-G50-20
 Material: PTFE

Milowh

Produce for Ferro. S.A

≤ 6	> 6-20	> 20-40	> 40-60	> 60-120	> 120-400
± 0.05	± 0.1	± 0.15	± 0.2	± 0.3	± 0.4

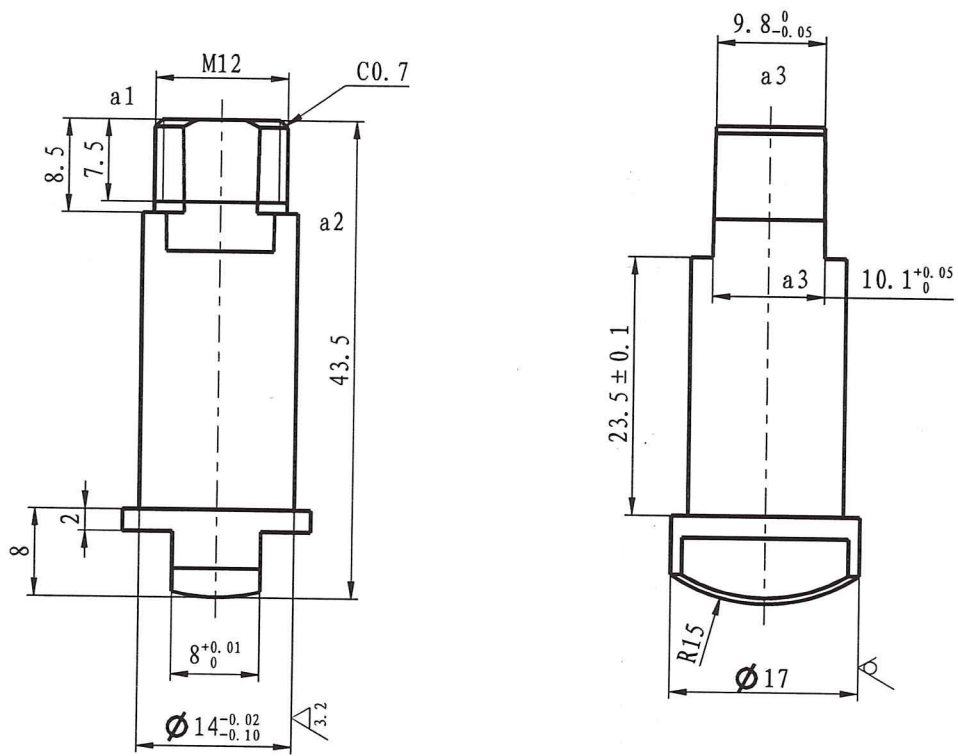


> 120-400	± 0.4
> 60-120	± 0.3
> 40-60	± 0.2
> 20-40	± 0.15
> 6-20	± 0.1
≤ 6	± 0.05

Ball
 Drawing No.: 10-01500-G50-3052
 Material: CW617N-4MS

K. L. L.

Produce for Ferro. S.A



≤ 6	± 0.05
> 6-20	± 0.1
> 20-40	± 0.15
> 40-60	± 0.2
> 60-120	± 0.3
> 120-400	± 0.4

Stem

Drawing No.: 10-01500-G40-4000

Material: CW617N-4MS

Produce for Ferro. S.A

Handwritten signature