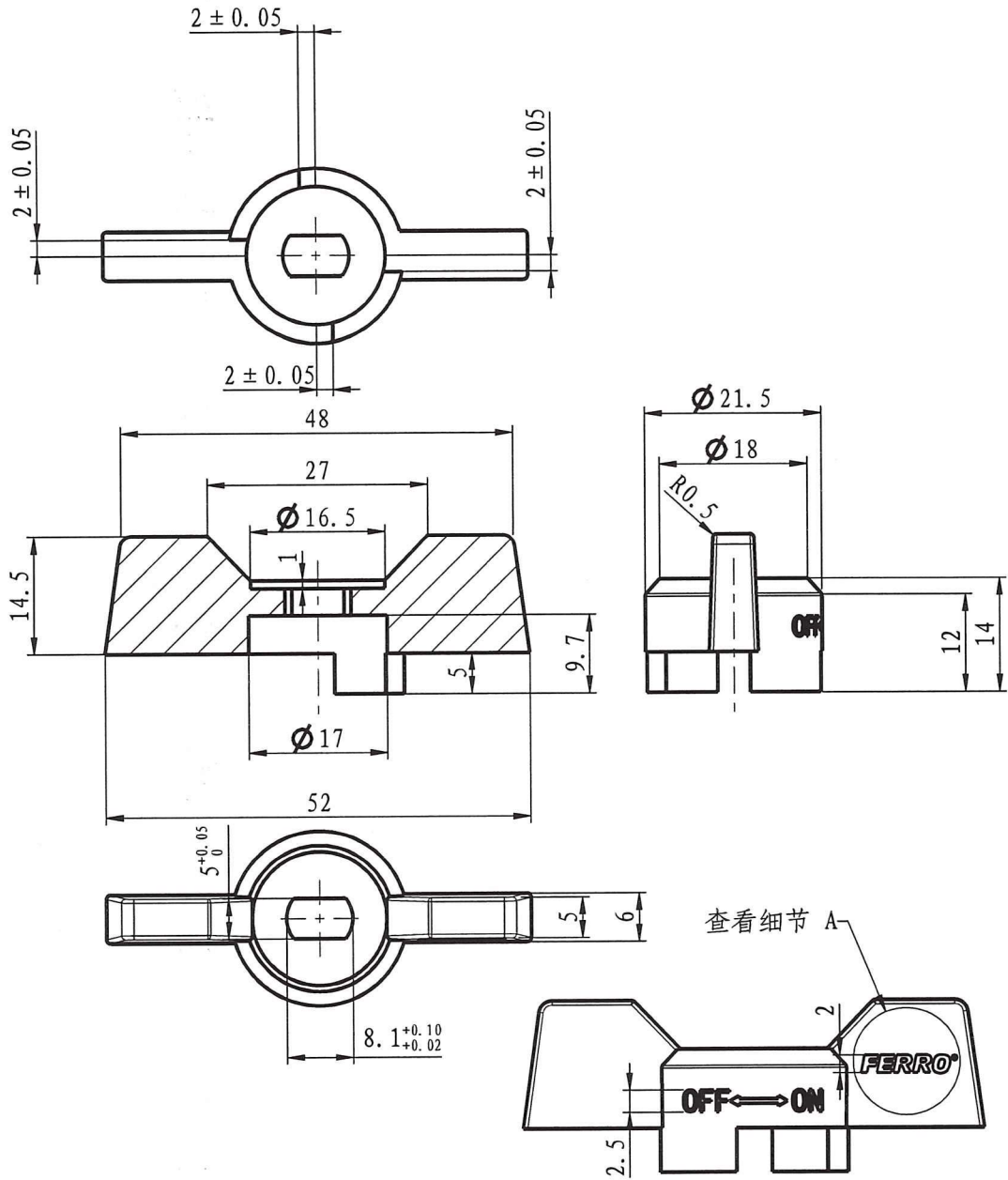


12	10-01501-G15-9028-1220	package		1			
11	10-05175-015-20	sealing seat	PTFE	2	0.7	1.4	
10	10-01516-G15-22	gasket	PTFE	1	0.3	0.3	
9	10-01500-G15-4000	stem	CW617N-4MS	1	9.6	9.6	
8	10-01500-G15-3052	ball	CW617N-4MS	1	17.5	17.5	
7	10-01500-G15-1R28	bonnet	CW617N-4MS	1	30.1	30	
6	10-01500-G15-0R28-1220	body	CW617N-4MS	1	58.6	58.6	
5	10-01407-R15-7663	rubber sleeve-blue	VMQ (硅胶)	1	0.2	0.2	
4	10-01407-R15-7660	rubber sleeve-red	VMQ (硅胶)	1	0.2	0.2	
3	10-01400-G15-6200	nut	stainless steel	1	2.7	2.7	
2	10-01207-G15-7360-1220	handle	AL	1	10.6	10.6	
1	10-01207-G15-5000	press nut	CW617N-4MS	1	2.7	2.7	
No	Drawing No	Name	Material	QTY	pc	total	
					Weight/g		

KFCM1
 Drawing No.: 10-01501-G15-CP28-1220
 Weight: 134g
FERRO S.A.
 32-050 Skawina ul. Przemysłowa 7
 REGON 355275388, NIP 944-20-51-646

Produce for Ferro. S.A



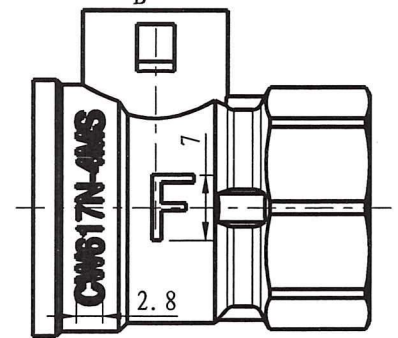
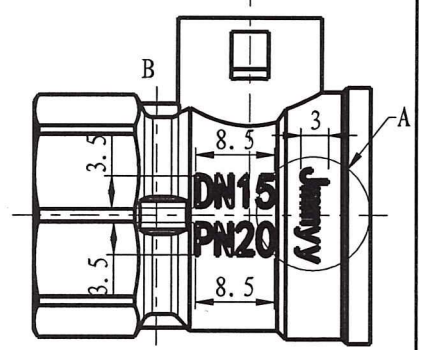
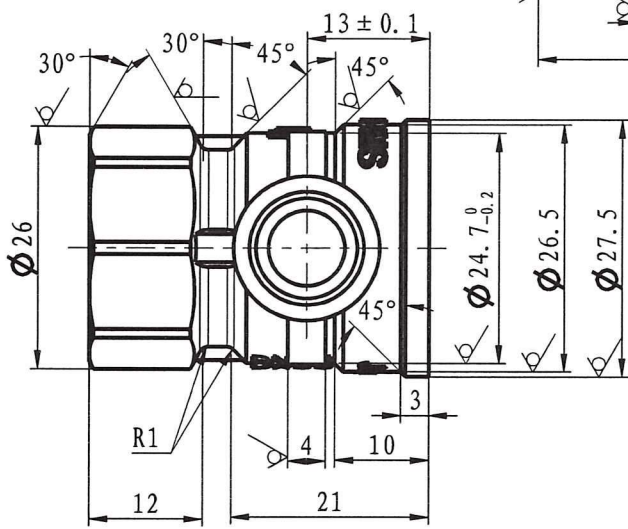
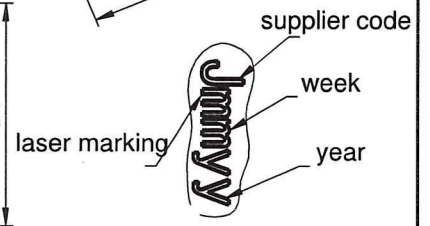
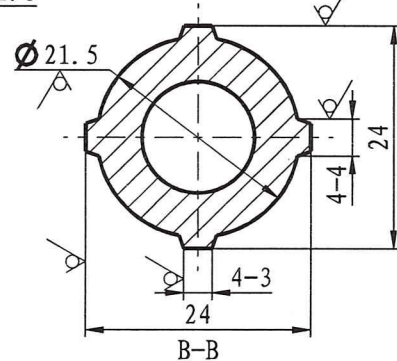
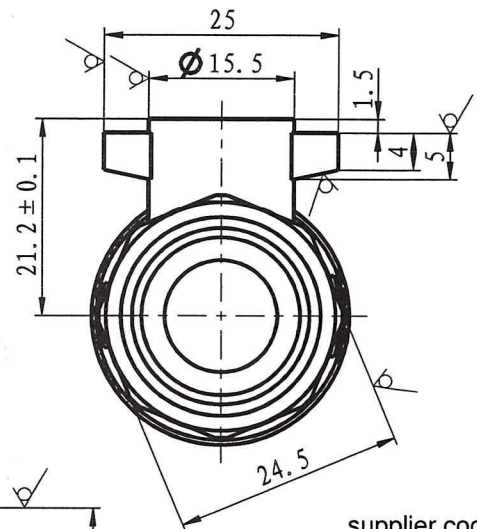
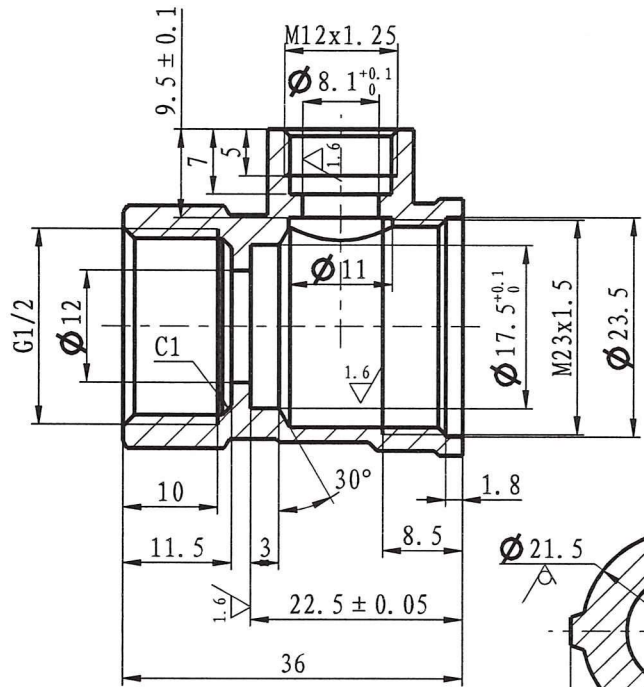
查看细节 A



Handle
 Drawing No.: 10-01207-G15-7360-1220
 Material: Aluminum

Handwritten signature

Produce for Ferro. S.A

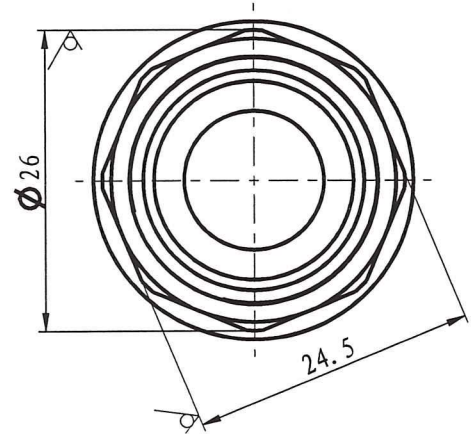
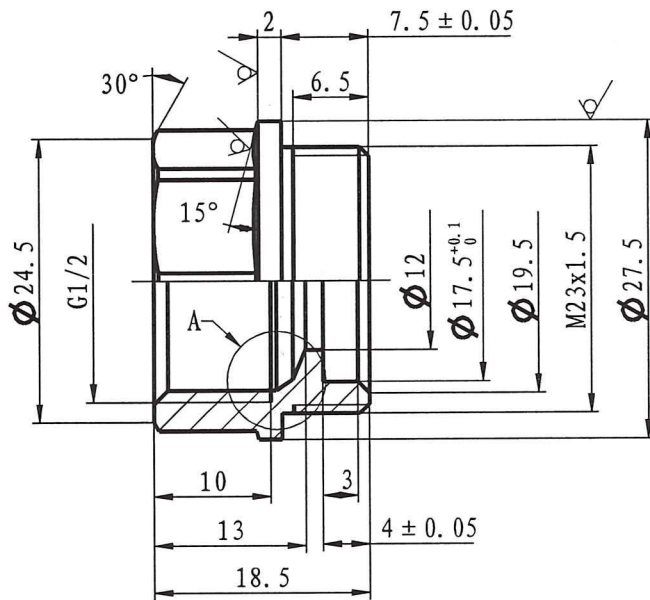


≤ 6	± 0.05
> 6-20	± 0.1
> 20-40	± 0.15
> 40-60	± 0.2
> 60-120	± 0.3
> 120-400	± 0.4

Body
 Drawing No.: 10-01500-G15-0R28-1220
 Material: CW617n-4MS

lulank

Produce for Ferro. S.A

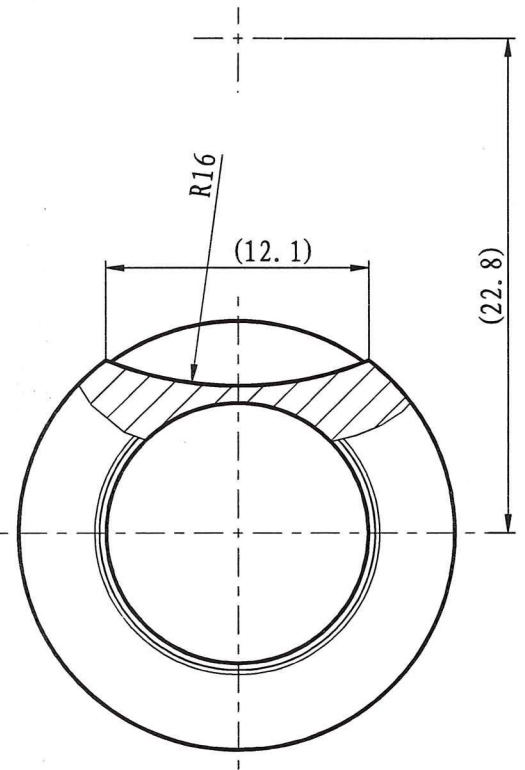
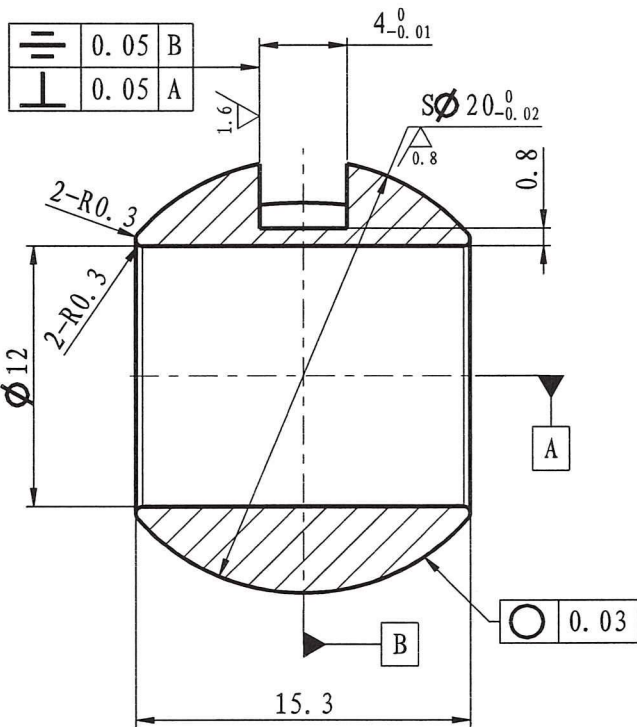


Bonnet
 Drawing No.: 10-01500-G15-1R28
 Material: CW617n-4MS

Inlowh

Produce for Ferro. S.A

≤ 6	± 0.05
> 6-20	± 0.1
> 20-40	± 0.15
> 40-60	± 0.2
> 60-120	± 0.3
> 120-400	± 0.4

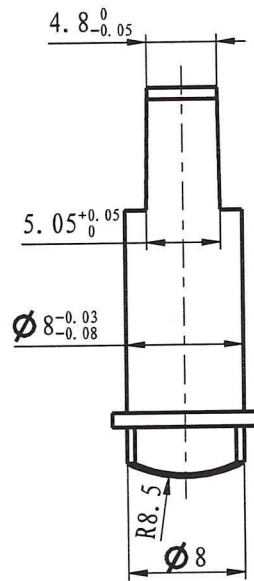
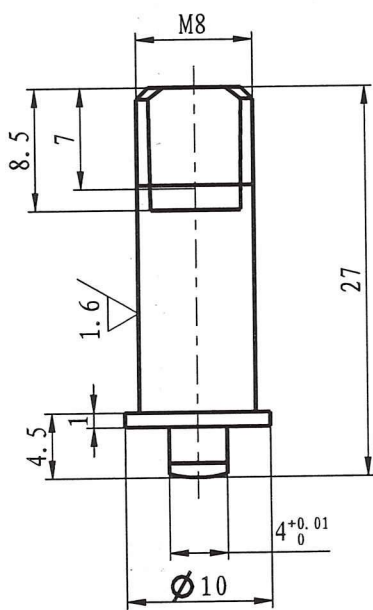


≤ 6	± 0.05
$> 6-20$	± 0.1
$> 20-40$	± 0.15
$> 40-60$	± 0.2
$> 60-120$	± 0.3
$> 120-400$	± 0.4

Ball
 Drawing No.: 10-01500-G15-3052
 Material: CW617n-4MS

Inlowd

Produce for Ferro. S.A



≤ 6	± 0.05
> 6-20	± 0.1
> 20-40	± 0.15
> 40-60	± 0.2
> 60-120	± 0.3
> 120-400	± 0.4

Stem

Drawing No.: 10-01500-G15-4000

Material: CW617n-4MS

Handwritten signature

Produce for Ferro. S.A