

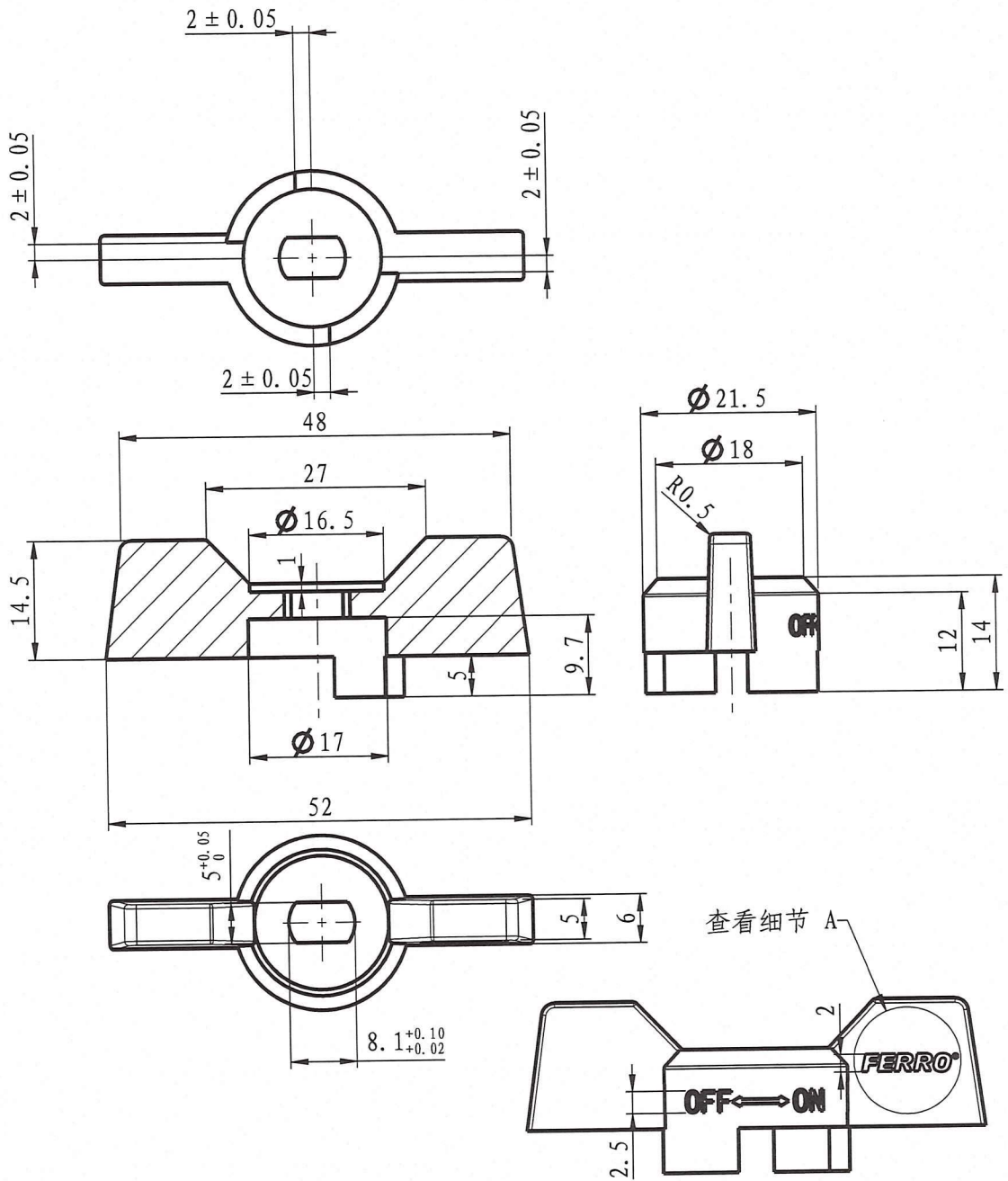
| | | | | | | |
|----|------------------------|--------------------|-----------------|-----|----------|-------|
| 12 | 10-03501-G15-902N-1220 | package | | 1 | | |
| 11 | 10-05175-015-20 | sealing seat | PTFE | 2 | 0.7 | 1.4 |
| 10 | 10-02500-G15-1R2N | bonnet | CW617N-4MS | 1 | 39.7 | 39.7 |
| 9 | 10-01516-G15-22 | gasket | PTFE | 1 | 0.3 | 0.3 |
| 8 | 10-01500-G15-4000 | stem | CW617N-4MS | 1 | 9.6 | 9.6 |
| 7 | 10-01500-G15-3052 | ball | CW617N-4MS | 1 | 17.5 | 17.5 |
| 6 | 10-01500-G15-0R28-1220 | body | CW617N-4MS | 1 | 58.6 | 58.6 |
| 5 | 10-01407-R15-7663 | rubber sleeve-blue | VMQ (硅胶) | 1 | 0.2 | 0.2 |
| 4 | 10-01407-R15-7660 | rubber sleeve-red | VMQ (硅胶) | 1 | 0.2 | 0.2 |
| 3 | 10-01400-G15-6200 | nut | stainless steel | 1 | 2.7 | 2.7 |
| 2 | 10-01207-G15-7360-1220 | handle | AL | 1 | 10.6 | 10.6 |
| 1 | 10-01207-G15-5000 | press nut | CW617N-4MS | 1 | 2.7 | 2.7 |
| No | Drawing No | Name | Material | QTY | pc | total |
| | | | | | Weight/g | |

Produce for Ferro. S.A

KFCM11
 Drawing No.: 10-03501-G15-CP2N-1220
 Weight: 143.5g

"FERRO" S.A.
 32-050 Skawina ul. Przemysłowa 7
 REGON 356375388, NIP 944-20-51-648
 (15)

hlosh



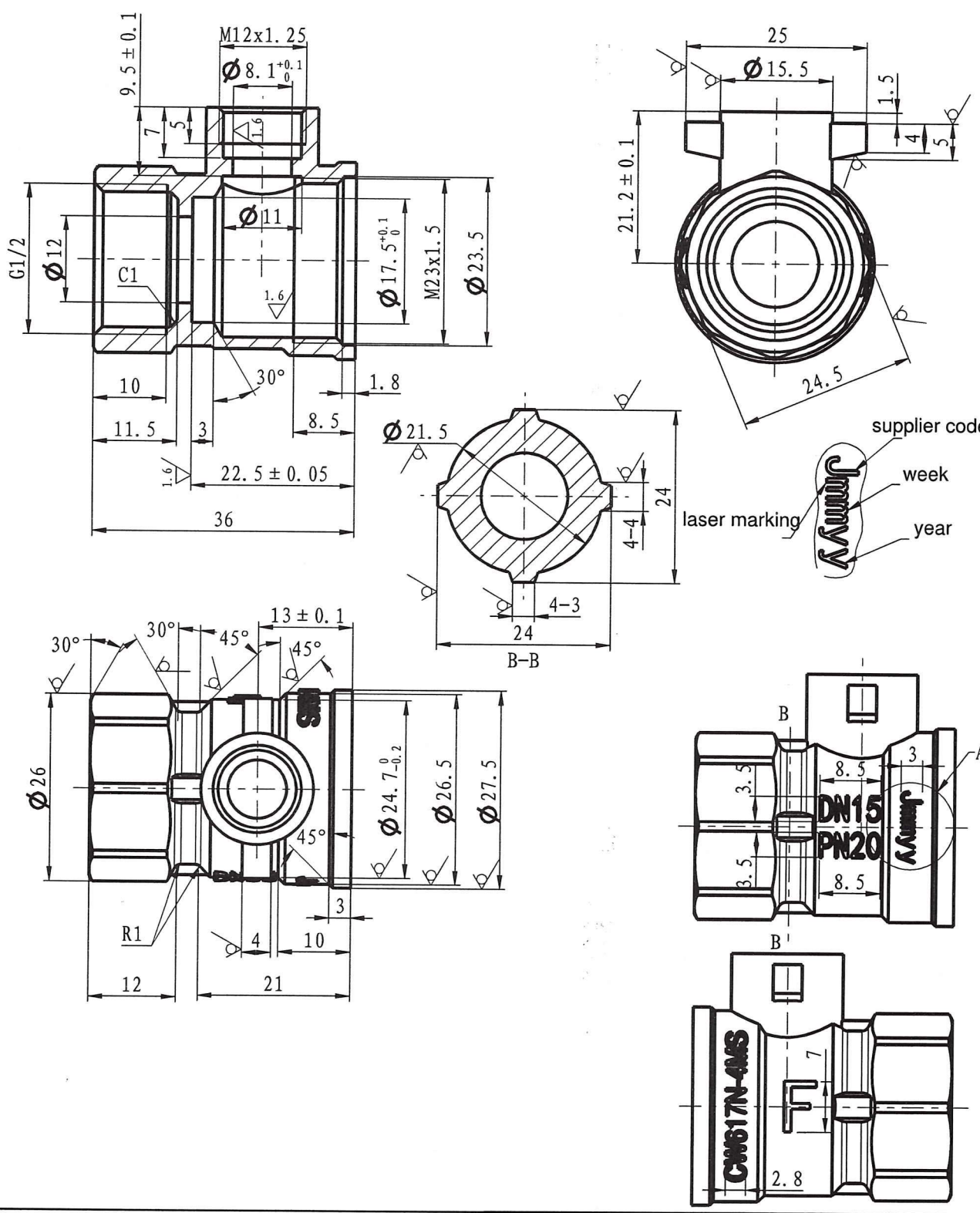
查看细节 A



Handle
 Drawing No.: 10-01207-G15-7360-1220
 Material: Aluminum

Handwritten signature

Produce for Ferro. S.A

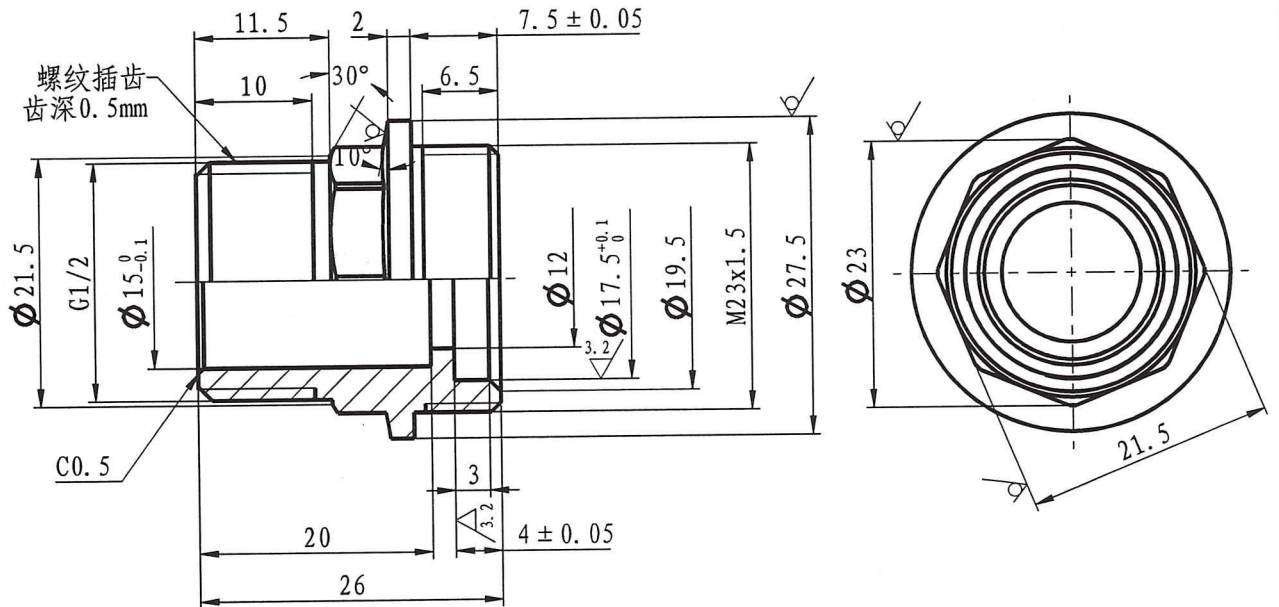


| | |
|-----------|-----------------------|
| ≤ 6 | ± 0.05 |
| > 6-20 | ± 0.1 |
| > 20-40 | ± 0.15 |
| > 40-60 | ± 0.2 |
| > 60-120 | ± 0.3 |
| > 120-400 | ± 0.4 |

Body
 Drawing No.: 10-01500-G15-0R28-1220
 Material: CW617n-4MS

hlswh

Produce for Ferro. S.A



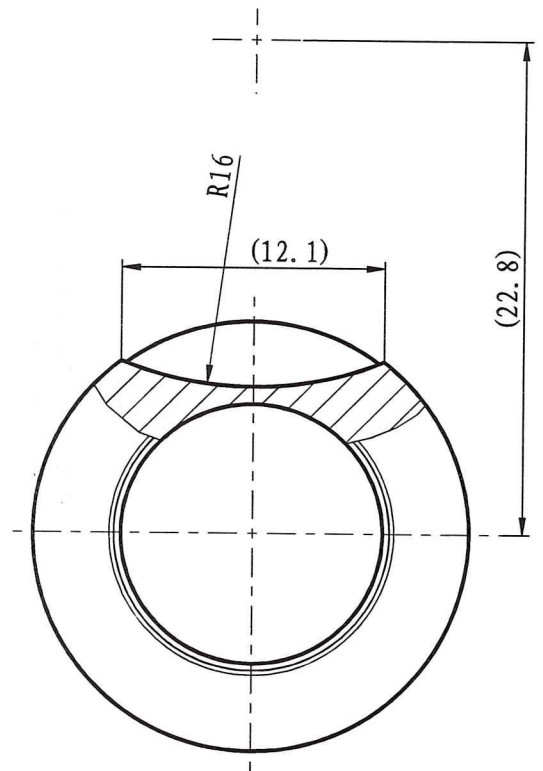
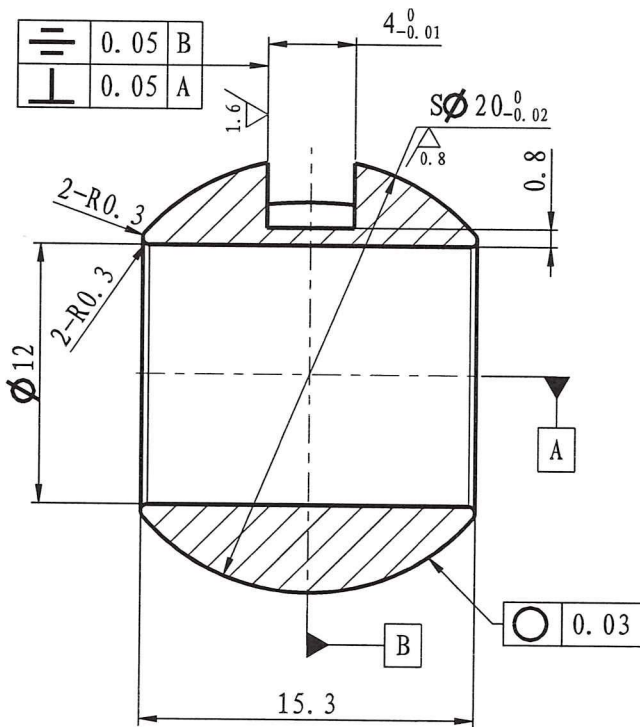
Bonnet

Drawing No.: 10-01500-G15-1R2N

Material: CW617n-4MS

blow

Produce for Ferro. S.A

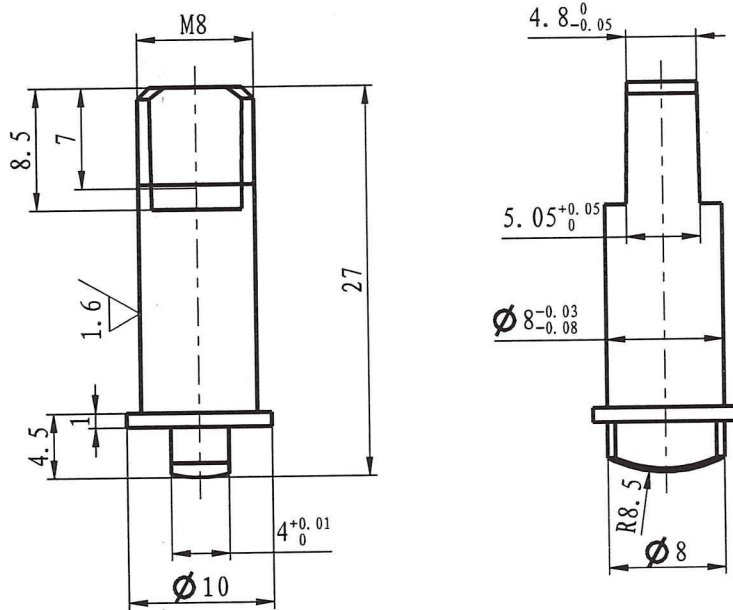


| | |
|------------------------|-----------------------|
| ≤ 6 | ± 0.05 |
| $> 6-20$ | ± 0.1 |
| $> 20-40$ | ± 0.15 |
| $> 40-60$ | ± 0.2 |
| $> 60-120$ | ± 0.3 |
| $> 120-400$ | ± 0.4 |

Ball
 Drawing No.: 10-01500-G15-3052
 Material: CW617n-4MS

hmark

Produce for Ferro. S.A



Stem

Drawing No.: 10-01500-G15-4000

Material: CW617n-4MS

Inlown

Produce for Ferro. S.A