

12	10-03501-G20-902N-1220	package		1		
11	10-02500-G20-1R2N	bonnet	CW617N-4MS	1	61.9	61.9
10	10-01516-G15-22	gasket	PTFE	1	0.3	0.3
9	10-01500-G20-3052	ball	CW617N-4MS	1	38.6	38.6
8	10-01500-G20-20	sealing seat	PTFE	2	1.2	2.4
7	10-01500-G20-0R28-1220	body	CW617N-4MS	1	90	90
6	10-01500-G15-4000	stem	CW617N-4MS	1	9.6	9.6
5	10-01407-R15-7663	rubber sleeve-blue	VMQ (硅胶)	1	0.2	0.2
4	10-01407-R15-7660	rubber sleeve-red	VMQ (硅胶)	1	0.2	0.2
3	10-01400-G15-6200	nut	stainless steel	1	2.7	2.7
2	10-01207-G15-7360-1220	handle	AL	1	10.6	10.6
1	10-01207-G15-5000	press nut	CW617N-4MS	1	2.7	2.7
No	Drawing No	Name	Material	QTY	pc	total
					Weight/g	

KFCM21

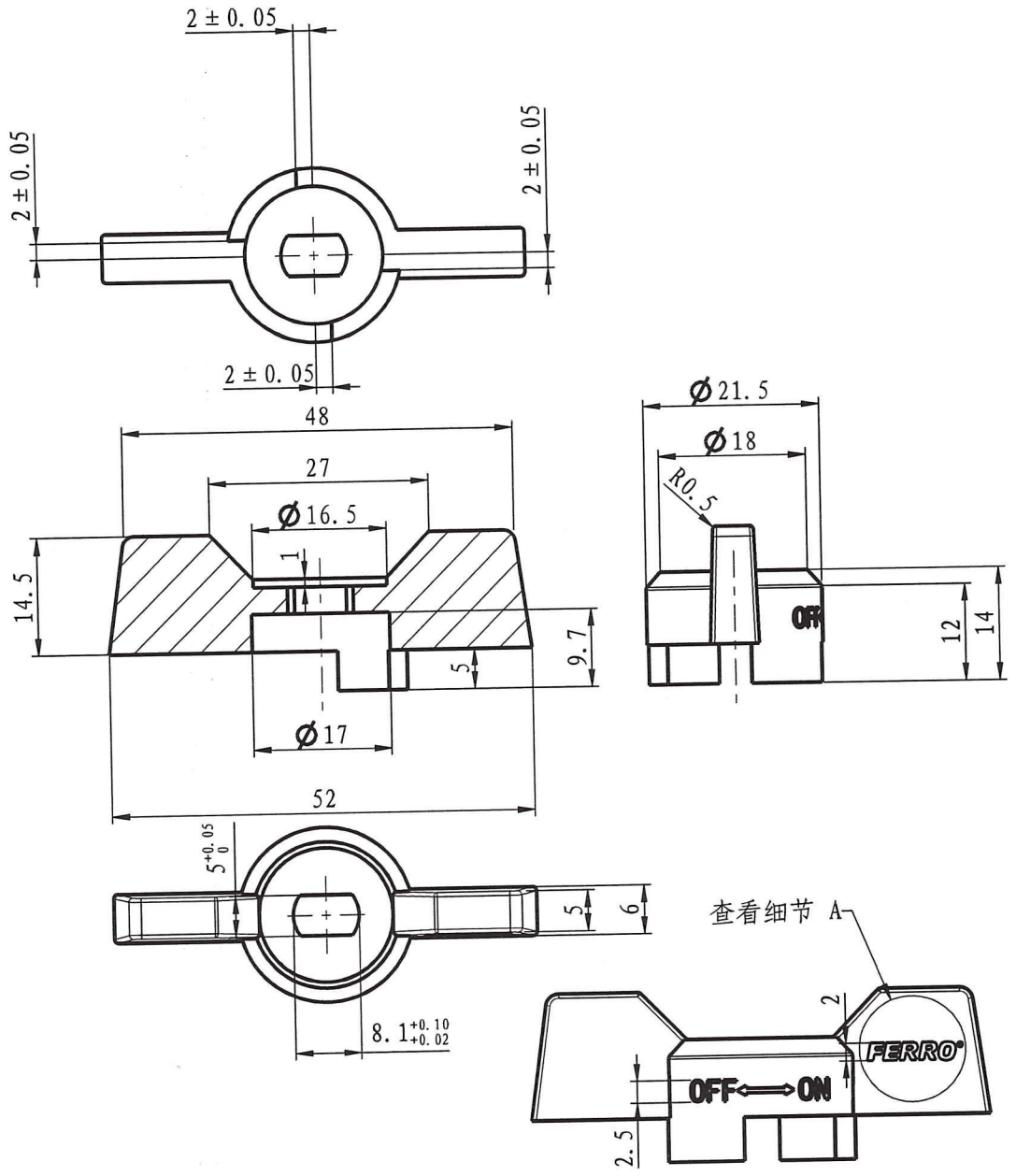
Drawing No.: 10-03501-G20-902N-1220

Weight: 219g

32-050 Skawina ul. Przemysłowa 7
REGON 145275398 NIP 044-20-51-646

Wolff

Produce for Ferro. S.A

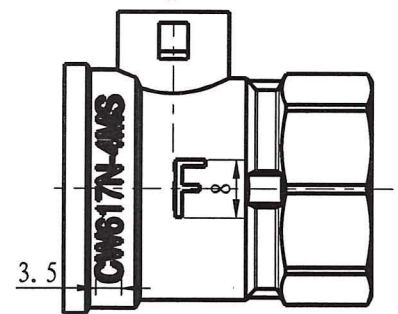
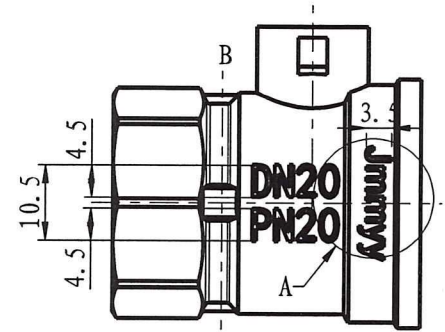
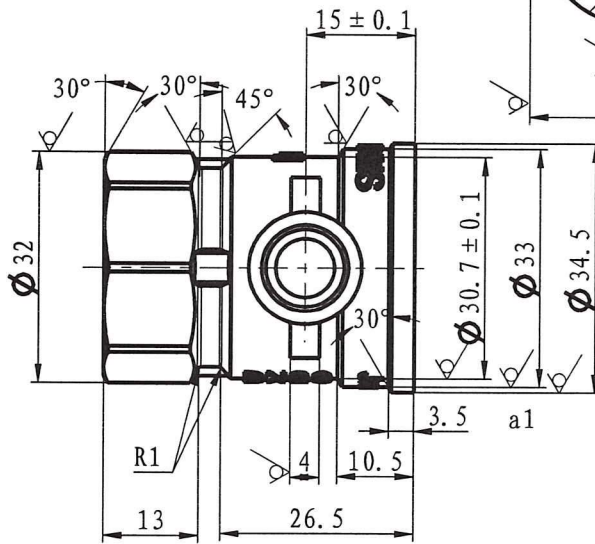
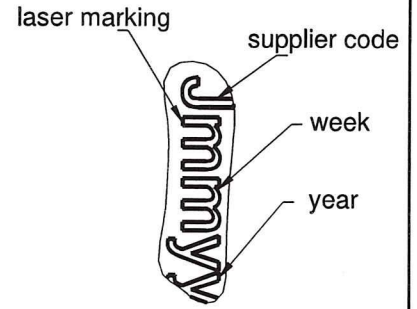
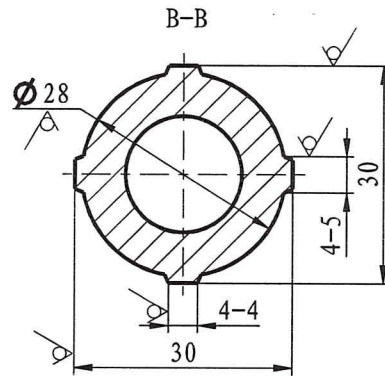
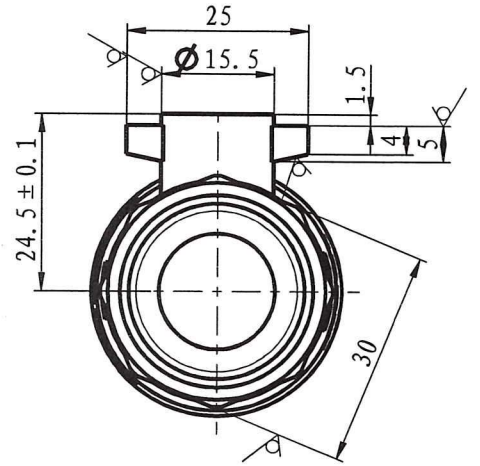
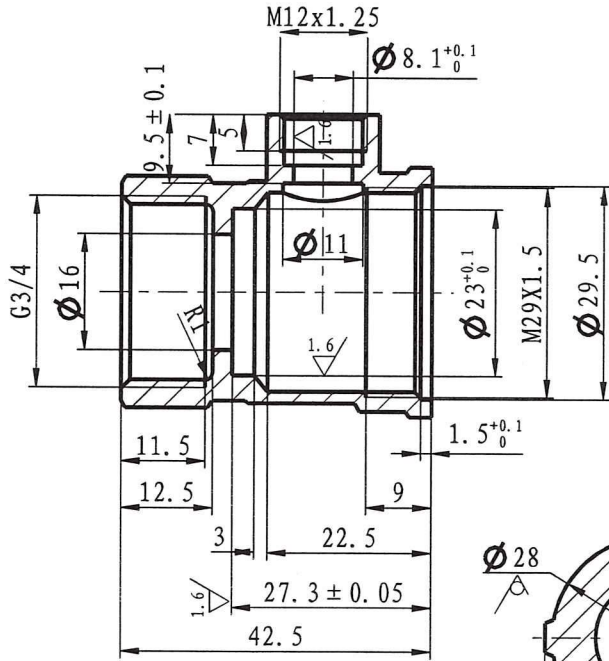


Handle
 Drawing No.: 10-01207-G15-7360-1220
 Material: Aluminum

Handwritten signature

Produce for Ferro. S.A

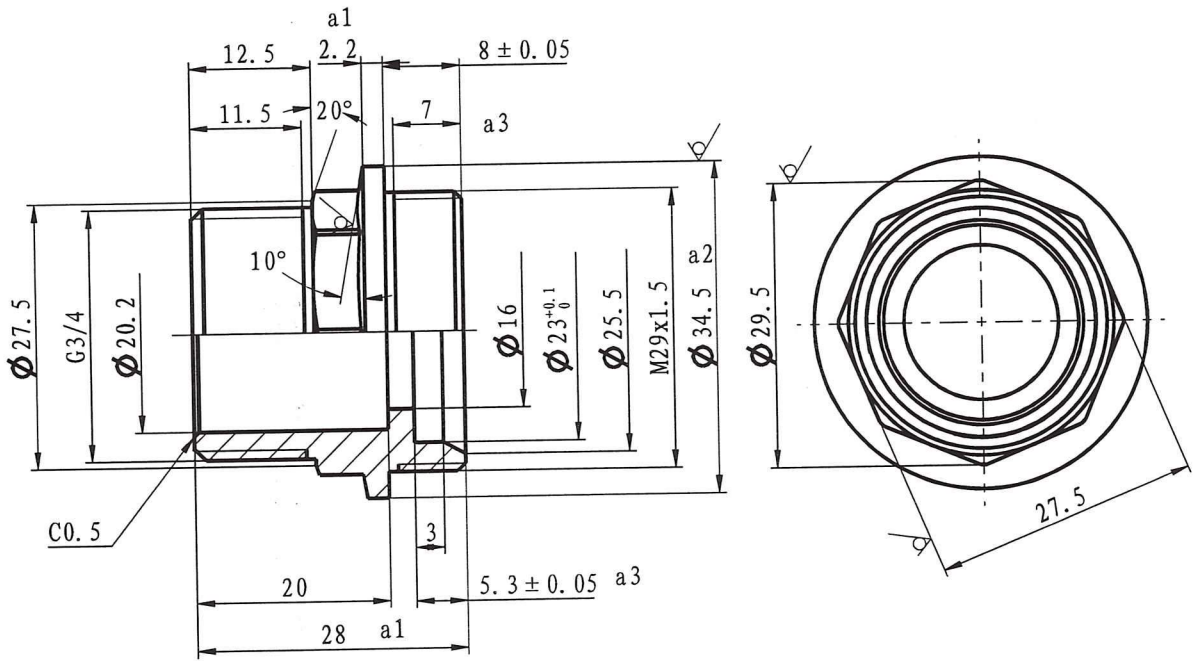
≤ 6	± 0.05
> 6-20	± 0.1
> 20-40	± 0.15
> 40-60	± 0.2
> 60-120	± 0.3
> 120-400	± 0.4



Body
 Drawing No.: 10-01500-G20-0R28-1220
 Material: CW617n-4MS

Produce for Ferro. S.A

hland

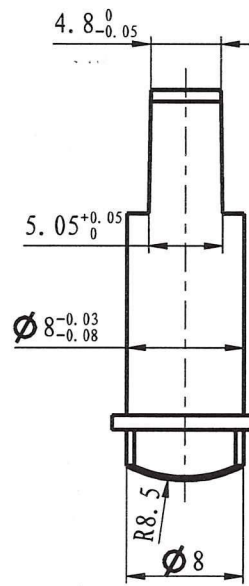
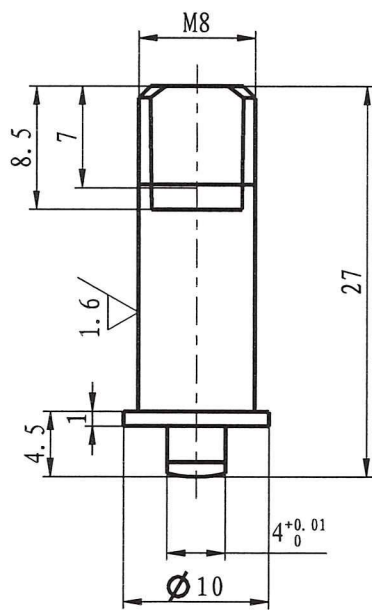


≤ 6	± 0.05
> 6-20	± 0.1
> 20-40	± 0.15
> 40-60	± 0.2
> 60-120	± 0.3
> 120-400	± 0.4

Bonnet
 Drawing No.: 10-02500-G20-1R2N
 Material: CW617N-4MS

hulowh

Produce for Ferro. S.A



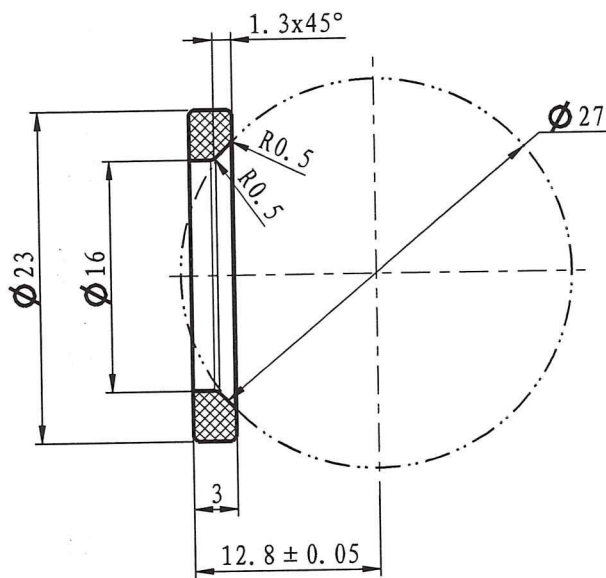
Stem

Drawing No.: 10-01500-G15-4000

Material: CW617n-4MS

lulowh

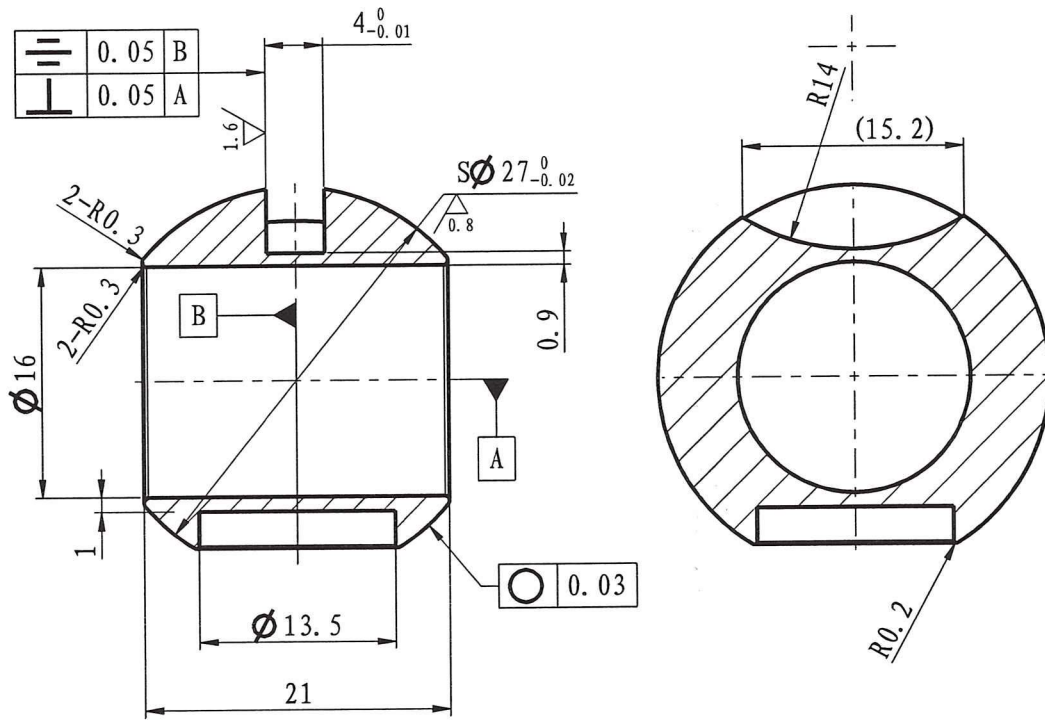
Produce for Ferro. S.A



Sealing seat
 Drawing No.: 10-01500-G20-20
 Material: PTFE

Inlow

Produce for Ferro. S.A



≤ 6	± 0.05
> 6-20	± 0.1
> 20-40	± 0.15
> 40-60	± 0.2
> 60-120	± 0.3
> 120-400	± 0.4

Ball
 Drawing No.: 10-01500-G20-3052
 Material: CW617n-4MS

h/lowh

Produce for Ferro. S.A