

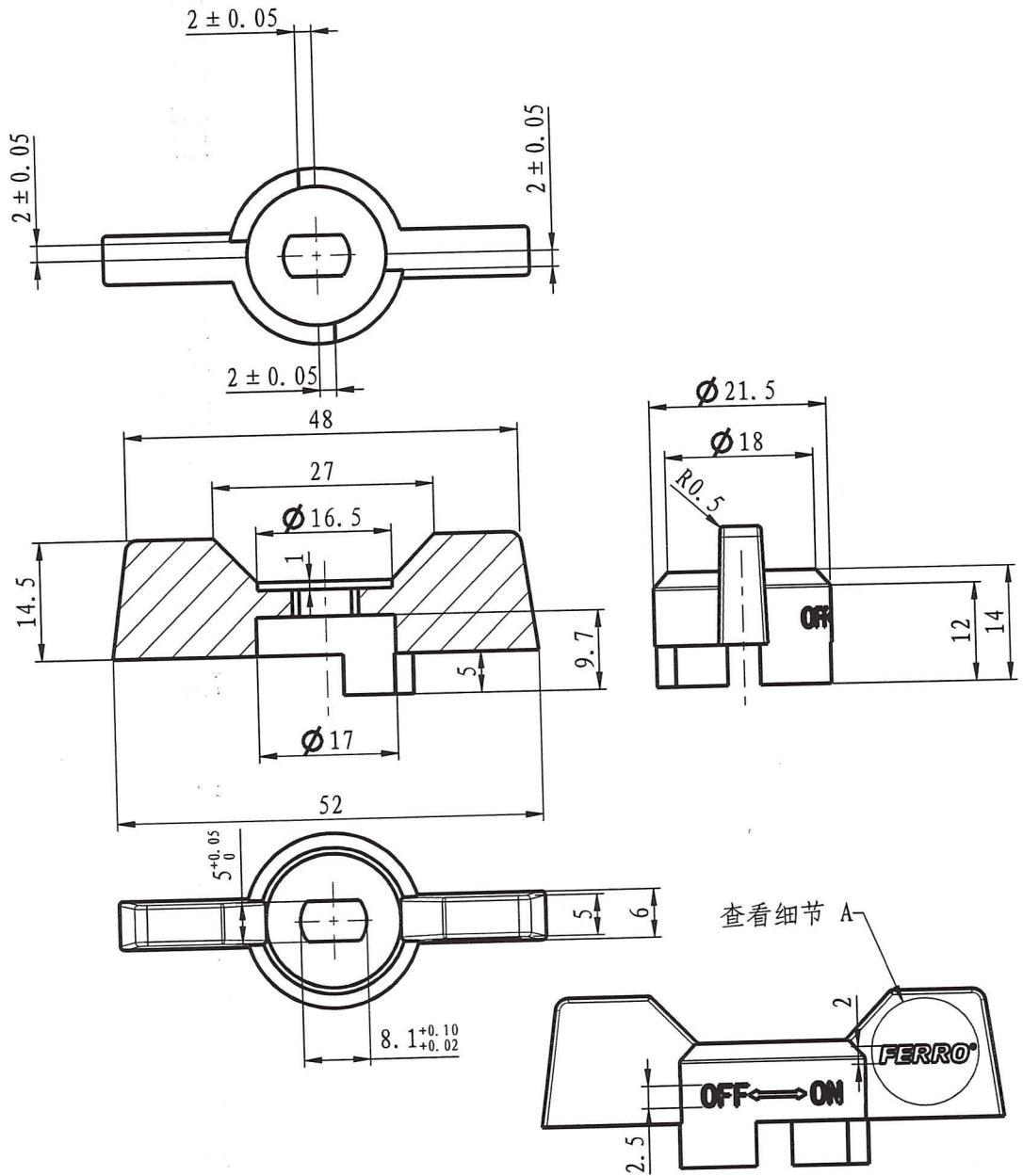
15	10-06500-G20-9028-1220	package		1		
14	10-06517-G20-21	o-ring	NBR	1	0.5	0.5
13	10-06500-G20-542M	fixing pipe	CW617N-4MS	1	45.2	45.2
12	10-06500-G20-0R28-1220	body	CW617N-4MS	1	85.5	85.5
11	10-06207-R20-5628	fixing nut	CW617N-4MS	1	35.5	35.5
10	10-01516-G15-22	gasket	PTFE	1	0.3	0.3
9	10-01500-G20-3052	ball	CW617N-4MS	1	38.6	38.6
8	10-01500-G20-20	sealing seat	PTFE	2	1.2	2.4
7	10-01500-G20-1R28	bonnet	CW617N-4MS	1	48.5	48.5
6	10-01500-G15-4000	stem	CW617N-4MS	1	9.6	9.6
5	10-01407-R15-7663	rubber sleeve-blue	VMQ (硅胶)	1	0.2	0.2
4	10-01407-R15-7660	rubber sleeve-red	VMQ (硅胶)	1	0.2	0.2
3	10-01400-G15-6200	nut	stainless steel	1	2.7	2.7
2	10-01207-G15-7360-1220	handle	AL	1	10.6	10.6
1	10-01207-G15-5000	press nut	CW617N-4MS	1	2.7	2.7
No	Drawing No	Name	Material	QTY	pc	total
					Weight/g	

KFCS2
Drawing No.: 10-06500-G20-CP28-1220
Weight: 282.5g

FERRO S.A.
 32-050 Skawina ul. Przemysłowa 7
 REGON 356375388, NIP 944-20-51-648

M. W. (15)

Produce for Ferro. S.A



查看细节 A

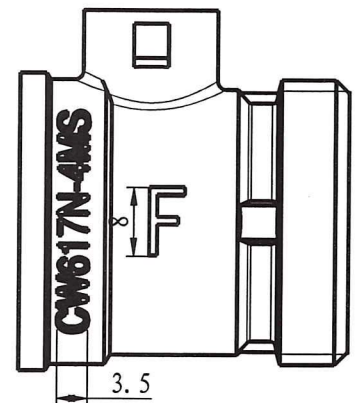
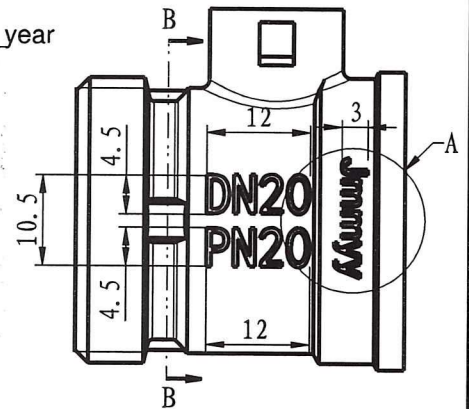
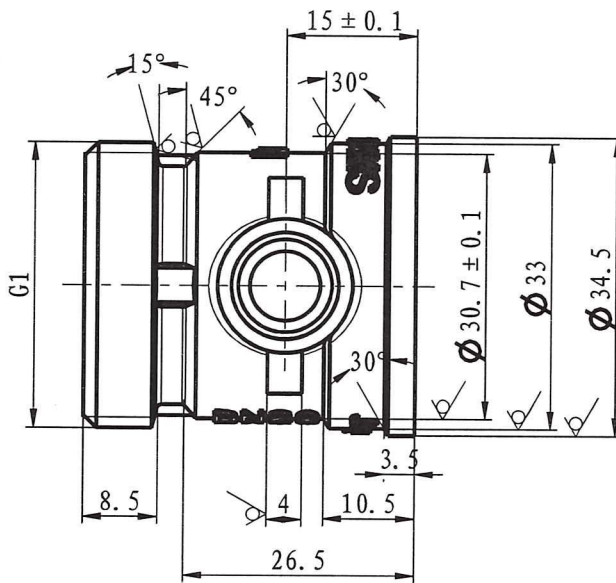
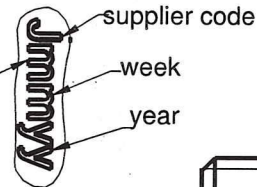
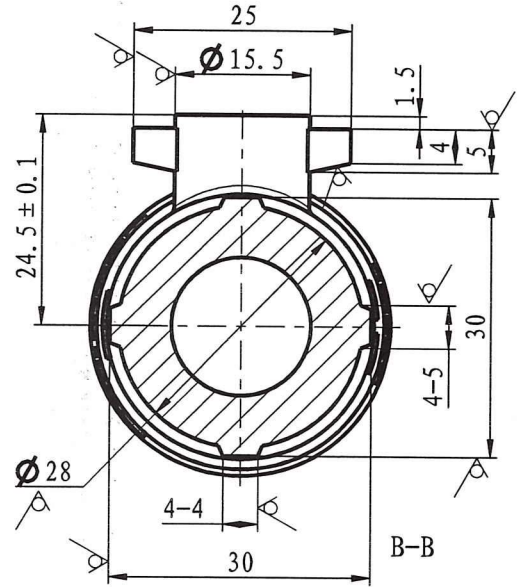
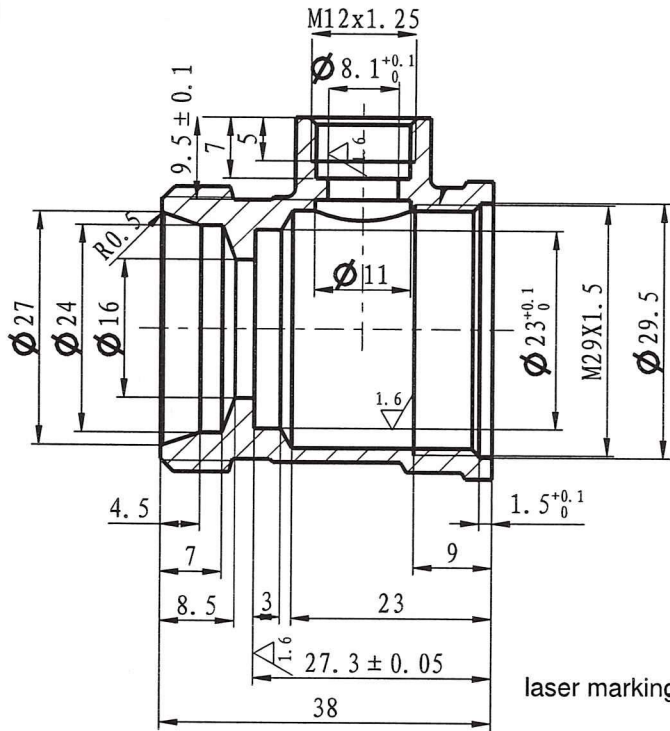


Handle
 Drawing No.: 10-01207-G15-7360-1220
 Material: Aluminum

ink

Produce for Ferro. S.A

≤ 6	± 0.05	$> 6-20$	± 0.1	$> 20-40$	± 0.15	$> 40-60$	± 0.2	$> 60-120$	± 0.3	$> 120-400$	± 0.4
----------	------------	----------	-----------	-----------	------------	-----------	-----------	------------	-----------	-------------	-----------

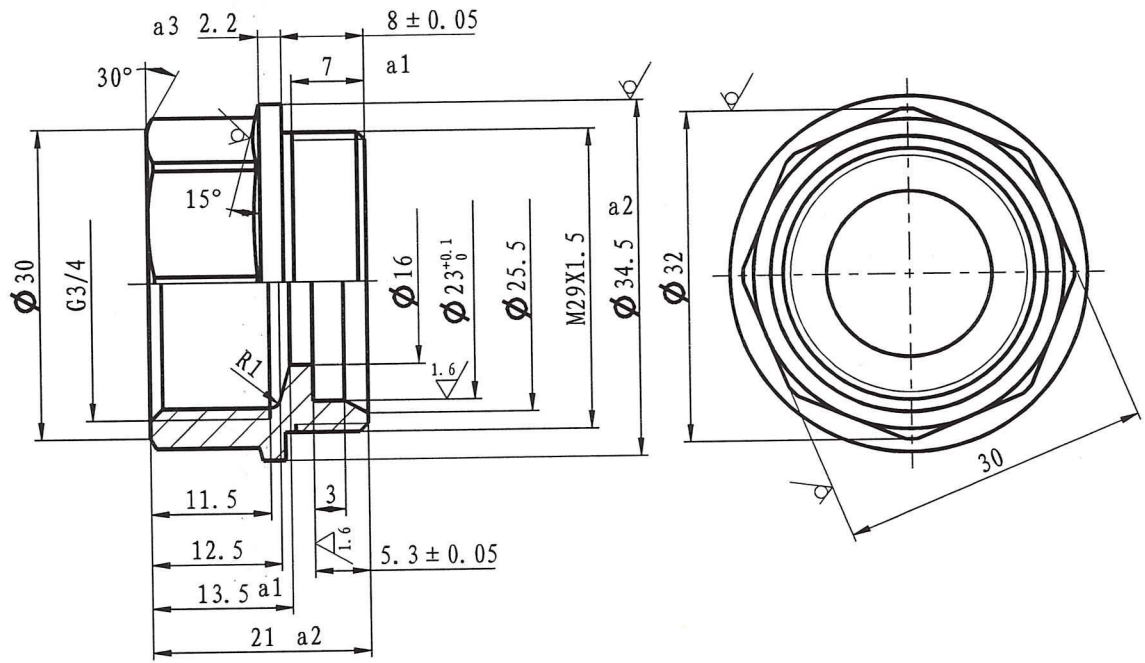


Body
 Drawing No.: 10-06500-G20-0R28-1220
 Material: CW617N-4MS

Intouch

Produce for Ferro. S.A

≤6	±0.05
>6-20	±0.1
>20-40	±0.15
>40-60	±0.2
>60-120	±0.3
>120-400	±0.4

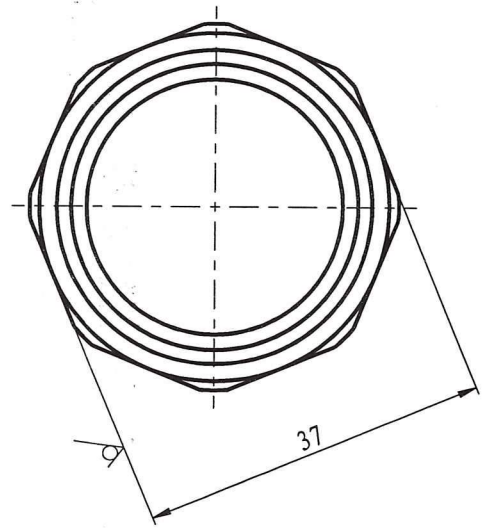
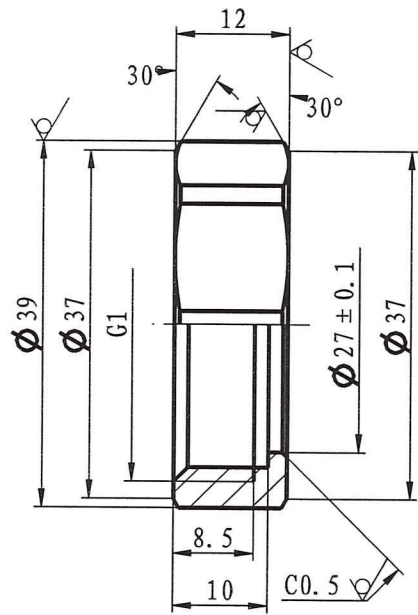


≤ 6	± 0.05
> 6-20	± 0.1
> 20-40	± 0.15
> 40-60	± 0.2
> 60-120	± 0.3
> 120-400	± 0.4

Bonnet
 Drawing No.: 10-01500-G20-1R28
 Material: CW617n-4MS

Indonk

Produce for Ferro. S.A



Fixing nut

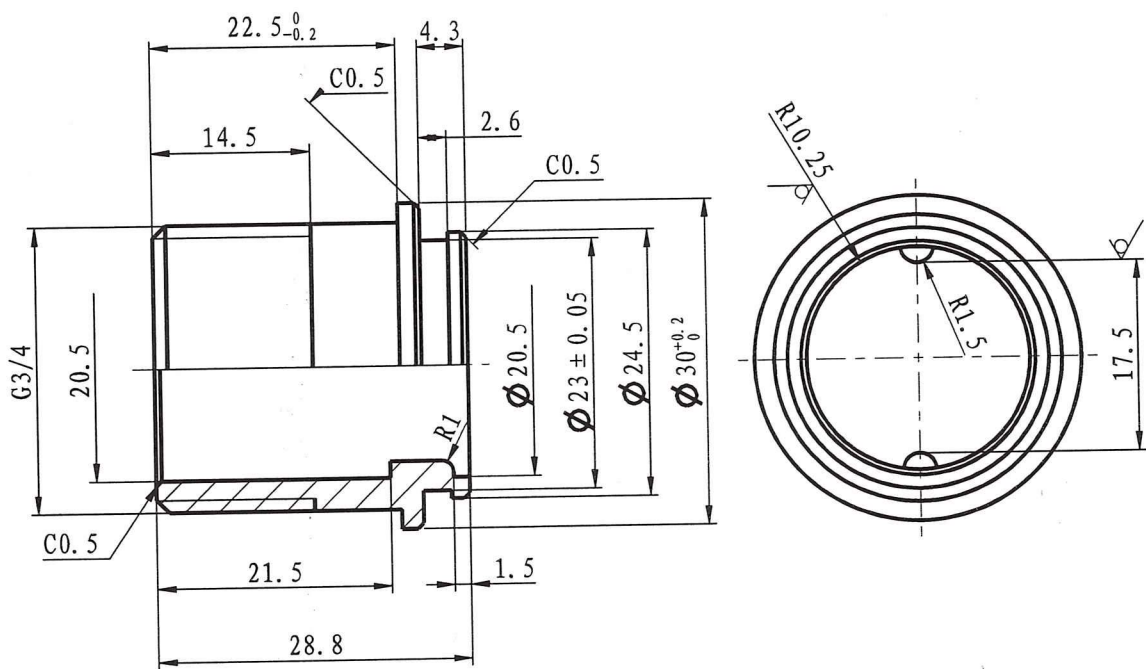
Drawing No.: 10-06207-R20-5628

Material: CW617N-4MS

Indawh

Produce for Ferro. S.A

≤ 6	± 0.05
> 6-20	± 0.1
> 20-40	± 0.15
> 40-60	± 0.2
> 60-120	± 0.3
> 120-400	± 0.4

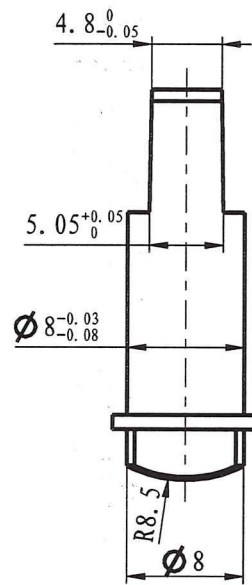
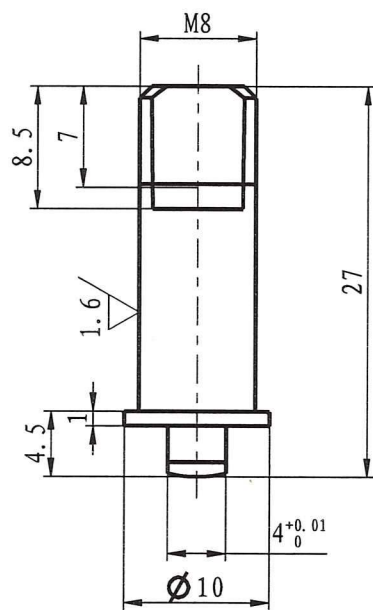


公差	≤ 6	> 6-20	> 20-40	> 40-60	> 60-120	> 120-400
	± 0.05	± 0.1	± 0.15	± 0.2	± 0.3	± 0.4

Fixing pipe
 Drawing No.: 10-06500-G20-542M
 Material: CW617N-4MS

hukow

Produce for Ferro. S.A



Stem

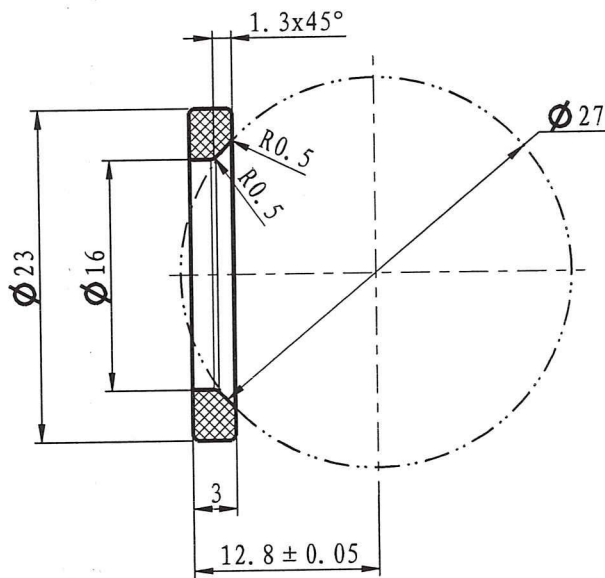
Drawing No.: 10-01500-G15-4000

Material: CW617n-4MS

Handwritten signature

Produce for Ferro. S.A

≤ 6	> 6-20	> 20-40	> 40-60	> 60-120	> 120-400
± 0.05	± 0.1	± 0.15	± 0.2	± 0.3	± 0.4



< 6	< 6-20	> 20-40	> 40-60	> 60-120	> 120-400
± 0.05	± 0.1	± 0.15	± 0.2	± 0.3	± 0.4

Sealing seat
 Drawing No.: 10-01500-G20-20
 Material: PTFE

hulowh

Produce for Ferro. S.A

