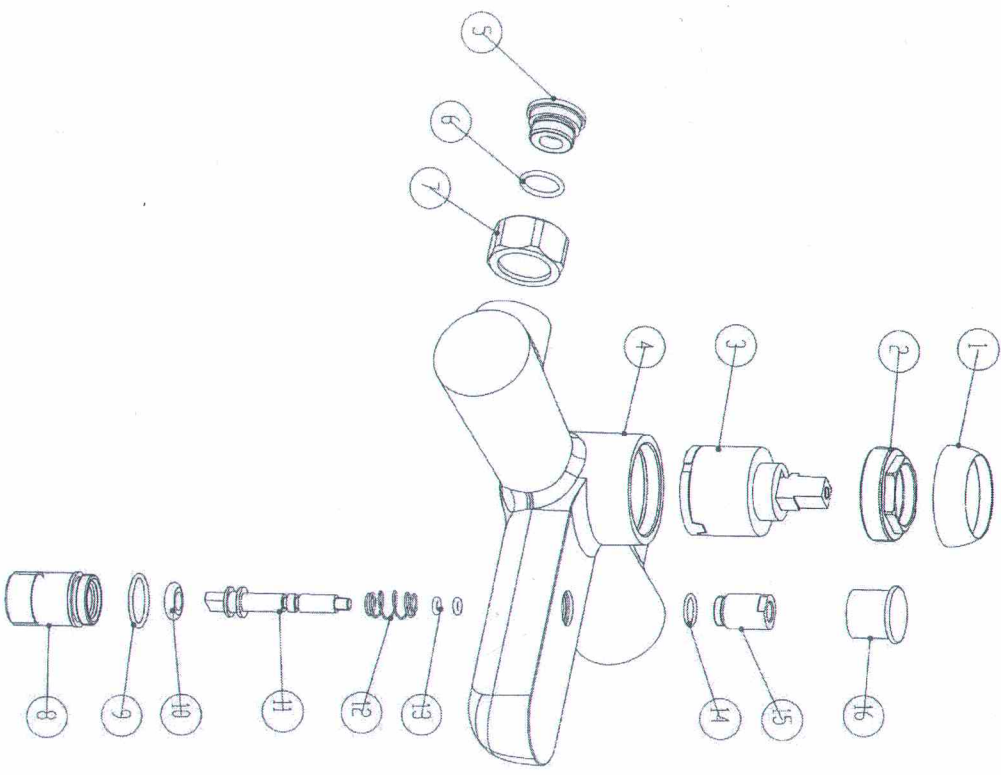


E.D.A



	Approved	Date	Signature
Novaservis	Ce jpek F.	10.10.2023	<i>Ce jpek</i>
Supplier		23.11.25	马宇章

受控章

NO.	PART NO	CODE	PART NAME	Model	QTY	Material
16	96020-02	2650035	Diverter cap	M5	1	57-3
15	92020-02	2620026	Diverter Sleeve		1	57-3
14		2550111	O-ring	Ø9*1.5	1	NBR
13		2550023	O-ring	Ø3.5*1.8	2	NBR
12		2080016	Spring		1	SUS304
11	92020-03	2640092	Diverter rod	M5	1	57-3
10		2050100	Seal		1	NBR
9		2550135	O-ring	Ø16*1.9	1	NBR
8	92020-04	2630026	Lower part of Diverter		1	57-3
7		2510016	cup nuts		2	57-3
6		2550021	O-ring	Ø14*2	2	NBR
5		2510022	Seat		2	SUS304
4	96020-01	2120051	Body		1	CC757S*
3		2710002	VH cartridge		1	35D-2
2	92000-02	2020092	CA Nut		1	57-3
1	92000-03	2020041	Cover		1	ABS

08									
07									
06									
05									
04									
03									
02									
01									

Draw	Date	Name	Check
19.9.2023			

Weight(g)	1100	Surface (dxdp)	
Kod B7	09202096000		

Scale	1:1	Model	96 020-00 (96020)	Rev	A3
-------	-----	-------	-------------------	-----	----

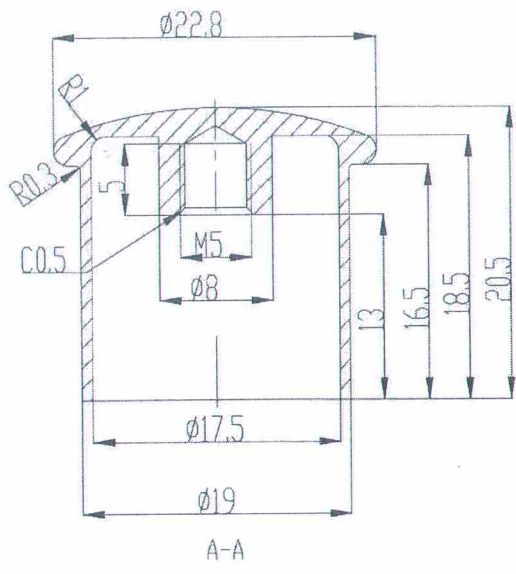
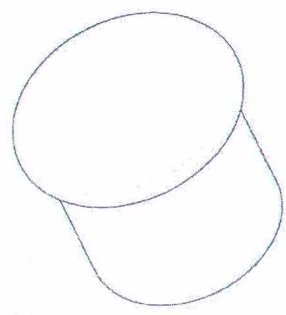
novaservis.

BATH MIXER

96 020-00 (96020)

ED:B

	Approved	Date	Signature
Novaservis	Cejpek F.	20.10.2023	<i>Gjil</i>
Supplier		23.11.25	马守章

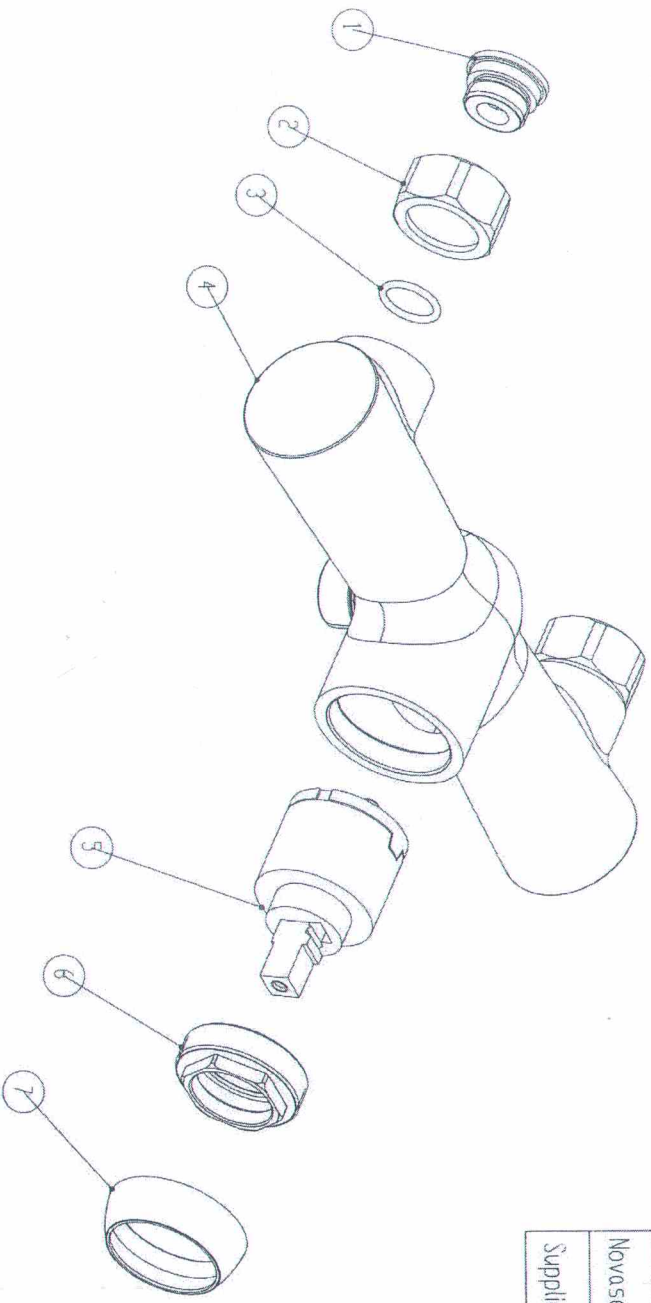


受控章

Polished, Chrome-plated (thickness Ni. 5 microns and Cr 0,15 microns)

08				Tolerances for linear and diameter dimensions without individual tolerance indications: ISO 2768-m Tolerances for radius and chamfer without individual tolerance indications: ISO 2768-n	novaservis		
07					Title		
06					Diverted cap		
05					Date	Name	
04					Draw	19.9.2023	Cejpek F.
03					Material:	No. DRW:	
02					57-3	96 020-02	2650035
01					Weight(g): 13	Surface (dm ²):	A4
Rev.	Name	Date	Change	Kod B7:	Scale	1:1	Sheet 1 of 1

E:DA

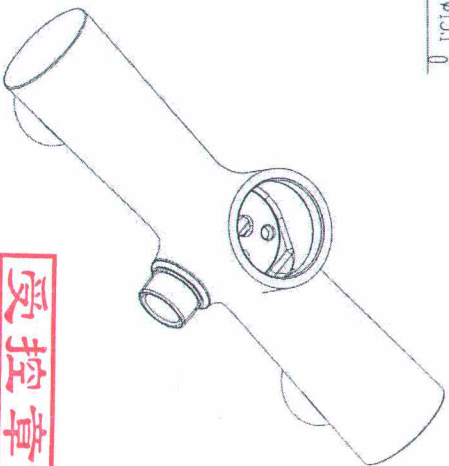
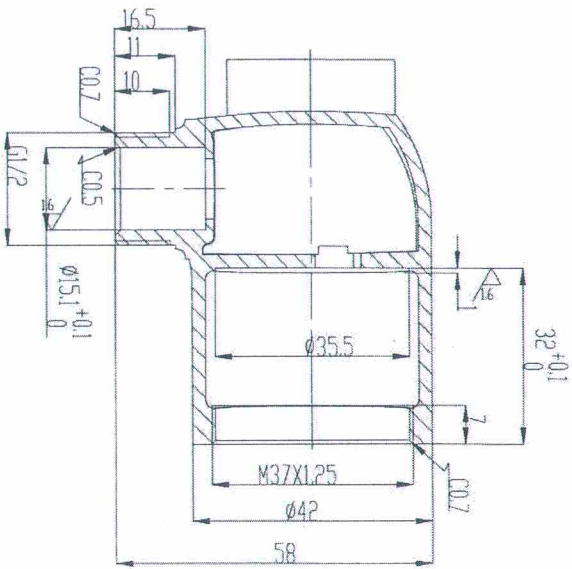
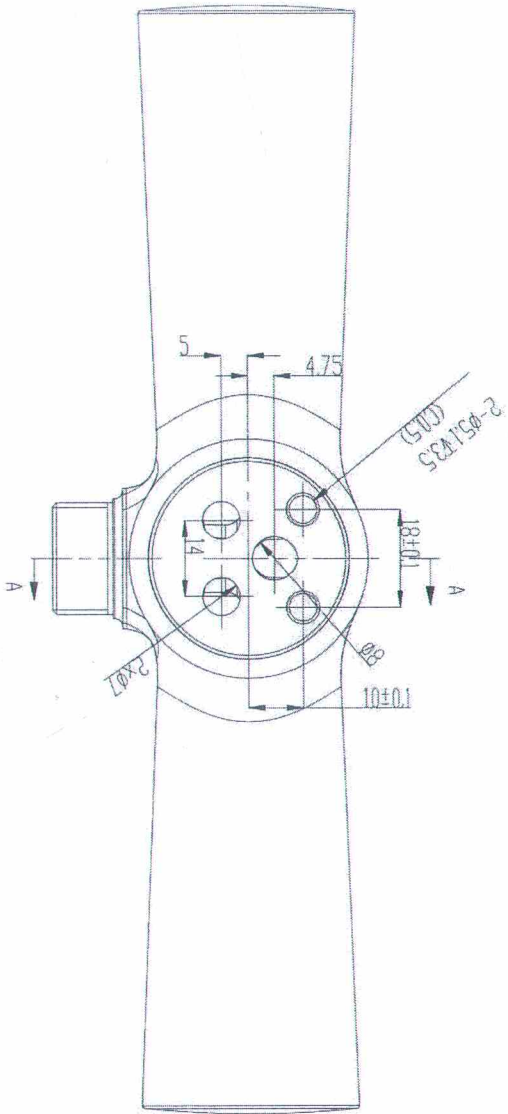


	Approved	Date	Signature
Novaservis	Cejpek F.	20/10/2023	<i>Cejpek</i>
Supplier		22.11.25	冯守幸

受控章

7	92000-03	P020041	Cover	1	ABS
6	92000-02	P020092	CA Nut	1	57-3
5		P710002	WANHAI Cartridge	1	3SD-2
4	95061-01	P131040	Body	1	CC7575*
3		P550021	O-ring	2	NBR
2		P510016	cup nuts	2	57-3
1		P510022	Seat	2	SUS304
PART NAME		PART NAME		QTY	Material
NO		NO		MODEL	
<p style="text-align: center;">Tolerances for linear and angular dimensions unless individual tolerance indications ISO 2768-m Tolerances for radii and chamfers unless individual tolerance indications: ISO 2768-n</p>					
08	Date		Drawn		Title
07	Date		Checked		SHOWER MIXER
06	Date		Approved		96 061-00 (96061)
05	Date		Material		A3
04	Date		Weight(g)		Scale
03	Date		Kcd B7		11
02	Date		Surface (cm ²)		Sheet 1 of 1
01	Date		Change		

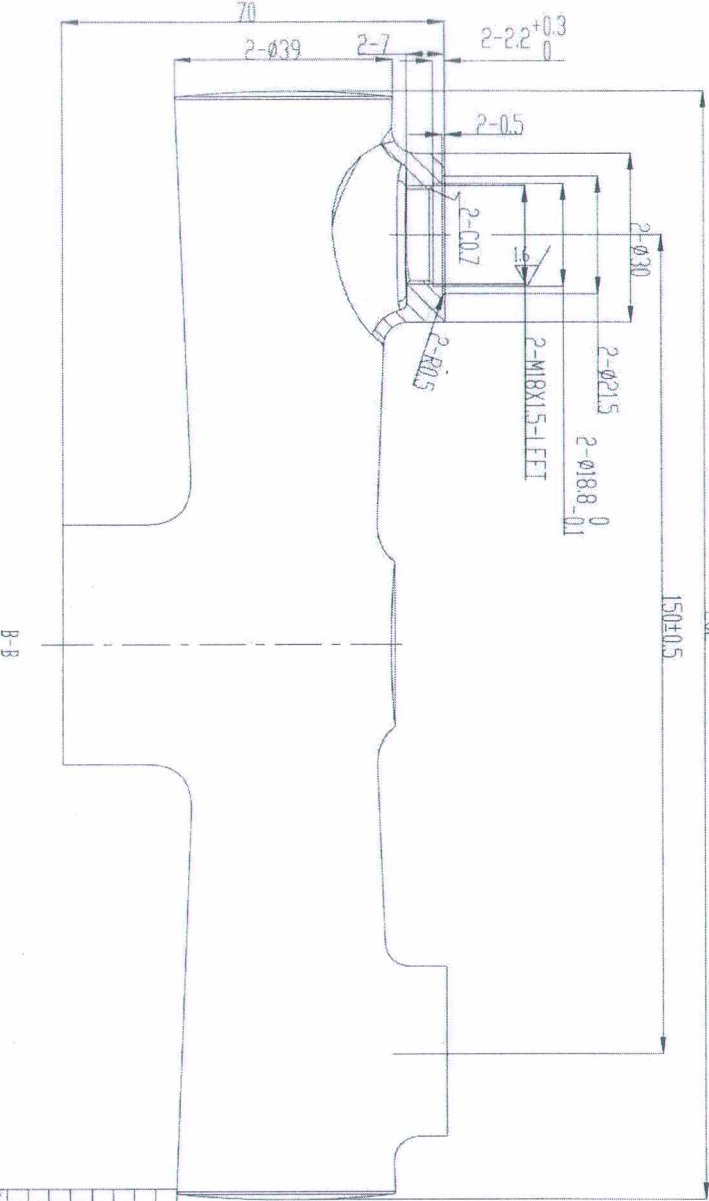
novaservis.



受控章

Polished, Chrome-plated (thickness Ni 5 microns and Cr 0.15 microns)

	Approved	Date	Signature
Novaservis	Cejpek F.	24 Apr 2023	<i>Cejpek</i>
Supplier		23.11.25	马守章



06										
07										
08										
09										
10										
11										
12										
13										
14										
15										
16										
17										
18										
19										
20										
21										
22										
23										
24										
25										
26										
27										
28										
29										
30										
31										
32										
33										
34										
35										
36										
37										
38										
39										
40										
41										
42										
43										
44										
45										
46										
47										
48										
49										
50										
51										
52										
53										
54										
55										
56										
57										
58										
59										
60										
61										
62										
63										
64										
65										
66										
67										
68										
69										
70										
71										
72										
73										
74										
75										
76										
77										
78										
79										
80										
81										
82										
83										
84										
85										
86										
87										
88										
89										
90										
91										
92										
93										
94										
95										
96										
97										
98										
99										
100										

NOVASERVIS

Body

96 061-01 (2130040)

A3