

	Approved	Date	Signature
Novaservis	Ce jpek F.	20.10.2023	<i>Ce jpek F.</i>
Supplier		23.11.10	马守章

受控章

NO.	PART NO	CODE	PART NAME	Model	QTY	Material
11		2510022	Seat		2	SUS304
10		2550021	O-ring	Ø14X2	2	NBR
9		2510016	Cup nuts		2	57-3
8		96021-03	Switch valve core	Ø7.6x20xG1/2"	1	CM617N
7		96021-01	Body	M37X1.25-M24X1	1	CC757S
6		96025-02	Diverter handle	Ø7.6x20	1	Zinc alloy
5		2070001	Screw	M5X6	1	SUS201
4		2210033	Indicator	Ø5.5	1	Silicon
3		2710002	WH cartridge		1	3SD-2
2		92100-02	CA Nut		1	57-3
1		92100-03	Cover		1	ABS

08							
07							
06							
05							
04							
03							
02							
01							
Rev.	Name	Date	Change	Weight(kg)	Surface (cm <sup>2</sup> )	Scale	Rev.
				1130		1:1	
				0196021990000			
				Title		No. DRV	
				<b>NOVASERVIS</b>		96 021-00 (96021)	
				BATH MIXER		A3	
				Model		base 1 of 1	

Tolerances for linear and diameter dimensions without individual tolerance indications (ISO 2768-m)  
Tolerances for radius and chamfer without individual tolerance indications : ISO 2768-r

Drawn: 19.9.2023  
Date: 19.9.2023  
Checked: Ce jpek F.





ED:B



Approved

Date

Signature

Novaservis

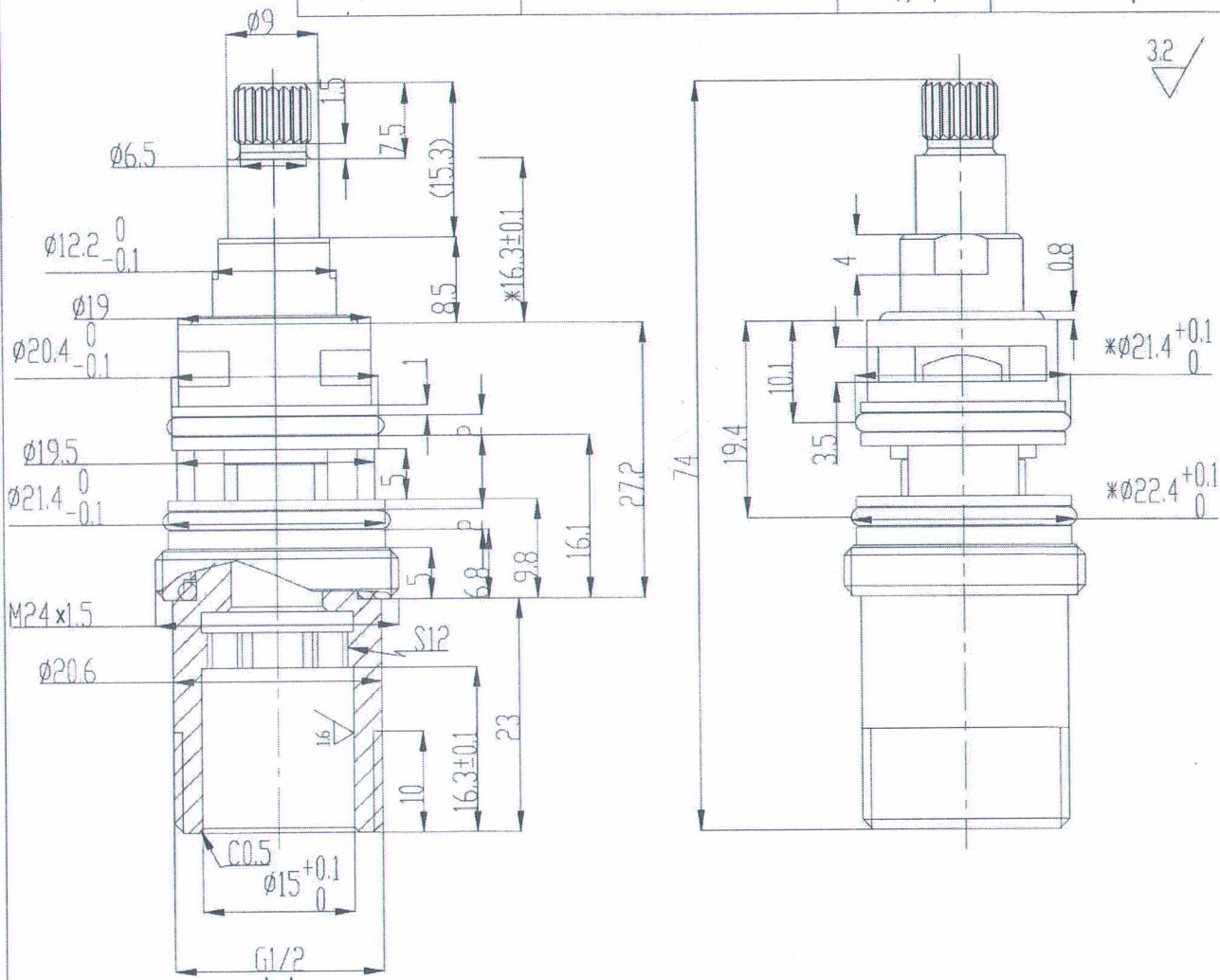
Cejpek F.

20.10.2023

Supplier

23.11.10

马守章



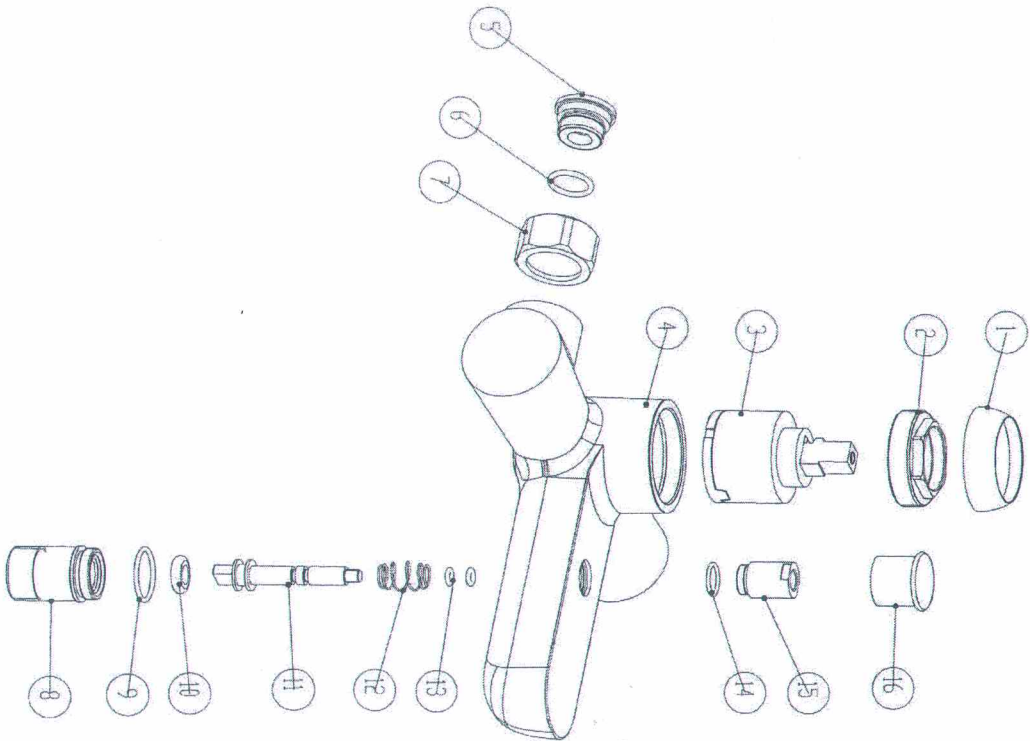
3.2

受控章

Polished, Chrome-plated (thickness Ni. 5 microns and Cr 0,15 microns)

08				Tolerances for linear and diameter dimensions without individual tolerance indications: ISO 2768-m		<b>novaservis</b>	
07				Tolerances for radius and chamfer without individual tolerance indications: ISO 2768-m			
06						Title	
05				Date	Name	Switch valve core	
04				Drew	23.2.2023	Chen Bo	
03				Material:		No. DRW:	
02				CW617N/NBR		96021-03	2650119
01				Weight(g)	78	Surface (dm <sup>2</sup> )	A4
Rev	Name	Date	Change	Kod. B7:	219292019500030	Scale	1:1
						Sheet	1 of 1

EDA



	Approved	Date	Signature
Novaservis	Ce Jpek F.	2010/2023	<i>Ce Jpek F.</i>
Supplier		23.11.10	冯守章

受控章

NO.	NAME	DATE	CHANGE	PART NO.	PART NAME	MODEL	QTY	MATERIAL
16				P650035	Diverter cap	M5	1	57-3
15				P620026	Diverter sleeve		1	57-3
14				P550111	O-ring	Ø9X1.5	1	NBR
13				P550023	O-ring	Ø3.5X1.8	2	NBR
12				P080016	Spring		1	SUS304
11				P640092	Diverter Rod	M5	1	57-3
10				P050100	O ring		1	NBR
9				P550135	O-ring	Ø16*1.9	1	NBR
8				P630026	Lower Part of diverter		1	57-3
7				P510016	cup nuts		2	57-3
6				P550021	O-ring	Ø14X2	2	NBR
5				P510022	Seat		2	SUS304
4				96024-01	Body		1	CC757S*
3				P710002	WANHAI Cartridge		1	350-2
2				P020092	CA Nut		1	57-3
1				92000-03	Cover		1	ABS
NT								

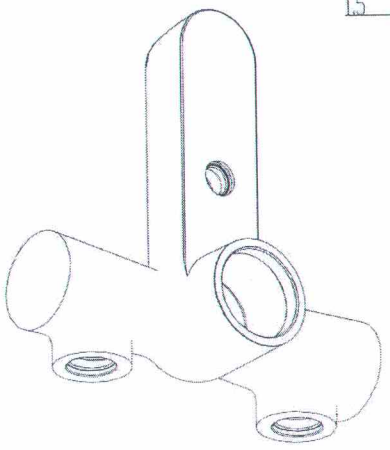
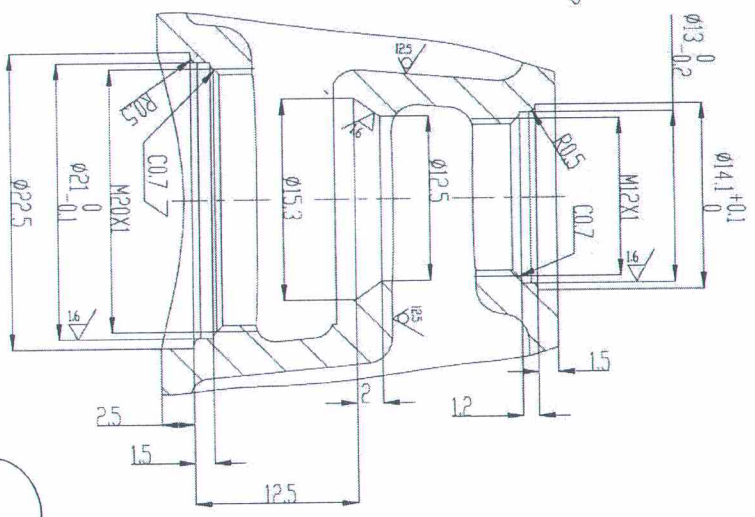
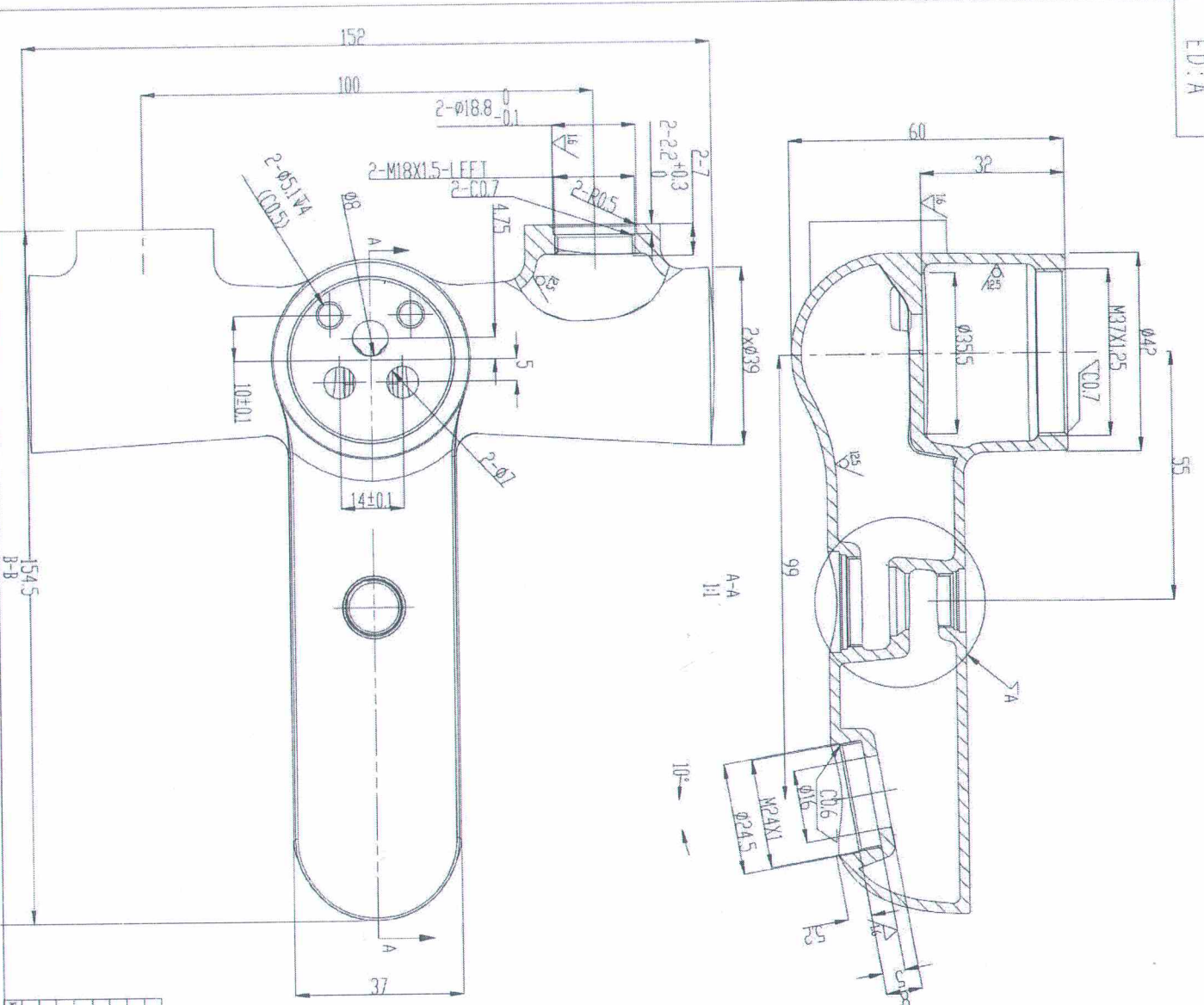
NO.	NO. DRW	SCALE	REV.
06	96 024-00 (96024)	1:1	A3

06	Tolerances for linear and diameter dimensions without individual tolerance indications ISO 2768-m		
07	Tolerances for radii and chamfers without individual tolerance indications ISO 2768-rs		
08	Tolerances for holes and counter holes without individual tolerance indications ISO 2768-h		
09	Drawn	Checked	Material
10	1932023	Ce Jpek F.	
11	Weight (kg)	Surface (cm <sup>2</sup> )	
12	1120		
13	0192023	0192023	



ED: A



受控章

	Approved	Date	Signature
Novaservis	Cejpek F.	20.10.2023	<i>Cejpek F.</i>
Supplier		22.11.10	马守辛

Polished, Chrome-plated (thickness Ni 5 microns and Cr 0.15 microns)

38					
37					
36					
35					
34					
33					
32					
31					
30					
29					
28					
27					
26					
25					
24					
23					
22					
21					
20					
19					
18					
17					
16					
15					
14					
13					
12					
11					
10					
9					
8					
7					
6					
5					
4					
3					
2					
1					
0					

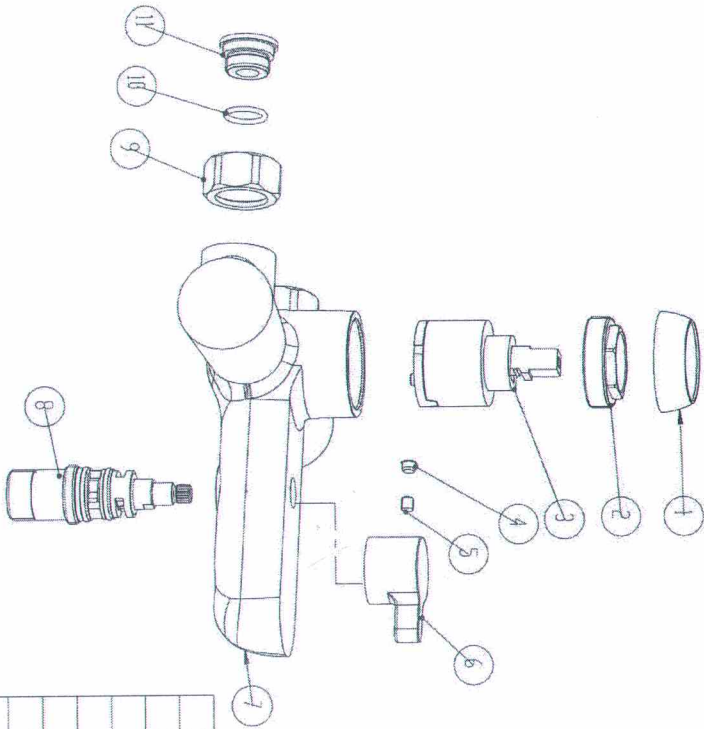
**NOVASERVIS**

Body

96 024-01 (2120091)

Scale 1:1

EDA



	Approved	Date	Signature
Novaservis	Ce jpek F.	20.10.2023	<i>Ce jpek</i>
Supplier		22.11.10	吕守孝

受控章

Rev.	Name	Date	Change	Kod JTI	Weight (kg)	Surface (dm <sup>2</sup> )	Scale
01				0196025090000	1070		11
11	Seat	P2510022					2
10	O-ring	P2550021				Ø14X2	2
9	cup nuts	P2510016				57-3	2
8	Switch valve core	P2650119				Ø7.6X20XG1/2"	1
7	Body	P26025-01				M37X1.25	1
6	diverter handle	P2220039				Ø7.6X20	1
5	Screw	P2070001				M5X6	1
4	Indicator	P2210033				Ø5.5	1
3	WH Cartridge	P2710002				35D-2	1
2	CA Nut	P2020092				57-3	1
1	Cover	P2020041				ABS	1

**novaservis**  
BATH MIXER

96 025-00 (96025)

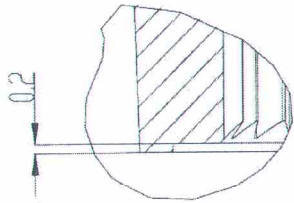
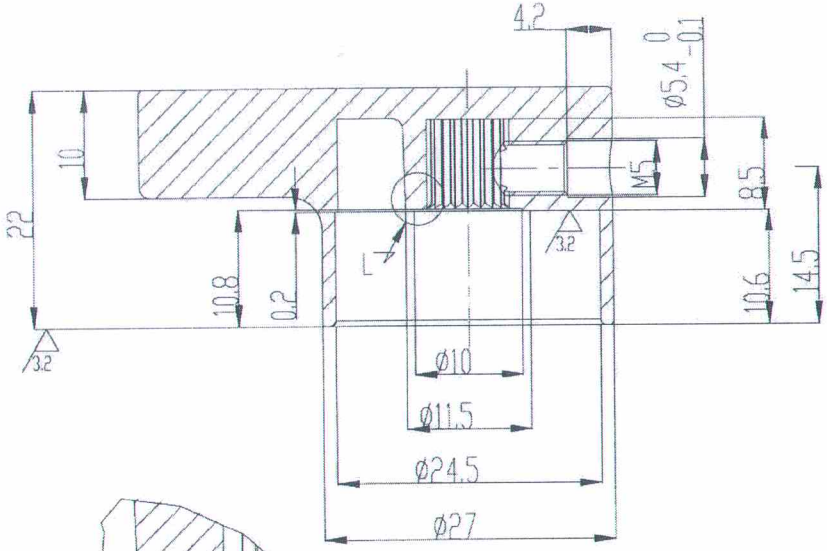
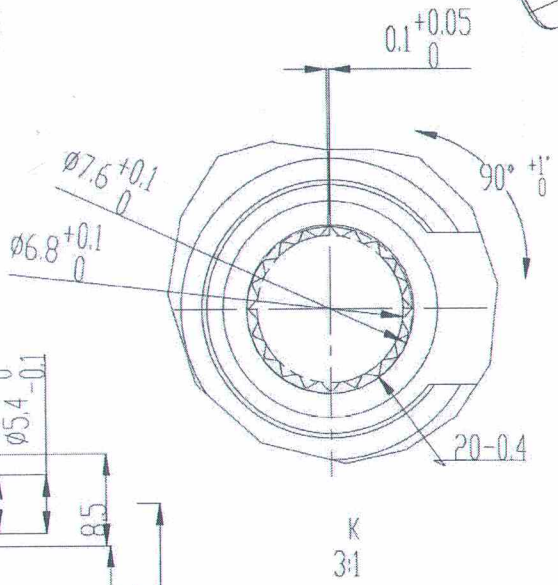
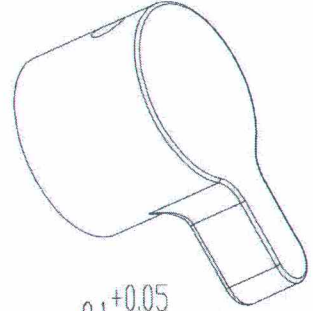
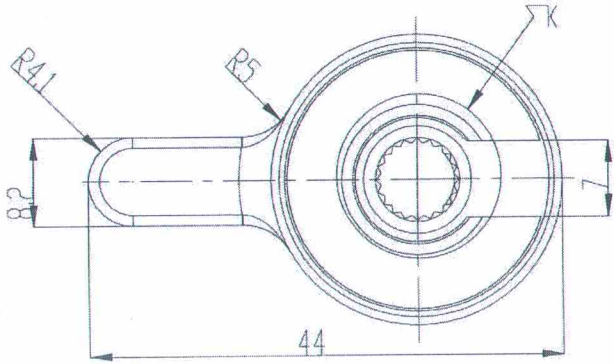
A3

References for linear and angular dimensions without individual tolerance indications: ISO 2768-m  
Tolerance Indications: ISO 2768-m  
Date: 19.9.2023  
Name: Ce jpek F.  
Material:   
Weight (kg): 1070  
Surface (dm<sup>2</sup>):   
Kod JTI: 0196025090000





ED:B		Approved	Date	Signature
	Novaservis	Cejpek F.	20.10.2023	<i>Gjel</i>
	Supplier		23.11.10	刁守幸



A-A  
3:2

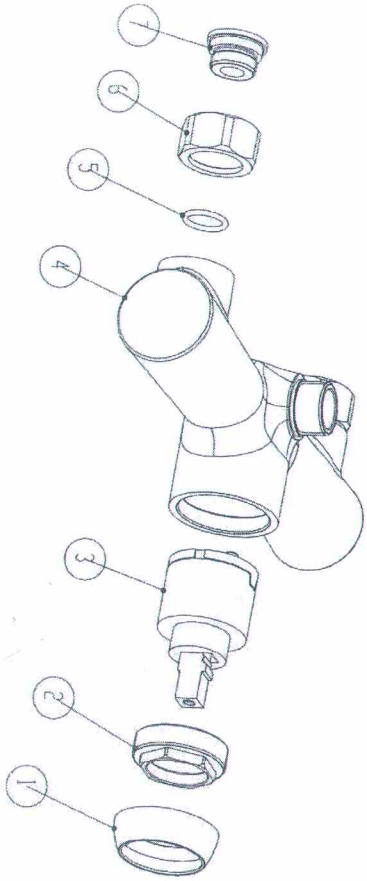
受控章

6:1 Polished, Chrome-plated (thickness Ni. 5 microns and Cr 0.15 microns)

08				Tolerances for linear and diameter dimensions without individual tolerance indications: ISO 2768-m	<b>novaservis</b>	Title diverter handle	No. DRW: 96025-02	2220039	A4
07				Tolerances for radius and chamfer without individual tolerance indications: ISO 2768-n					
06									
05				Date: 23.2.2023					
04				Name: Chen Bo					
03				Material: Zinc alloy					
02				Weight(g): 37					
01				Surface (cm <sup>2</sup> ):					
Rev.	Name	Date	Change	Xad 07	Scale: 1:1	Sheet: 1 of 1			



E:DA



	Approved	Date	Signature
Novaservis	Cejpek F.	20.10.2023	<i>Cejpek</i>
Supplier		23.11.10	马字幸

受控章

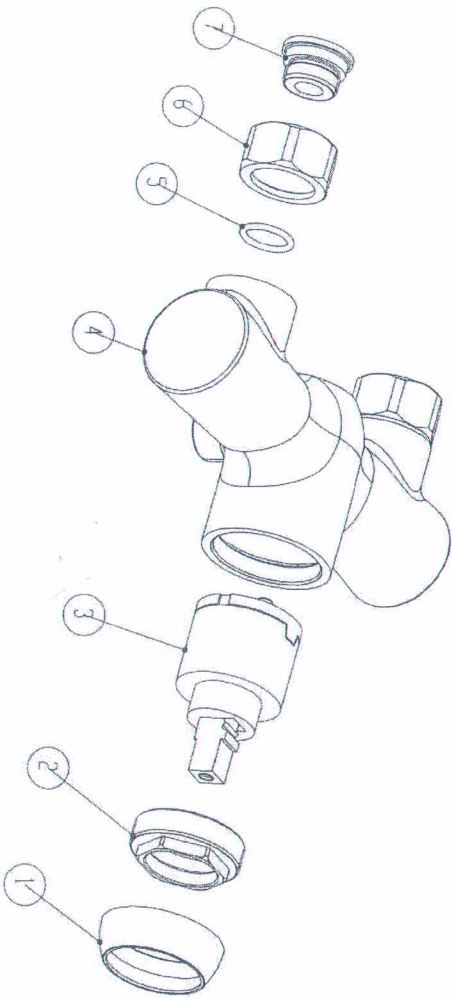
Rev	Part No	Date	Change	Part Name	Model	Qty	Material
7	P510022			Seat		2	SUS304
6	P510016			cup nuts		2	57-3
5	P550021			O-ring	Ø14x2	2	NBR
4	P6062-01			Body		1	CC757S*
3	P710002			WH Cartridge		1	3SD-2
2	P2000-02			CA Nut		1	57-3
1	P2000-03			Cover		1	ABS
ND				PART NAME	MODEL	QTY	Material
ND							
08				Tolerances for linear and diameter dimensions without individual tolerance indications ISO 2768-m			
07				Tolerances for radius and chamfer without individual tolerance indications: r ISO 2768-n			
06				Draw	Date	Name	Title
05				19.9.2023		Cejpek F.	SHOWER MIXER
04				Material			NO DRAW
03				Weight(g)	792	Surface (cm <sup>2</sup> )	96 062-00 (96062)
02				Code (B)	01906290000	Scale	A3
01						1:1	Page 1 of 1





E.D.A

	Approved	Date	Signature
Novaservis	Cejpek F.	22.11.2023	<i>Cejpek</i>
Supplier		22.11.10	马守幸



受控章

Rev.	Item	Date	Change	Weight (g)	Surface (cm <sup>2</sup> )	Scale
01				Kod B7: 03966590000		11
02						
03						
04						
05						
06						
07						
08						

7	2510022	Seat	2	SUS304
6	2510016	cup nuts	2	57-3
5	2550021	O-ring	2	NBR
4	96065-01	Body	1	CC75/S*
3	2710002	WH Cartridge	1	35D-2
2	92000-02	CA Nut	1	57-3
1	92000-03	Cover	1	ABS

NO	PART NAME	MODEL	QTY	Material
NO				
<b>novaservis</b> SHOWER MIXER No BRV: 96 065-00 (96065) Scale: 11 Made 1 of 1 Rev: A3				

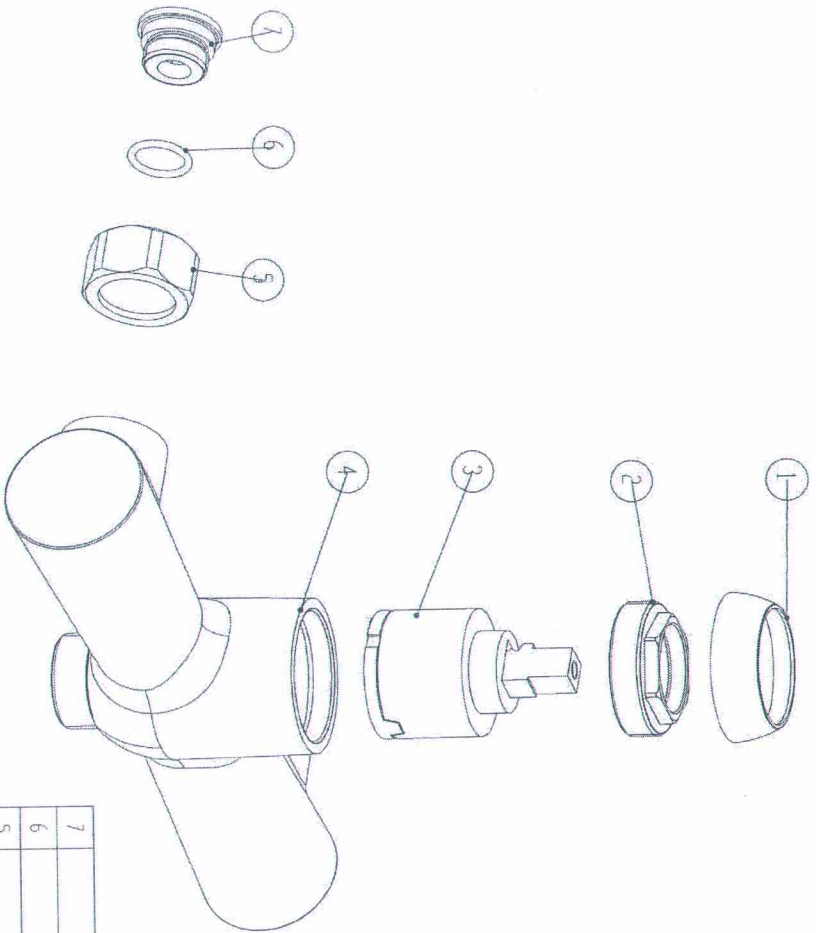
Tolerances for linear and diameter dimensions without individual tolerance indications: ISO 2768-m  
Tolerances for radius and chamfer without individual tolerance indications: r 1.50 2768-m

**novaservis**  
SHOWER MIXER





EDA



	Approved	Date	Signature
Novaservis	Cejpek F.	2010.2023	<i>Cejpek</i>
Supplier		23.11.10	写字章

受控章

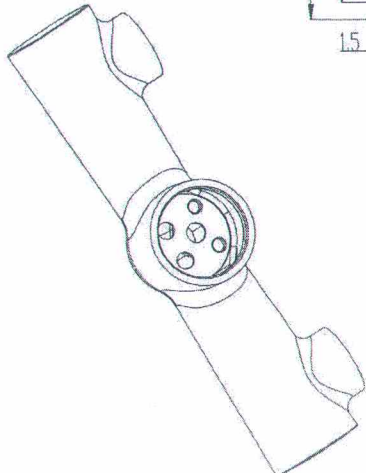
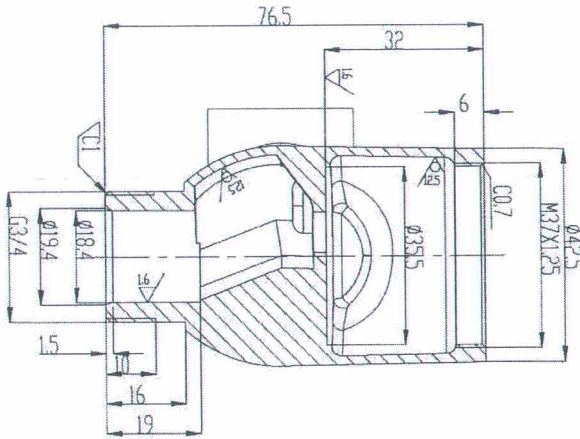
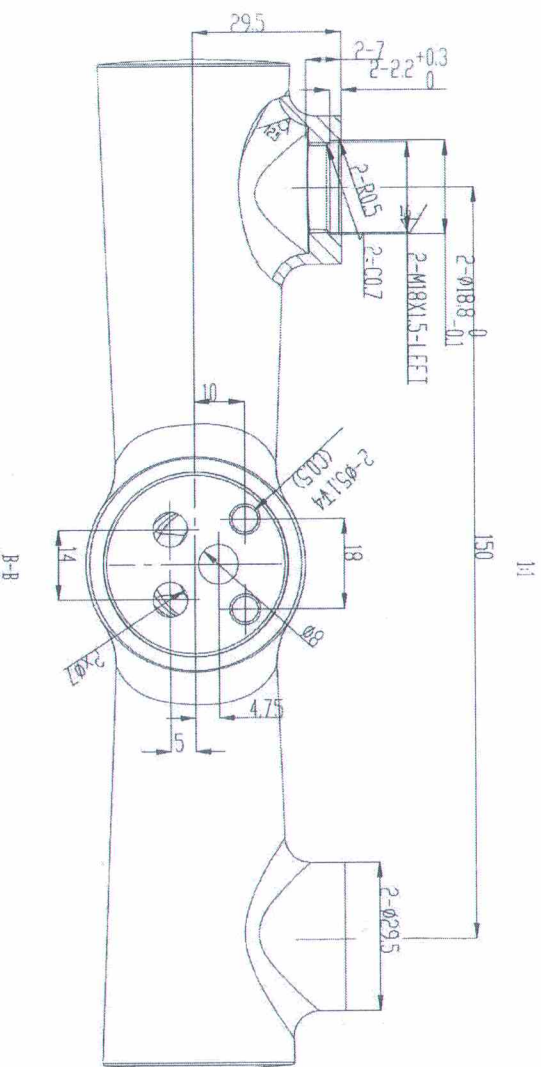
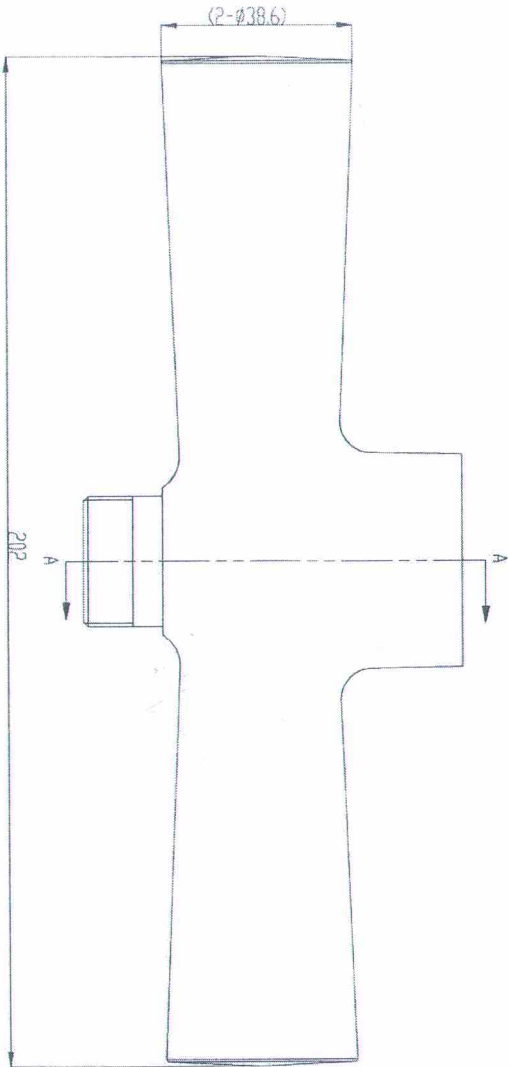
7	PS10022	Seat	2	SUS304	
6	PS50021	O-ring	2	NBR	
5	PS10016	cup nuts	2	57-3	
4	96070-01	Body	1	CC75/S*	
3	P140222	WH Cartridge	1	3SD-2	
2	92000-02	CA Nut	1	57-3	
1	92000-03	Cover	1	ABS	
ND	ND	PART NAME	MODEL	QTY	Material
08					
07		Tolerances for laser and gaurder detectors allow individual tolerance indications ISO 2768-m			
06		Tolerances for radius and chamfer without individual tolerance indications . . . ISO 2768-n			
05		Date	None		
04		Draw	19.9.2023	Cejpek F.	
03		Material			
02		Weight(g)	770	Surface (cm <sup>2</sup> )	
01		Kcat 37:	0156107991000	Scale	1:1
Rev.	Name	Date	Change	No. DRW	Scale
				96 070-00 (96070)	A3
					Rev.

**novaservis**

SINK MIXER

96 070-00 (96070)

ED: A



受控章

	Approved	Date	Signature
Novaservis	Cejpek F.	22/02/2023	<i>gjed</i>
Supplier		23.11.10	呂子幸

Polished, Chrome-plated (thickness Ni 5 microns and Cr 0.15 microns)

**NOVASERVIS**

Rev.	Issue	Date	Change
01			
02			
03			
04			
05			
06			
07			

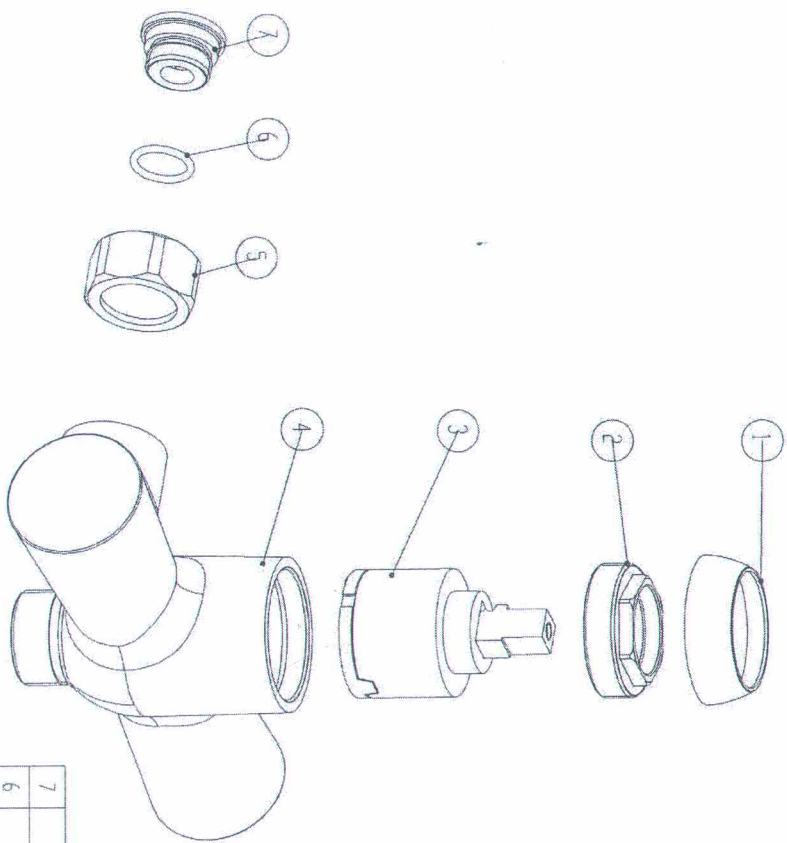
  

Technical description: Part and drawing description, allow individual customer requests (01 7200) Suppliers for make and change return material Service relations: (02 2000)	
Drawn	Bit
Checked	Checked
Approved	Approved
Part No.	Part No.
CC575K	CC575K
Version	Version
96 070-01	96 070-01
Scale	Scale
1:1	1:1
Sheet	Sheet
1 of 1	1 of 1



EDA

	Approved	Date	Signature
Novaservis	Ce jpek F.	20.10.2023	<i>Ce jpek</i>
Supplier		22.11.10	邵守幸



受控章

7	PS10022	Seat	2	SUS304	
6	PS50021	O-ring	2	NBR	
5	PS10016	cup nuts	2	57-3	
4	96074-01	Body	1	CC7575x	
3	P710002	WH Cartridge	1	3SD-2	
2	92000-02	CA Nut	1	57-3	
1	92000-03	Cover	1	ABS	
NO	NO	PART NAME	MODEL	QTY	Material
08		Fabrikanne für: über und abwärts drehbaren mitlauf individual. Unterdruck Induktion. ISO 21818 Fabrikanne für: nach und darüber mitlauf. mitlauf.			
07		Fabrikanne für: nach und darüber mitlauf. mitlauf.			
06		Fabrikanne für: nach und darüber mitlauf. mitlauf.			
05		Fabrikanne für: nach und darüber mitlauf. mitlauf.			
04		Fabrikanne für: nach und darüber mitlauf. mitlauf.			
03		Fabrikanne für: nach und darüber mitlauf. mitlauf.			
02		Fabrikanne für: nach und darüber mitlauf. mitlauf.			
01		Fabrikanne für: nach und darüber mitlauf. mitlauf.			
Rev.	Name	Date	Change	Kod. B7:	019607490000
				Weight (g)	592
				Surface (cm <sup>2</sup> )	
				Material	
				Date	19/9/2023
				Name	Ce jpek F.
				No. DRV	96 074-00 (96074)
				Scale	1:1
				Issue	1 of 1
				Rev	A3

**novaservis**

SINK MIXER

