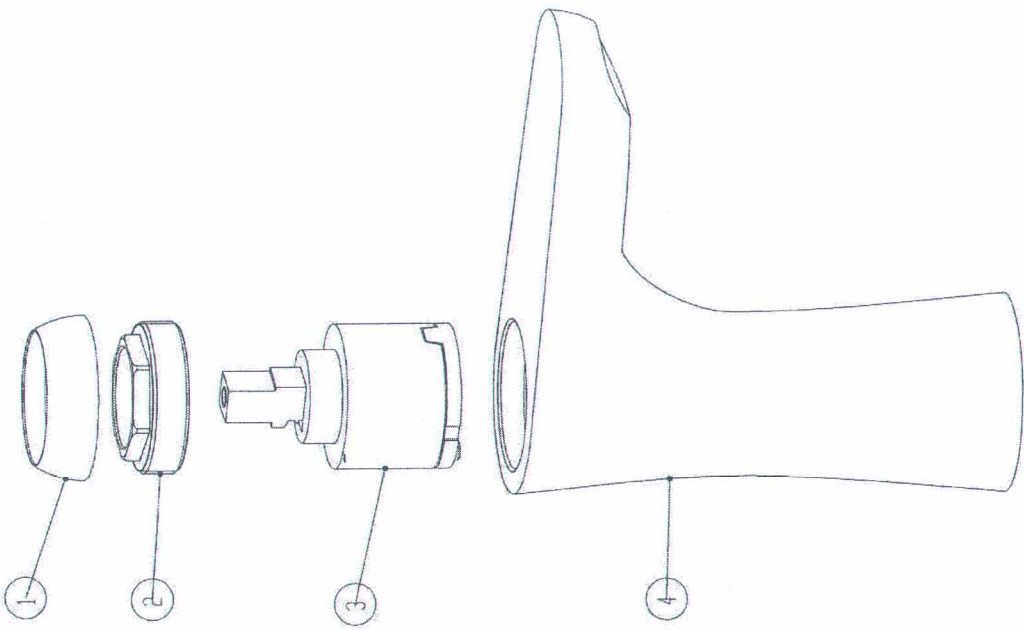


ED:A



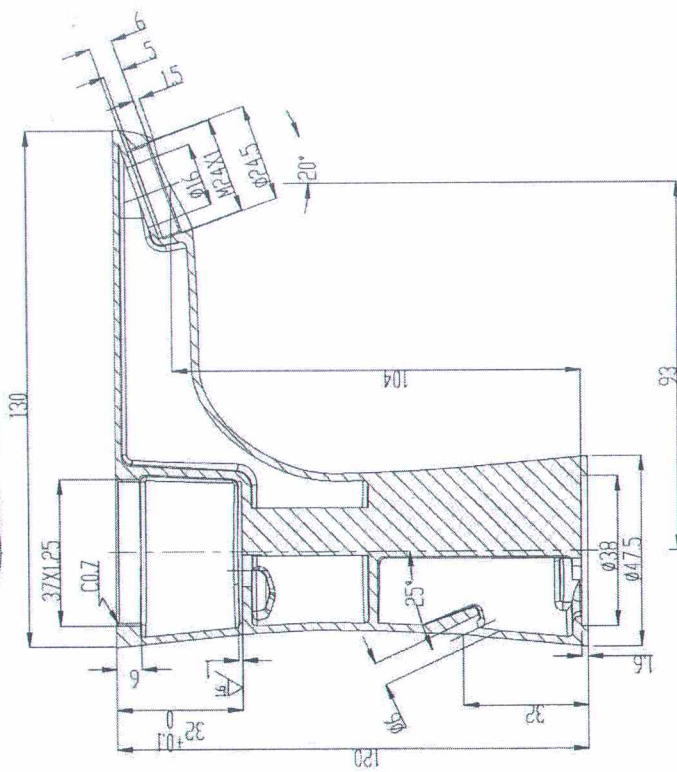
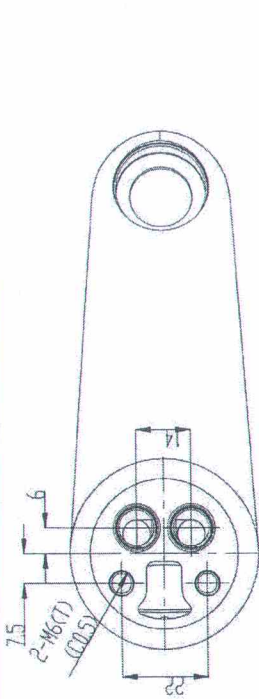
受控章

4	96001-01	2110124	Body		1	CC757S
3		2710002	WH Cartridge		1	35D-2
2	92000-02	2020092	CA Nut		1	57-3
1	92000-03	2020041	Cover		1	ABS
NO PART NO		CODE	PART NAME	MODEL	QTY	Material
novaservis BASIN MIXER No. 96001-00 (96001)						
(Instructions for linear and quarter dimensions without material tolerance indicated) (Dimensions in millimeters) (Tolerances without individual tolerance indications: ± 0.25 mm)			Date	19.02.2023	Draw	None
Date 19.02.2023			Ca. Junkt. F.	No. 96001-00 (96001)		
Material Weight: 748 g No. 96001-00 (96001)			Scale	1:1		
Date 23.11.2023			Scale	1:1		

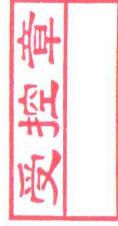
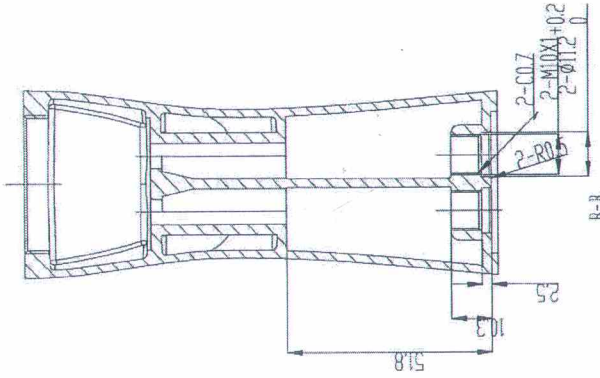
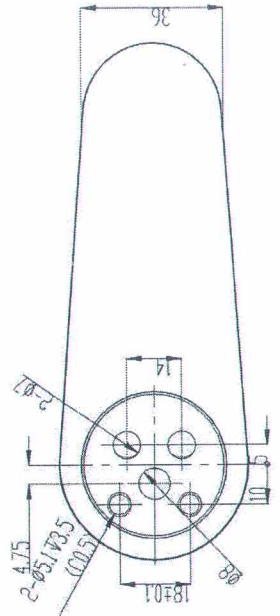
Rev.	08				
	07				
	06				
	05				
	04				
	03				
	02				
	01				
Approved	Date		Signature		
Novaservis	Ce jpek F.	23.11.2023			
Supplier		23.11.03			

ED: A

	Approved	Date	Signature
Novaservis	Cejpek F.	20.10.2023	Cejpek
Supplier		22.11.03	马守章



A-A
4:5



Polished, Chrome-plated (thickness Ni 5 microns and Cr 0.15 microns)

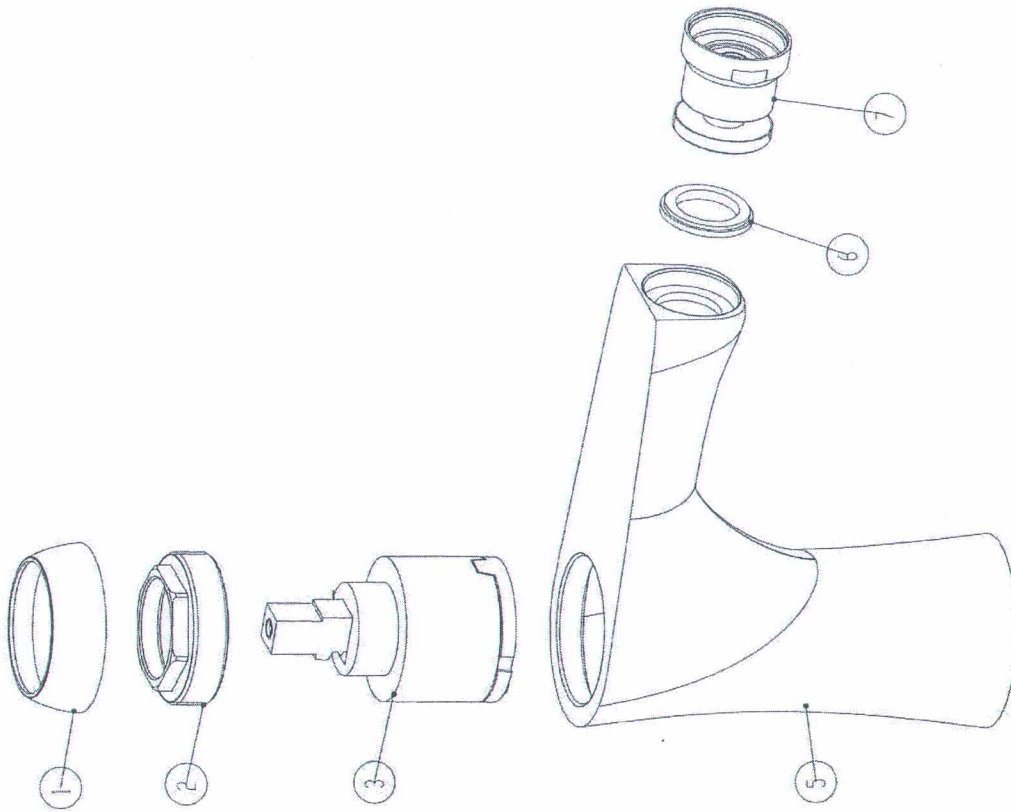
38	Material	CC75/SA
37	Material	CC75/SA
36	Material	CC75/SA
35	Material	CC75/SA
34	Material	CC75/SA
33	Material	CC75/SA
32	Material	CC75/SA
31	Material	CC75/SA
30	Material	CC75/SA
29	Material	CC75/SA
28	Material	CC75/SA
27	Material	CC75/SA
26	Material	CC75/SA
25	Material	CC75/SA
24	Material	CC75/SA
23	Material	CC75/SA
22	Material	CC75/SA
21	Material	CC75/SA
20	Material	CC75/SA
19	Material	CC75/SA
18	Material	CC75/SA
17	Material	CC75/SA
16	Material	CC75/SA
15	Material	CC75/SA
14	Material	CC75/SA
13	Material	CC75/SA
12	Material	CC75/SA
11	Material	CC75/SA
10	Material	CC75/SA
9	Material	CC75/SA
8	Material	CC75/SA
7	Material	CC75/SA
6	Material	CC75/SA
5	Material	CC75/SA
4	Material	CC75/SA
3	Material	CC75/SA
2	Material	CC75/SA
1	Material	CC75/SA

Part No.	96 001-01 (2110124)
Rev.	A3
Drawn	
Checked	
Released	
Material	CC75/SA
Process	CC75/SA
Size	φ12
Length	51.8
Weight	66
Volume	66
Cost	66
Notes	1 of 1

NOVASERVIS

Body

EDA



受控章

NO	Rev.	Date	Change	Weight	Part No	Part Name	Model	Qty	Material
7		92011-02		2350002		Hanger of aerator		1	57-3
6				2050044		Washer		1	MBR(BL)
5		96011-01		2110189		Body		1	CC757S
3				2710002		WH Cartridge		1	35D-2
2		92000-02		2020092		CA Nut		1	57-3
1		92000-03		2020041		Cover		1	ABS
NO		PART NO		CODE	PART NAME		MODEL	QTY	Material

References for laser and detector diodes without
 labels: reference additions (D) 2748-m
 References for radio and charger: without labels
 Laser-Indicators: ... (D) 2748-m

Title: BIDET MIXER
 No. DW: 96011-00 (96011)
 Scale: 1/1
 Page: 1 of 1

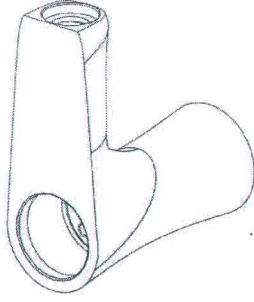
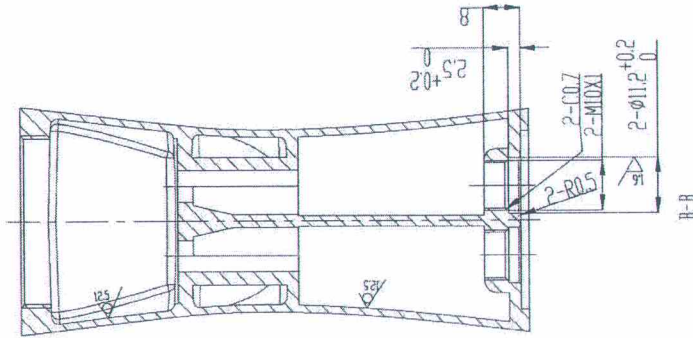
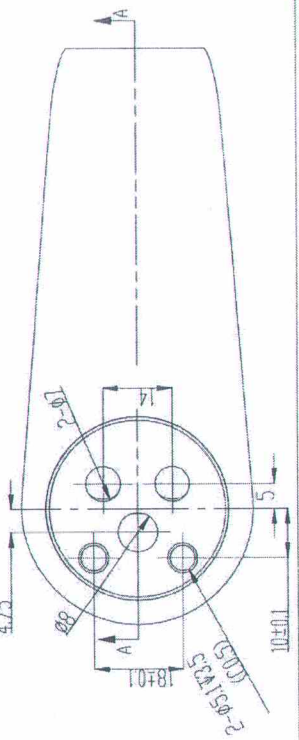
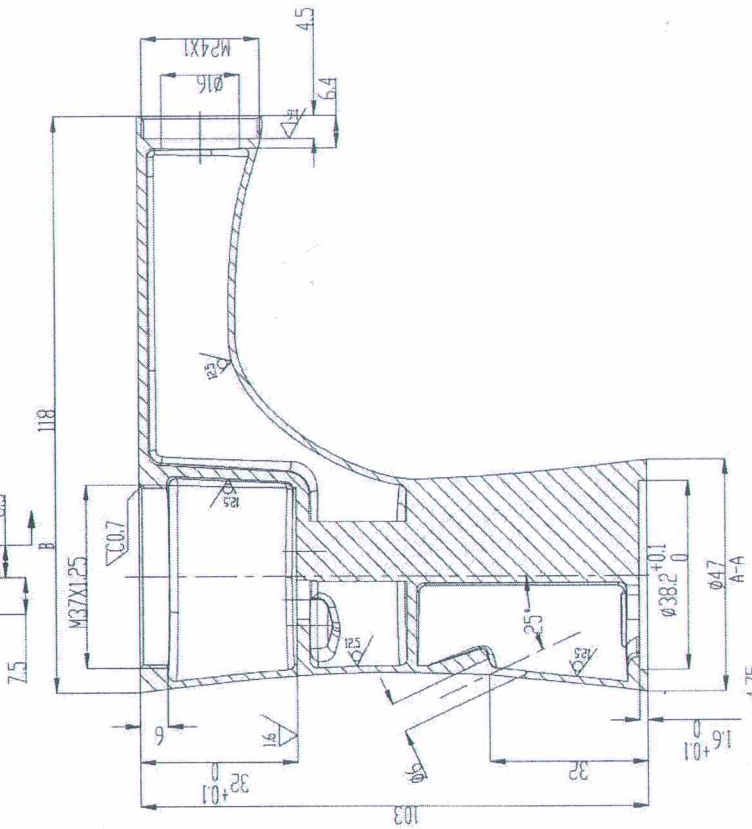
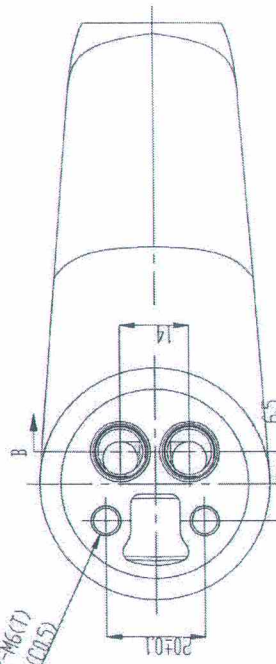
Date: 199203
 Date: 6/95
 Puchs: uncl
 Foot B7: 015601970000

Rev. 08
 07
 06
 05
 04
 03
 02
 01

Novaservis	Approved	Date	Signature
Supplier	Ceipek F.	13.10.2023	<i>Ceipek F.</i>
		22.11.03	马守章

ED : A

2-M6(1)
(005)



受控章

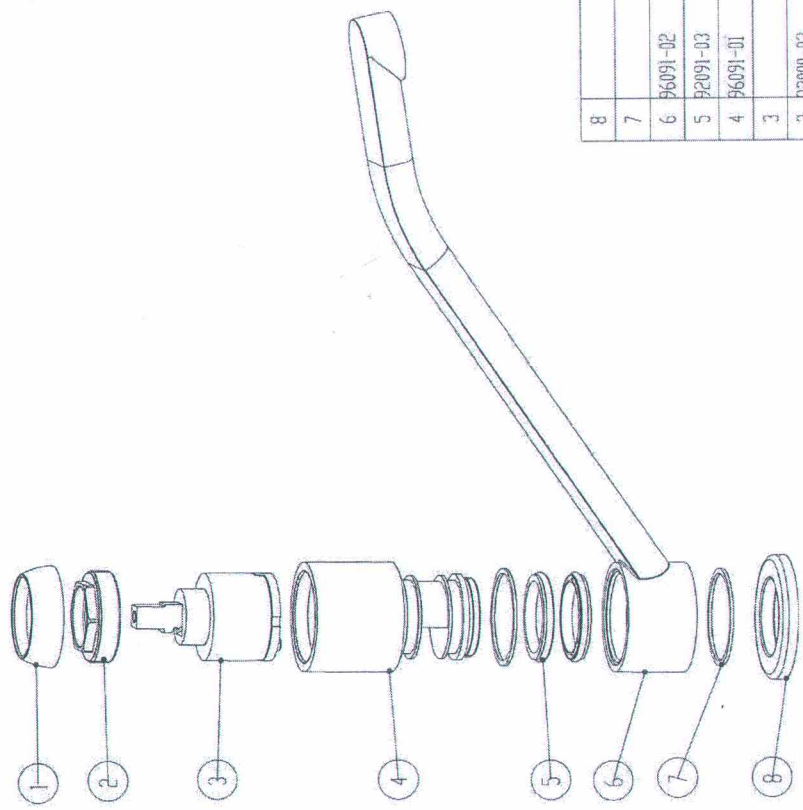
Novaservis	Approved	Date	Signature
Supplier	Ce jpek F.	20.10.2023	<i>Ce jpek</i>
		27.11.23	马守章

Polished, Chrome-plated (thickness Ni 5 microns and Cr 0.15 microns)

Novaservis Body	
No. BW	96 011-01 (2110189)
Scale	1:1
Novaservis No. BW: 96 011-01 (2110189) A3	
Novaservis No. BW: 96 011-01 (2110189) A3	

ED-A

	Approved	Date	Signature
Novaservis	Cejpek F.	23.11.2023	
Supplier		23.11.03	马守幸

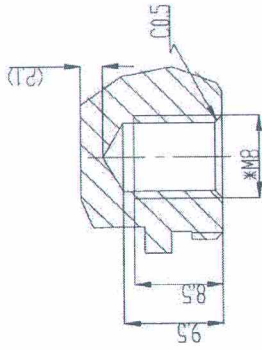
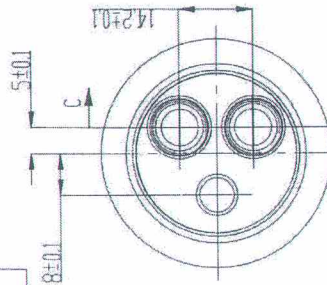


受控章

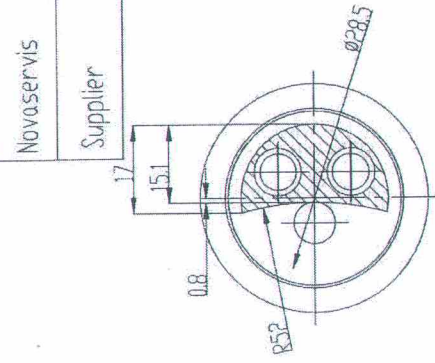
NO	PART NO	PART NAME	MODEL	QTY	Material
8	2530098	Base Ring		1	57-3
7	2050040	Gasket	38.4X34.6X1.3	2	PTFE
6	96091-02	Spout		1	B1B23/162
5	92091-03	Sealing		2	NBR(GBL)
4	96091-01	Inner Body		1	B1B23
3	2710002	WH Cartridge		1	35D-2
2	92000-02	CA Nut		1	57-3
1	92000-03	Cover		1	ABS
NO		PART NAME	MODEL	QTY	Material
novaservis					
KITCHEN MIXER					
Title					
No DRG					
96 091-00 (96091)					
A3					
Rev.					

Tolerances for linear and diameter dimensions without individual tolerance indications ISO 2768-m
 Tolerances for radius and chamfer without individual tolerance indications . . . ISO 2768-r
 Date: 19.02.2023
 Drawn: Cejpek F.
 Material:
 Weight (kg) / 602
 Code B7: 0196091960000
 Scale: 1:1
 Page 1 of 1

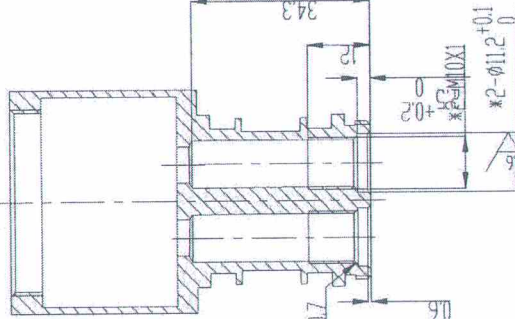
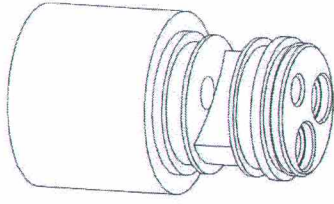
ED:A



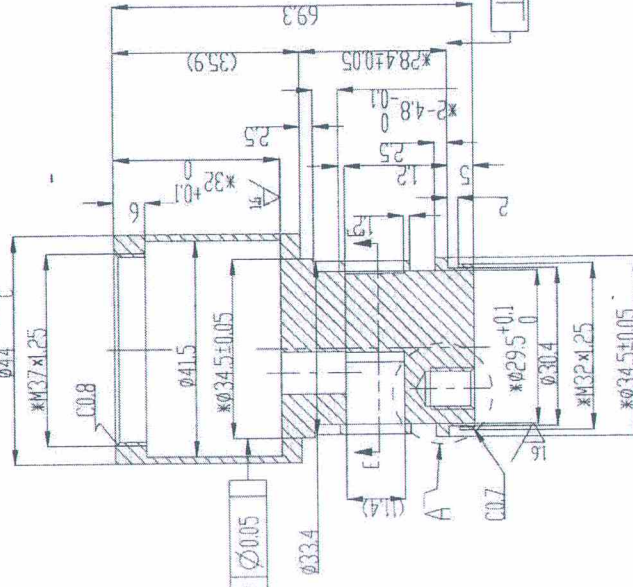
A / 21



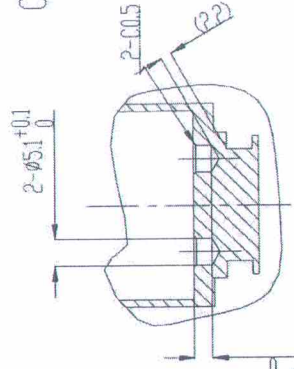
E-E



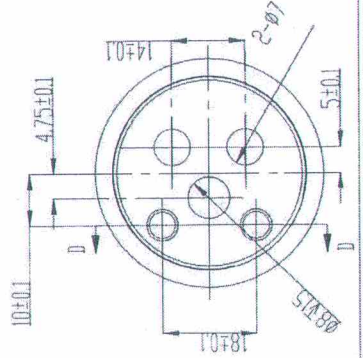
C-C



2-Ø5.1+0.1



D-D



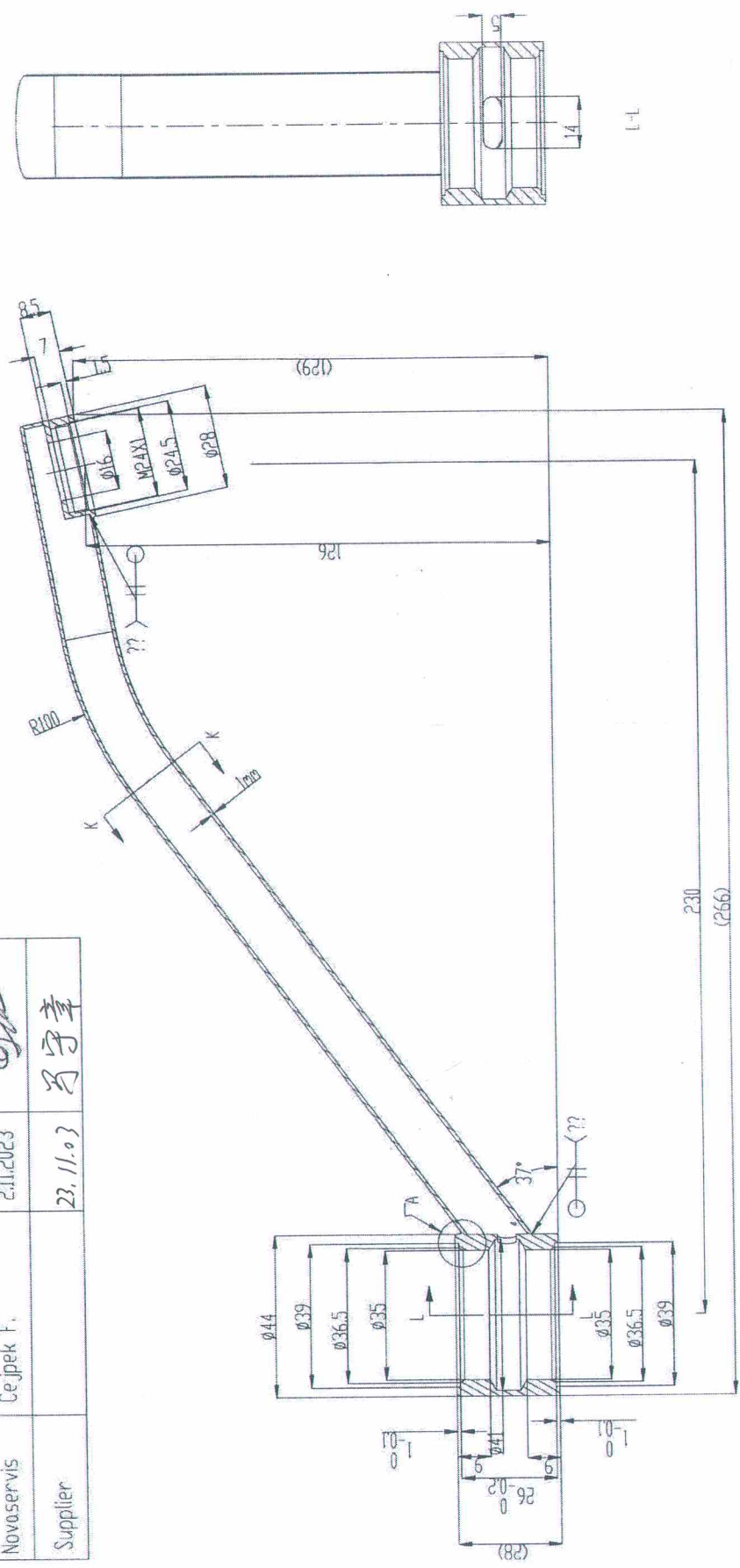
	Approved	Date	Signature
Novaservis	Cejpek F.	7/31/2023	Cejpek
Supplier		23.11.03	马宇华

Polished, Chrome-plated (thickness Ni 5 microns and Cr 0.15 microns)

受控章

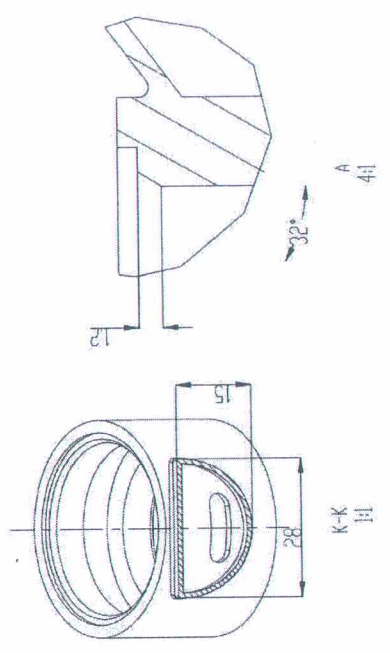
<p>Reference for inner and diameter dimensions when made for order is the drawing of the drawing. Reference for order and check for about 1000. Reference for order and check for about 1000. Reference for order and check for about 1000.</p>			
Part No.	Part Name	Part No.	Part Name
192303	Inner Body	192303	Inner Body
<p>Novaservis Part No. 192303 Part Name Inner Body</p>			
Part No.	Part Name	Part No.	Part Name
96 091-01	(2140090)	96 091-01	(2140090)
<p>Rev. A3</p>			

ED: A				
	Approved	Date	Signature	
	Cejpek F.	2.11.2023	<i>[Signature]</i>	
	Supplier	23.11.23	冯守章	



受控章

A-A
17:20



Polished, Chrome-plated (thickness Ni 5 microns and Cr 0.15 microns).

Material		Title	
Part No.	Rev.	Part No.	Rev.
96 091-02	A3	96 091-02	(2670474)
Scale		Scale	
1:1		1:1	
Sheet 1 of 1		Sheet 1 of 1	

Novaservis

Spout

Novaservis

Part No. 96 091-02 Rev. A3

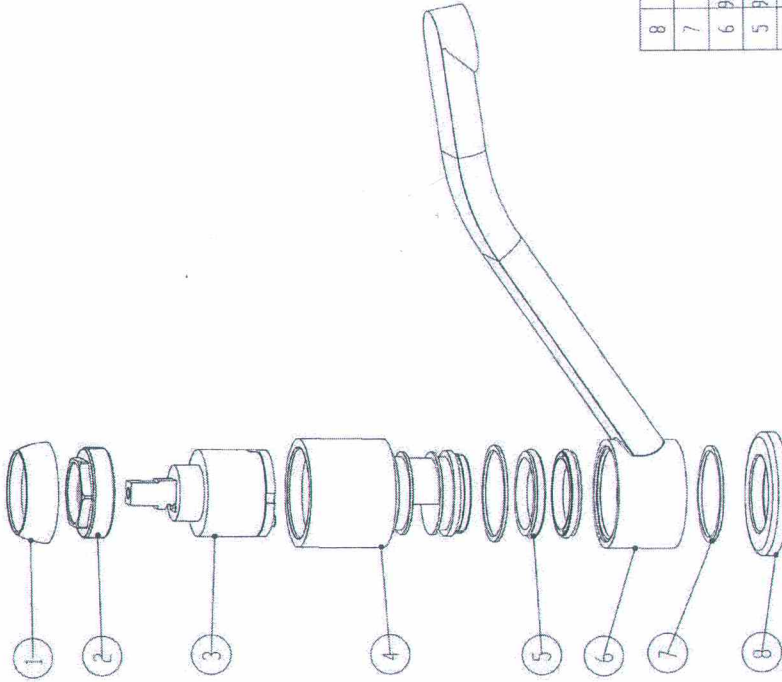
Part No. 96 091-02 Rev. (2670474)

Scale 1:1

ED/A

	Approved	Date	Signature
Novaservis	Ce.jpek F.	23.11.2023	<i>Ce.jpek</i>
Supplier		23.11.03	马守章

受控章



8	2530098	Base Ring	1	57-3
7	2050040	Gasket	2	PIFE
6	96096-02	Spout	1	B1B23/462
5	92091-03	Sealing	2	NBR(KBL)
4	96091-01	Inner Body	1	B1B23
3	9710002	WH Cartridge	1	35D-2
2	92000-02	CA Nut	1	57-3
1	92000-03	Cover	1	ABS

NO	PART NO	PART NAME	MODEL	QTY	MATERIAL
08					
07					
06					
05					
04					
03					
02					
01					
Rev.	None	Date	Change		

novaservis

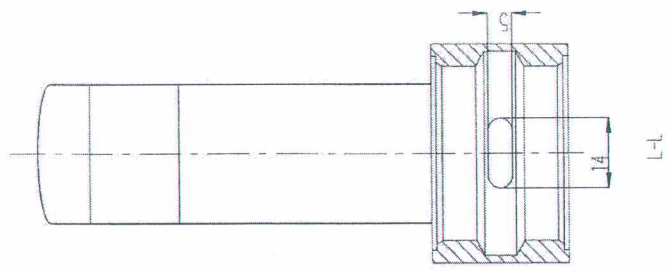
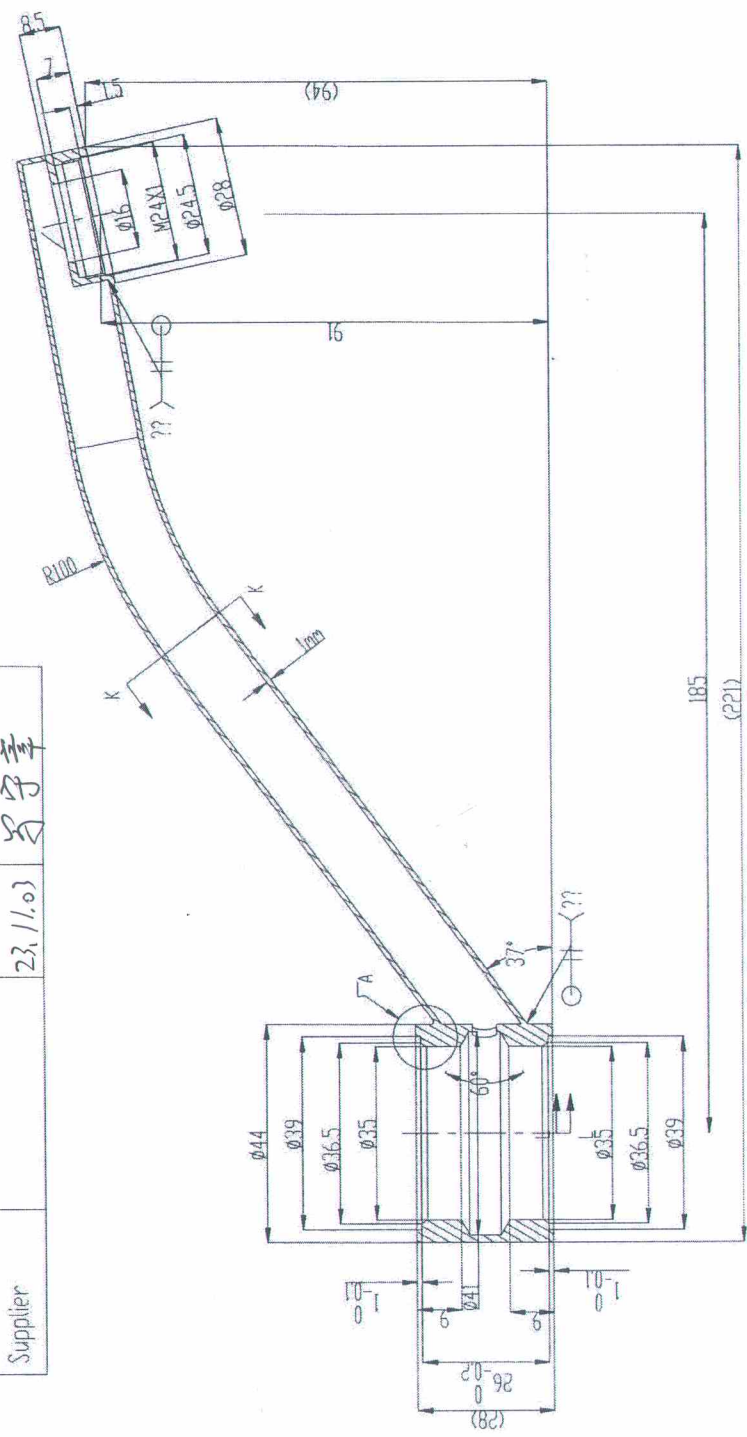
KITCHEN MIXER

No. DRW: 96 096-00 (96096)

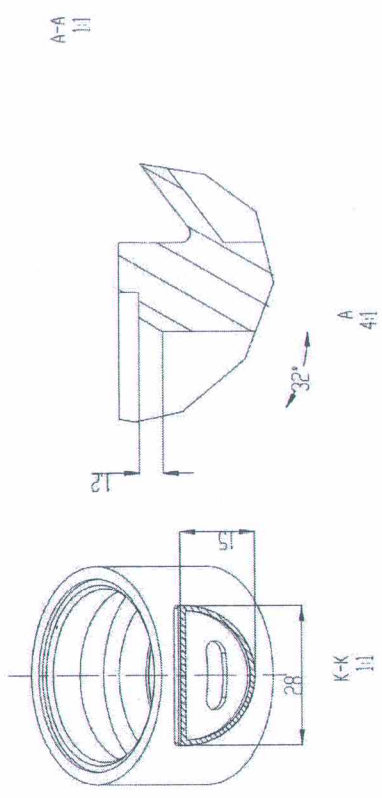
Scale: 1:1

Scale: 1 of 1

ED: A				
	Approved	Date	Signature	
	Novaservis	2.11.2023	<i>[Signature]</i>	
	Supplier	23.11.03	马宇幸	



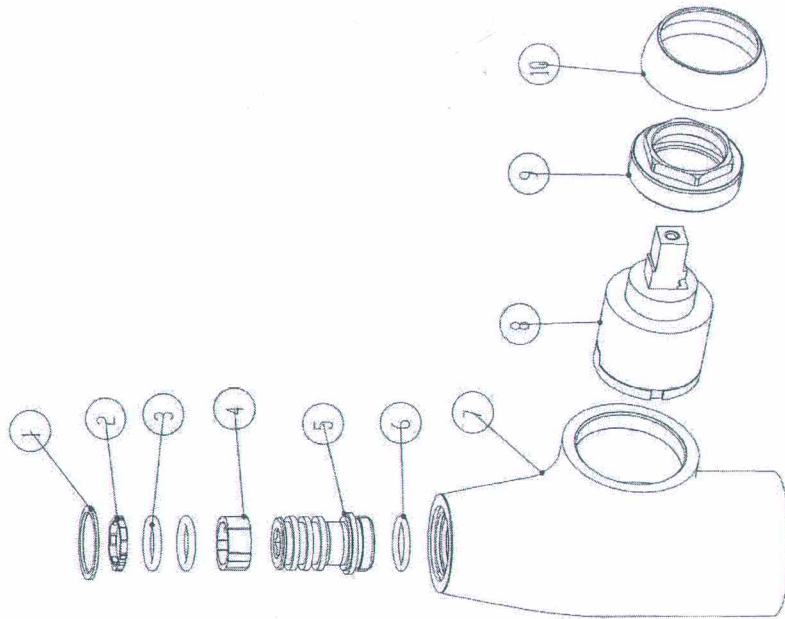
受控章



Polished, Chrome-plated (thickness Ni 5 microns and Cr 0.15 microns)

				Spout Title	
				No. RPV	Scale
No. RPV 96 096-02 (2670475) A3 Rev.		No. RPV Scale		Date 11.03.23 Sheet 1 of 1	
(Services for new and similar designs without material transfer restrictions of 2308 th Novaservis for trade and industrial purposes related to the design of the product.)				Rev. Date Name 15.09.2023 Cejpek F. Material B1023/H62 Weight 28 Pieces max 2	
06	07	08	09	10	11
Rev.	Date	Date	Date	Date	Design

EDA



受控章

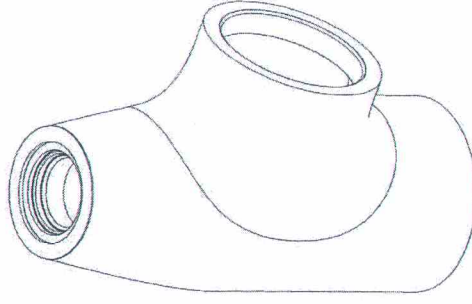
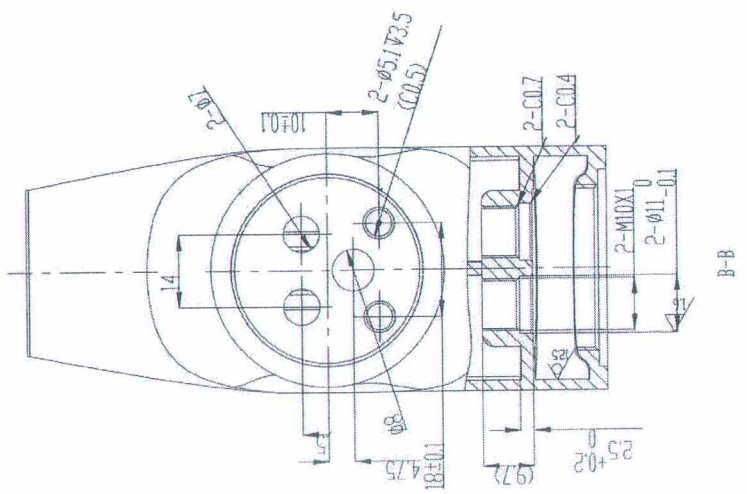
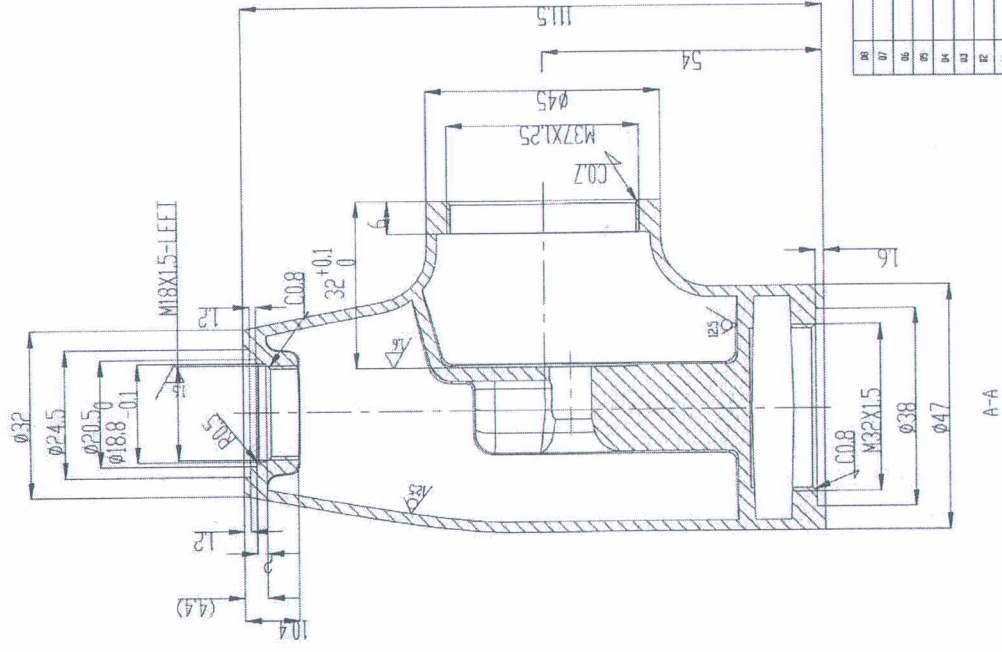
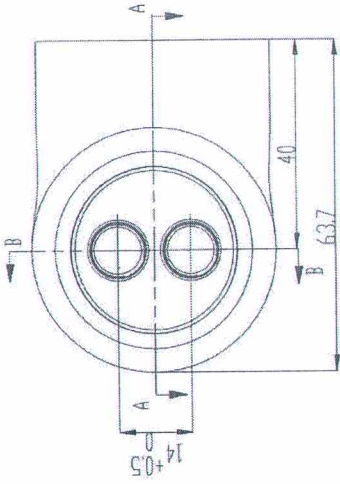
	Approved	Date	Signature
Novaservis	Ce jpek F.	13.10.2023	<i>Cejpek</i>
Supplier:		23.11.03	马守辛

Rev.	No	Date	Change	PART NO	PART NAME	MODEL	QTY	Material
10	92000-03			2020041	Cover		1	ABS
9	92000-02			2020092	CA Nut		1	57-3
8				2710002	WANHAI Cartridge		1	35D-2
7	96713-01			2140224	Body		1	CC75/S*
6				2550021	O-ring	Ø14*2	1	NBR
5	96713-02			2610074	Connection		1	CW617N
4				2040043	Clam		1	PDM
3				2550120	O-ring	Ø13*2.5	2	NBR
2				2040049	Clam		1	PDM
1				2050074	Gasket	24X20X1	1	PIFE

Tolerance for linear and diameter dimensions without individual indications: ... ± 0.2/0.1 mm		Tolerance for radius and chamfer without individual indications: ... R0.2/R0.1	
Draw	Date	Name	Co. jpek F.
	19.09.2023		
Material		Weight (g)	Surface (cm²)
		590	
Rev.	No	Date	Change
Scale		1:1	
No. IRW		96 713-00 (96713)	
Title		KITCHEN MIXER	
No. IRW		96 713-00 (96713)	
Scale		1:1	
Rev.		A3	
Page		1 of 1	

novaservis

ED : A



受控章

	Approved	Date	Signature
Novaservis	Cejpek F.	13.02.2023	<i>Cejpek</i>
Supplier		23.11.07	马守幸

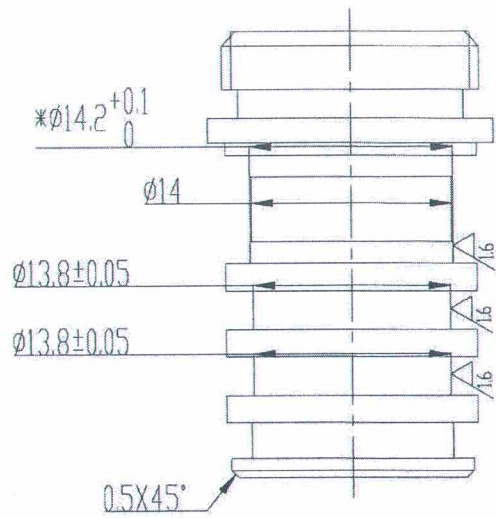
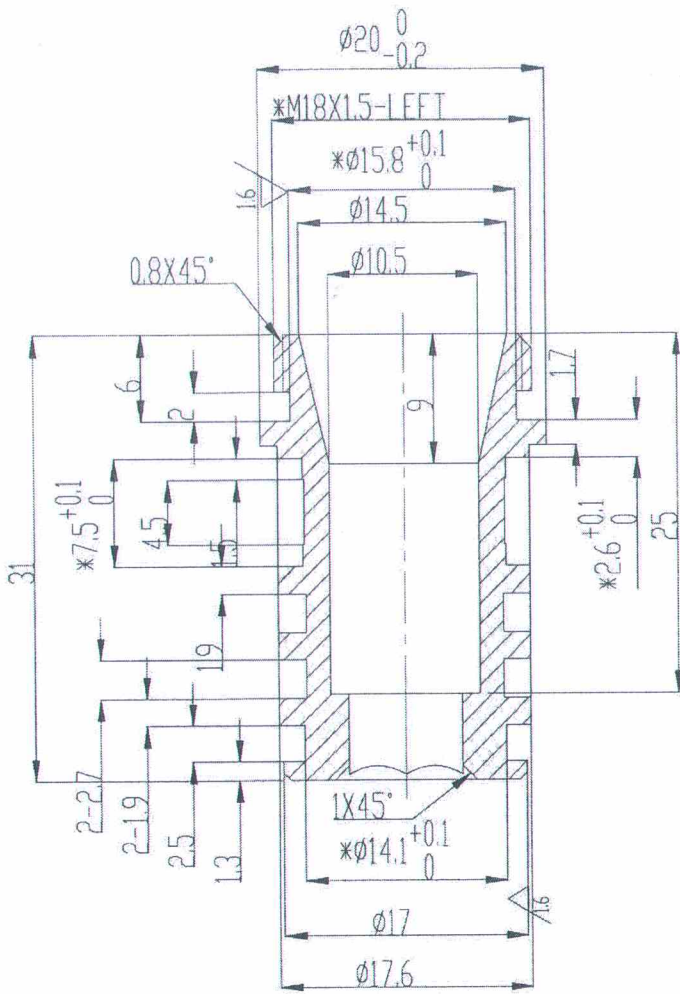
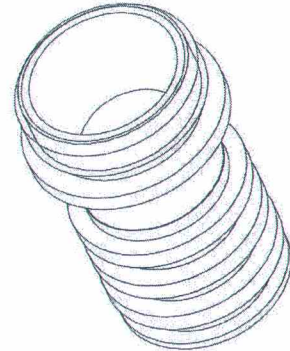
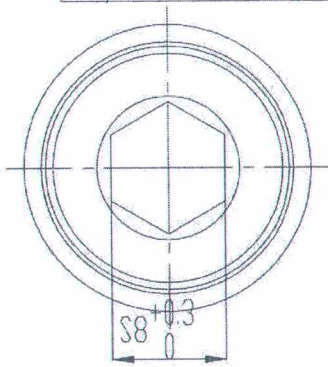
Polished, Chrome-plated (thickness Ni 5 microns and Cr 0.15 microns)

References for force and direction dimensions, other individual reference indicators (ISO 2194) and tolerances for radius and chamfer without individual tolerance indications... (ISO 2194)		Title Body	
Drwa	13.02.2023	Cejpek F.	No. 96/04
Material	CC75S*	Weight (kg)	96 713-01 (2140224)
Scale	1:1	Sheet 1 of 1	A3

novaservis

ED:B

	Approved	Date	Signature
Novaservis	Cejpek F.	13.02.2023	<i>GjM</i>
Supplier		23.11.03	马守章



受控章

08				Tolerances for linear and diameter dimensions without individual tolerance indications: ISO 2768-n Tolerances for radius and chamfer without individual tolerance indications: ISO 2768-n	novaservis				
07									
06					Title Connection				
05									
04				Draw	19.9.2023	Cejpek F.	No. DRW: 96 713-02		
03				Material:	CW617N				
02				Weight(g)	26.8	Surface (cm ²)	A4		
01				Rev.	Koa B7				Scale: 1:1
Rev.	Name	Date	Change	Koa B7		blade 1 of 1			