

受控章

NO	PART NO	CODE	PART NAME	MODEL	QTY	Material
5	9200-01	2110190	Body		1	CC75T5
4	2210037	2210037	Plug		1	ABS
3		2710002	WH Cartridge		1	35D-2
2	9200-02	2020092	CA Nut		1	57-3
1	9200-03	2020041	Cover		1	ABS

03									
07									
05									
04									
03									
02									
01									

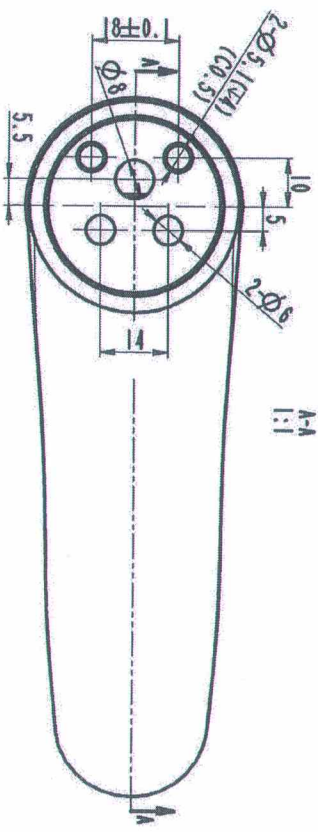
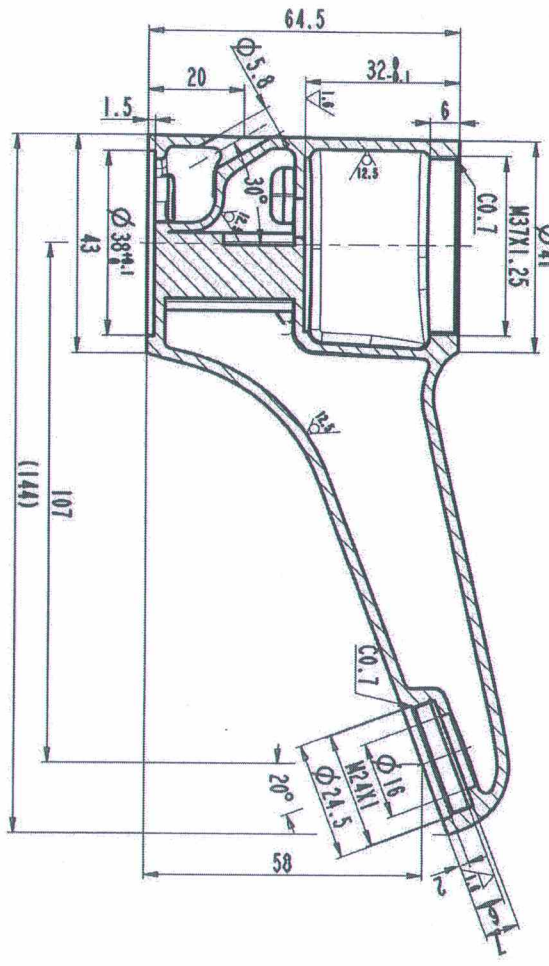
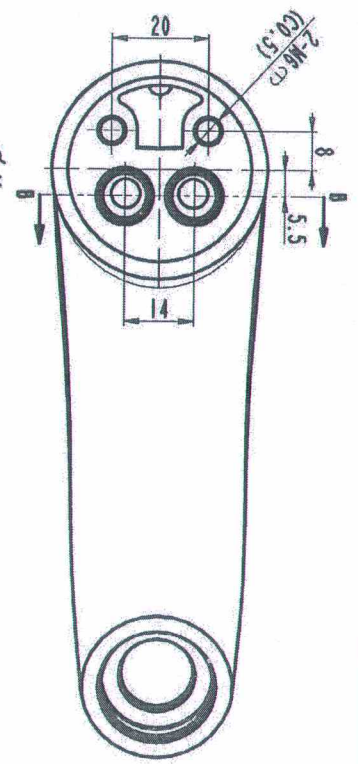
Rev.	Issue	Date	Change	Weight	Food Itm	Product desc	Scale	Issue
					0520079000		10	Issue 1 of 1

Approved	Date	Signature
	15.5.2023	<i>[Signature]</i>

Novaservis	Cejpek F.	Supplier
23.06.01		

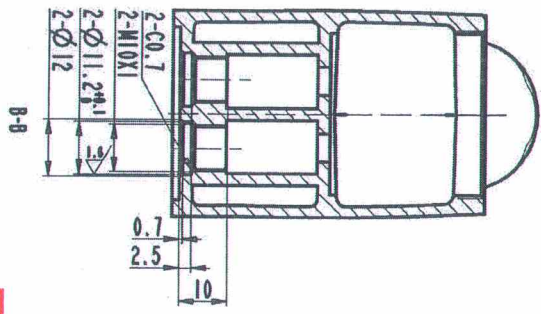
**novaservis**  
 WASH BASIN MIXER  
 No. IRVA 92 001-00  
 Scale 10  
 Issue 1 of 1  
 Rev. A3

ED:A



A-A  
1:1

	Approved	Date	Signature
Novaservis	Cejpek F.	29.5.2023	<i>Cejpek F.</i>
Supplier		23.06.01	马守章



B-B

受控章

Polished, Chrome-plated (thickness Ni 5 microns and Cr 0.15 microns)

**NOVASERVIS**

Title  
Body

Rev.	Desc.	Date	Change	Author	Checked	Lead Eng.	Customer	Scale	Sheet	Total
01									1/1	1/1
02										
03										
04										
05										
06										
07										
08										
09										
10										
11										
12										
13										
14										
15										
16										
17										
18										
19										
20										
21										
22										
23										
24										
25										
26										
27										
28										
29										
30										
31										
32										
33										
34										
35										
36										
37										
38										
39										
40										
41										
42										
43										
44										
45										
46										
47										
48										
49										
50										
51										
52										
53										
54										
55										
56										
57										
58										
59										
60										
61										
62										
63										
64										
65										
66										
67										
68										
69										
70										
71										
72										
73										
74										
75										
76										
77										
78										
79										
80										
81										
82										
83										
84										
85										
86										
87										
88										
89										
90										
91										
92										
93										
94										
95										
96										
97										
98										
99										
100										

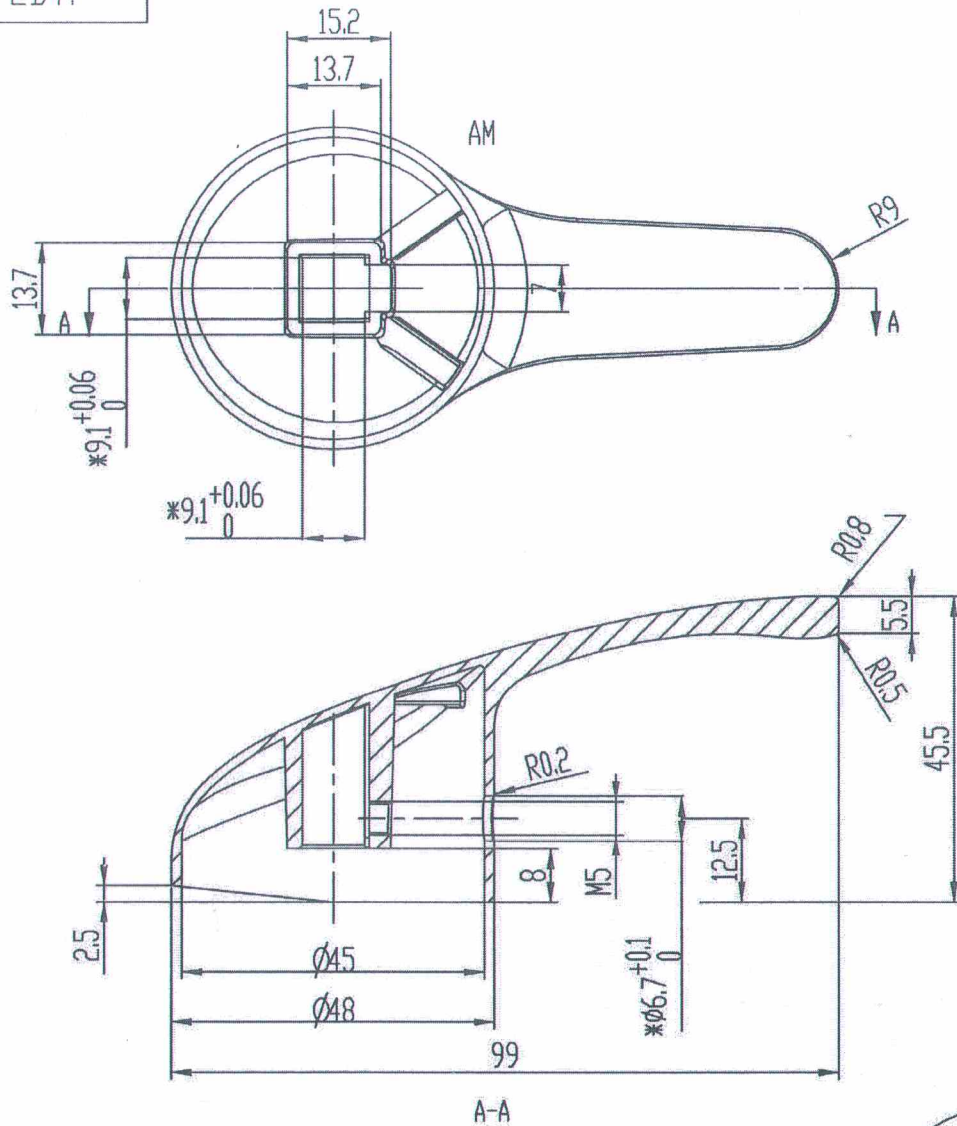
No. 92 001-01 (2110190)

A3

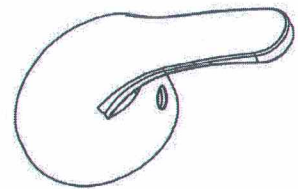


ED:A

3.2



受控章

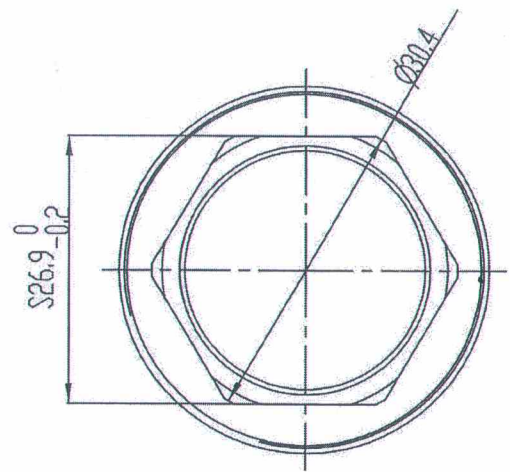
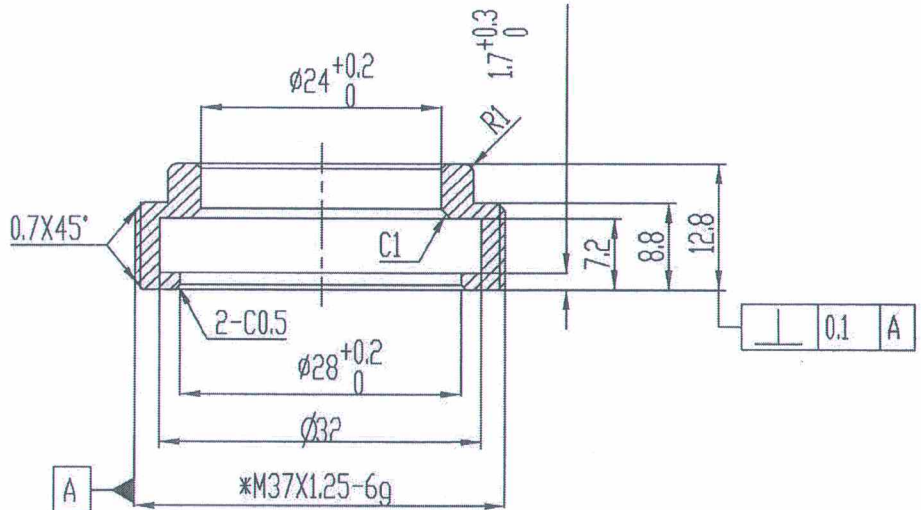


	Approved	Date	Signature
Novaservis	Cejpek F.	30.5.2023	<i>Cejpek</i>
Supplier		23.06.01	马守章

08				Tolerances for linear and diameter dimensions without individual tolerance indications ISO 2768-m		<b>NOVASERVIS</b>	Title	Handle	No BRV:	92 000-01 (2240051)	A4
07				Tolerances for radius and chamfer without individual tolerance indications, ISO 2768-n							
06				Date	Name						
05				Draw	7.3.2023	Chen Bo					
04				Material							
03				Zinc							
02				Weight(g)	98	Surface (cm <sup>2</sup> )					
01				Kod B7:							
Rev.	Name	Date	Change			Scale	1:1	blade 1 of 1			

ED:A

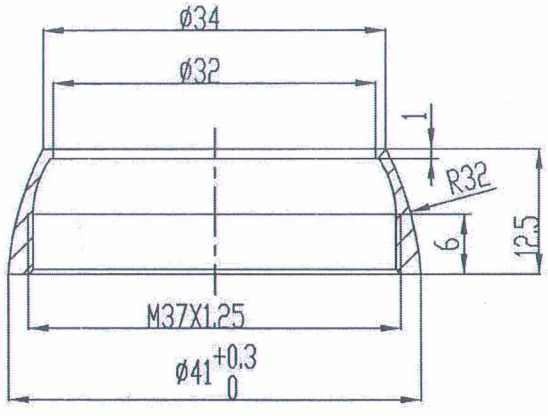
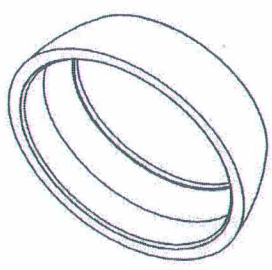
	Approved	Date	Signature
Novaservis	Cejpek F.	29.5.2023	<i>Cejpek</i>
Supplier		23.06.01	马守章



受控章

08				Tolerances for linear and diameter dimensions without individual tolerance indications: ISO 2768-m Tolerances for radius and chamfer without individual tolerance indications: ISO 2768-n	novaservis		
07							
06					Title	CA nut	
05							
04					Drew	21.2.2023	Chen Bo
03					Material	57-3	
02					Weight(g)	29	Surface (dhp)
01					Rev.		
Rev.	Name	Date	Change	Kod B7i	Scale	1:1	Blade 1 of 1

ED:A		Approved	Date	Signature
	Novaservis	Cejpek F.	29.5.2023	<i>Cejpek</i>
	Supplier		23.06.01	马宇章



受控章

08				Tolerances for linear and diameter dimensions without individual tolerance indications: ISO 2768-m		novaservis	TITLE	Cover	No. DRV:	92 000-03 (2020041)	A4
07				Tolerances for radius and chamfer without individual tolerance indications: ISO 2768-n							
06											
05				Date	None						
04				Drew	21.2.2023	Chen Jo					
03				Material							
02				ABS							
01				Weight(g)	3	Surface (mm <sup>2</sup> )					
Rev.	Name	Date	Change	Kod B7:	Scale	1:1	blade 1 of 1				