

	Approved	Date	Signature
Novaservis	Cejpek F.	15.5.2023	<i>Cejpek F.</i>
Supplier		23.06.01	马守军

受控章

NO	PART NO	CODE	PART NAME	MODEL	QTY	Material
14	2050057		Washer	19X11X2	1	NBR
13	2320070		Aerator insert		1	ABS
12	2340027		20 Aerator Housing		1	57-3
11	92 005-06		Screwed pipe		1	57-3
10	92 005-05		Back nut	G1/2	1	57-3
9	92 005-07		Seal	45X21X2.5	1	NBR
8	2550021		O-ring	Ø4*2	1	NBR
7	92 005-01		Body		1	CC7575*
6	2710097		WH 25mm Cartridge		1	25DK-2
5	92 005-04		CA Nut		1	57-3
4	92 005-03		Cover		1	ABS
3	92 005-02		Handle		1	Zinc
2	2070001		Screw	MSX6	1	SUS201
1	2210044		Indicator		1	ABS

08							
07							
06							
05							
04							
03							
02							
01							

Title <b>NOVASERVIS</b> BASIN MIXER FOR COLD WATER	No. DRW 92 005-00	Scale 1:1	Page 1 of 1
--	----------------------	--------------	----------------

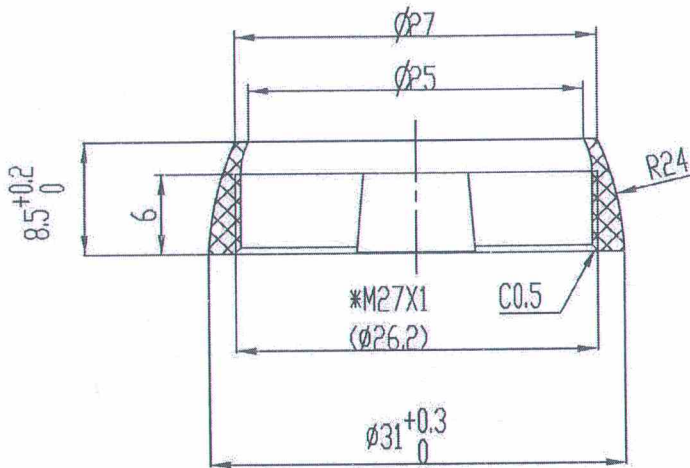
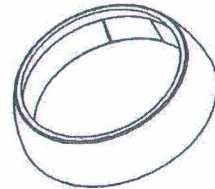
Draw Date 15.3.2023	Name Chen Jie	Weight 01520M5990000	Surface Area 01520M5990000
------------------------	------------------	-------------------------	-------------------------------





ED:B

3.2

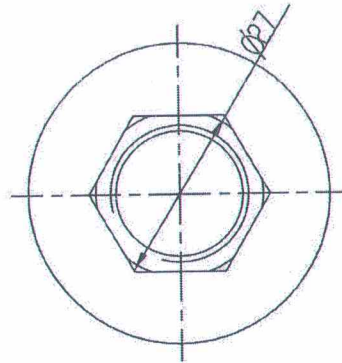
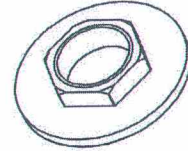
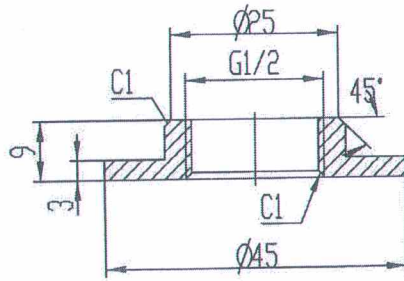


受控章

	Approved	Date	Signature
Novaservis	Cejpek F.	29.5.2023	<i>Cejpek F.</i>
Supplier		23.06.01	马子章

08				Tolerances for linear and diameter dimensions without individual tolerance indications: ISO 2768-m Tolerances for radius and chamfer without individual tolerance indications: ISO 2768-n	<b>novaservis</b>			
07								
06					Title	Cover		
05					Drew	15.3.2023	Chen Bo	
04				Material	ABS			
03				Weight(g)	1.4	Surface (dm <sup>2</sup> )		
02				No. DRW	92 005-03	2020031	A4	
01				Rev.			Rev.	
Rev.	Name	Date	Change	Kod B7:	0192005990000	Scale	1:1	Blade 1 of 1

ED:A

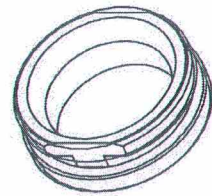
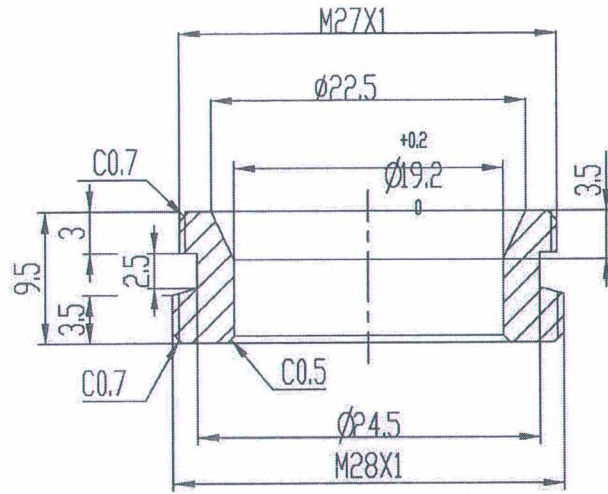


受控章

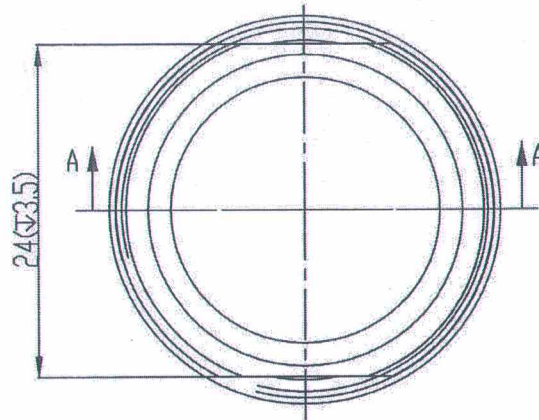
	Approved	Date	Signature
Novaservis	Cejpek F.	15.5.2023	<i>Cejpek</i>
Supplier		23.06.01	刁宇章

08				Tolerances for linear and diameter dimensions without individual tolerance indications: ISO 2768-m Tolerances for radius and chamfer without individual tolerance indications: ISO 2768-n	<b>novaservis</b>		
07							
06					Title Back nut		
05					No DRV: 92 005-05 2010061 A4		
04				Date: 15.3.2023 None Drawn: Chen Bo	Scale: 1:1 Page: 1 of 1		
03				Material: 57-3			
02				Weight (g): 42 Plocha (dm2):			
01				Kod B7: 0192005990000			
Rev.	Name	Date	Change				

E.D:B



A-A  
2:1



受控章

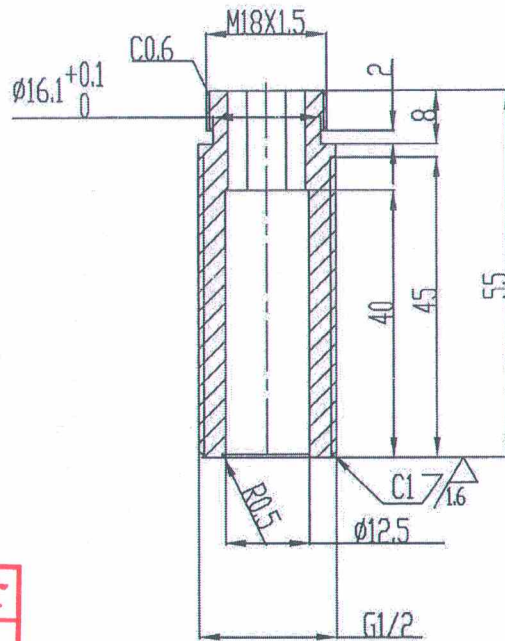
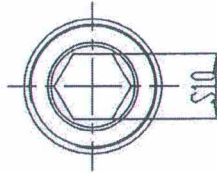
	Approved	Date	Signature
Novaservis	Ce jpek F.	30.5.2023	<i>Ce jpek</i>
Supplier		23.06.01	马守章

08				<p>Tolerances for linear and diameter dimensions without individual tolerance indications: ISO 2768-m</p> <p>Tolerances for radius and chamfer without individual tolerance indications: ISO 2768-n</p>	<p><b>novaservis</b></p>				
07									
06					Title: CA nut				
05					Date	Name	No. DRV: 92 005-04	2020081	A4
04					Drew	15.3.2023			
03					Material: 57-3			Rev.	
02					Weight(g)	18	Surface(dm <sup>2</sup> )		
01					Kod B7: 0192005990000			Scale: 1:1	blade 1 of 1
Rev.	Name	Date	Change						



ED:A

3.2



受控章

	Approved	Date	Signature
Novaservis	Cejpek F.	15.5.2023	<i>Cejpek</i>
Supplier		23.06.01	受控章

08									
07									
06									
05									
04									
03									
02									
01									
Rev.	Name	Date	Change	Kod B7:	0192005990000	Scale	1:1	blade 1 of 1	

Tolerances for linear and diameter dimensions without individual tolerance indications ISO 2768-m  
Tolerances for radius and chamfer without individual tolerance indications . . . ISO 2768-n

**novaservis**

Title  
Screwed pipe

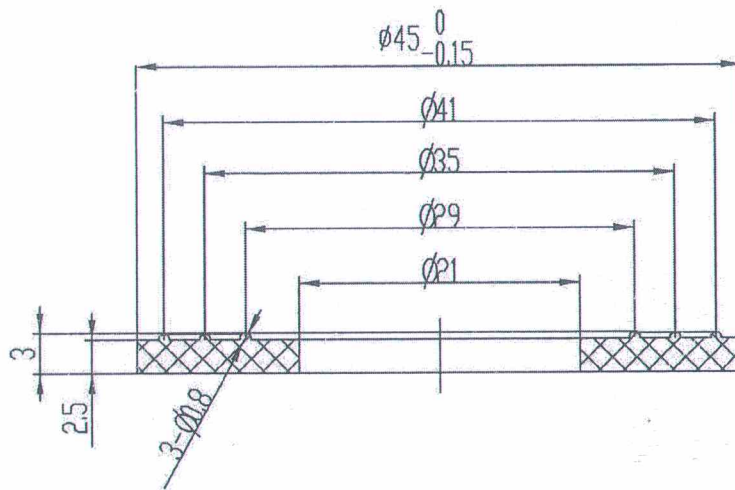
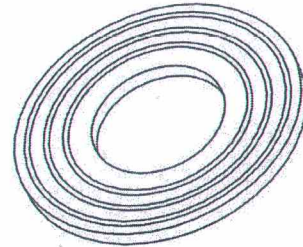
No. IRV: 92 005-06

2520025

A4  
Rev.

ED:A

1.6



受控章

	Approved	Date	Signature
Novaservis	Cejpek F.	24.5.2023	<i>Cejpek</i>
Supplier		23.06.01	马字章

08				Tolerances for linear and diameter dimensions without individual tolerance indications: ISO 2768-m Tolerances for radius and chamfer without individual tolerance indications: ISO 2768-n				
07								
06					Title: Seal			
05					No. DRV: 92 005-07			
04					2050080			
03					A4			
02					Rev.			
01								
Rev.	Name	Date	Change	Kod B7: 0192005990000	Scale: 1:1	Made 1 of 1		