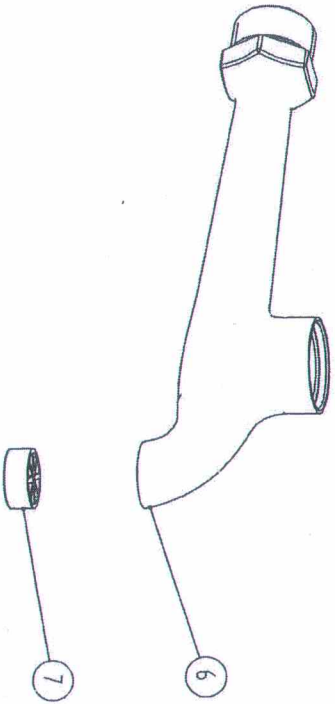
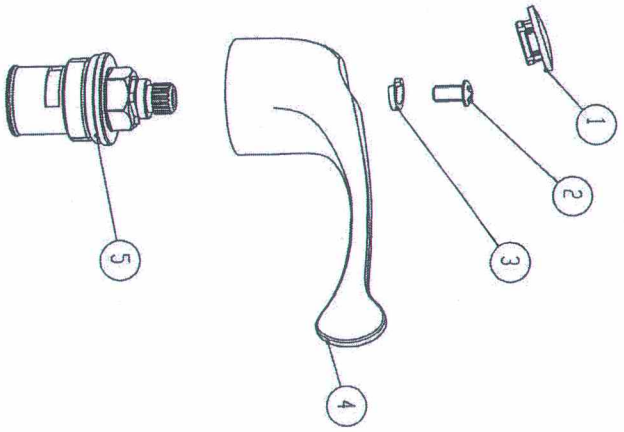


EDA



受控章

NO	PART NO	DESCRIPTION	QTY	Material
7		Aerator insert	1	PPH
6	92006-01	Body	1	CC757S*
5	92006-03	Brass cartridge	1	S7-3
4	92006-02	Handle	1	Zinc
3	2030038	Spring washer	1	SUS201
2	2070030	Screw	1	SUS201
1	92006-04	Indicator	1	ABS
NO	PART NO	PART NAME	QTY	Material

Rev.	Howe	Date	Change
08			
07			
06			
05			
04			
03			
02			
01			

Tolerances for linear and diameter dimensions without individual tolerance fractions 1/100 mm.
 Tolerances for radii and chamfers without individual tolerance fractions: 1/100 mm.
 Date: 13.03.2023
 Drawn: Chen Bo
 Checked:

novaservis

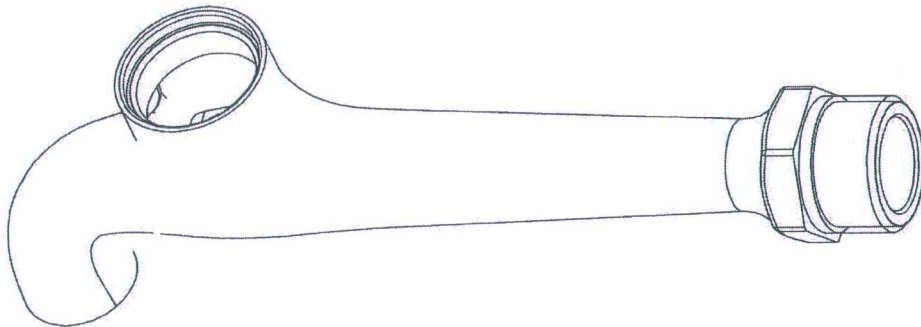
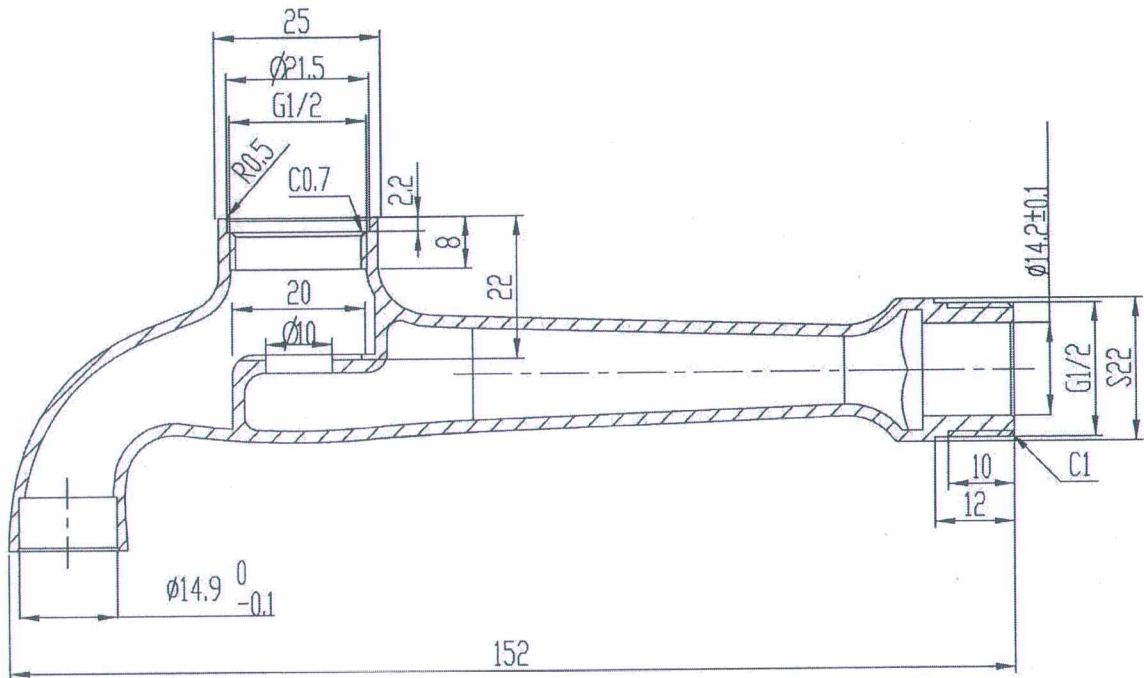
BASIN MIXER FDR COLD WATER

No. BSM: 92 006-00
 Scale: 1:1
 Made: 1 of 1
 Rev: A3

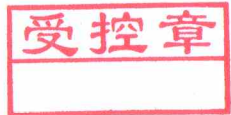
Approved	Date	Signature
Ce jpek F.	15.5.2023	<i>Cyrid</i>
Supplier	23.06.12	马守孝

ED:A

3.2



	Approved	Date	Signature
Novaservis	Cejpek F.	9.6.2023	<i>Cejpek</i>
Supplier		23.06.12	马宇章

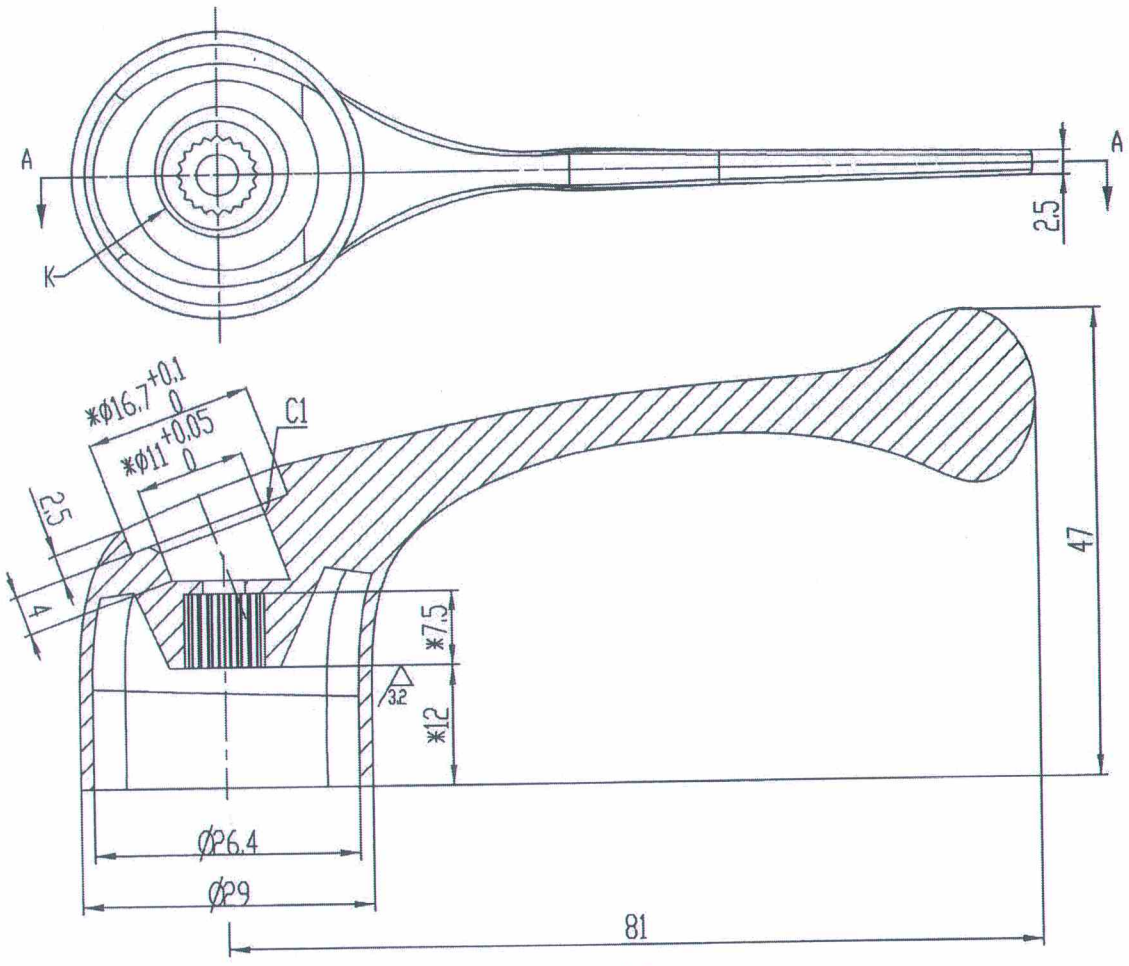


Polished, Chrome-plated (thickness Ni 5 microns and Cr 0.15 microns)

08				Tolerances for linear and diameter dimensions without individual tolerance indications: ISO 2768-m Tolerances for radius and chamfer without individual tolerance indications: ISO 2768-n	novaservis							
07								Title				
06					Body							
05					Date	Name						
04					Drew	15.3.2023	Chen Bo					
03					Material							
02					CC757S							
01					Weight(g)	155	Surface (dm ²)					
Rev.	Name	Date	Change	Kod B7:	01920069900000	Scale	1:1	blade 1 of 1	No DRV:	92 006-01	2160047	A4

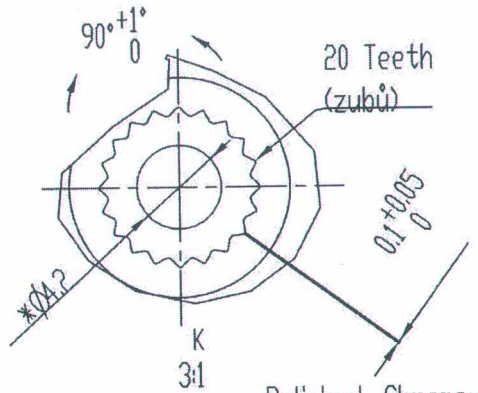
ED:A

3.2



A-A
3:2

受控章



	Approved	Date	Signature
Novaservis	Cejpek F.	7.5.2023	<i>Cejpek</i>
Supplier		23.06.12	<i>马守幸</i>

Polished, Chrome-plated (thickness Ni 5 microns and Cr 0.15 microns)

08				Tolerances for linear and diameter dimensions without individual tolerance indications: ISO 2768-m Tolerances for radius and chamfer without individual tolerance indications: ISO 2768-n	<h1>novaservis</h1>			
07								Title: Handle
06					Date: 15.3.2023		Name: Chen Bo	
05					Material: Zinc		No DRW: 92 006-02	
04					Weight(g): 54		2220033	
03					Surface (dm ²):		A4	
02					Kod B7: 0192006990000		Rev.	
01							Scale: 1:1	
Rev.	Name	Date	Change			plate 1 of 1		