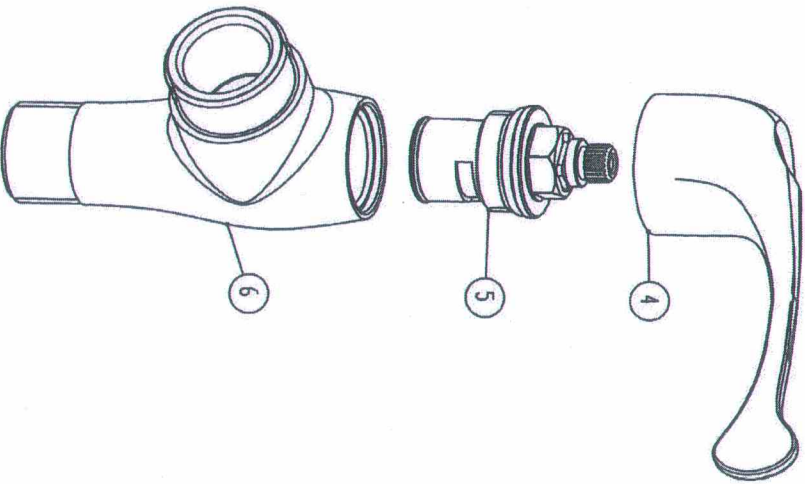
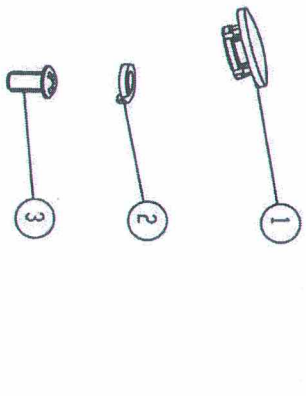


EDA



	Approved	Date	Signature
Novaservis	Cejpek F.	7.6.2023	<i>Cejpek</i>
Supplier		23.06.12	马守章

受控章

NO	PART NO	CODE	PART NAME	MODEL	QTY	Material
6	92007-01	2160016	Body		1	BRD23
5		2730028	Brass cartridge		1	57-3
4	92006-02	2220033	Handle		1	Zinc
3		2070030	Screw	M4X8	1	SUS201
2		2030038	Spring washer		1	SUS201
1		2210045	Indicator		1	ABS

08									
07									
06									
05									
04									
03									
02									
01									
Rev.	Name	Date	Change						

Tolerances for holes and diameter dimensions without individual tolerance indication: ISO 2768-m
 Tolerances for radii and chamfers without individual tolerance indication: r: ISO 2768-m

Draw	IS2023	Draw No	
Sheet		Sheet No	
Material		Material	
Weight(kg)	325	Surface (cm ²)	
Code 371	032007900000		

Title: **novaservis**
 BASIN MIXER FOR COLD WATER
 No. 371: 92 007-00 (92007-92008)
 Scale: 1:1
 Sheet 1 of 1
 Rev: A3

