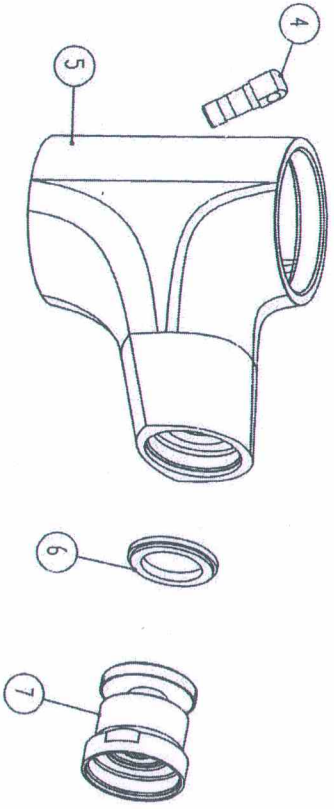
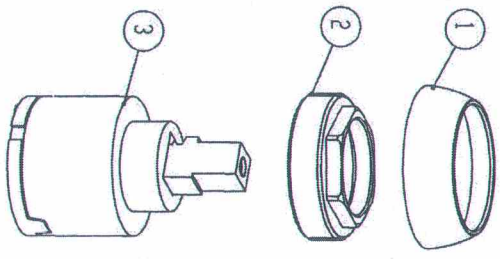


EDA



	Approved	Date	Signature
Novaservis	Cejpek F.	15.5.2023	<i>Cejpek</i>
Supplier		23.06.12	<i>冯守章</i>

受控章

NO	PART NO	CODE	PART NAME	MODEL	QTY	Material
7	92011-02	2350002	Hanger Of Aerator		1	57-3
6		2050044	Washer		1	NBR(EL)
5	92011-01	2100231	Body		1	CC75/S*
4		2210037	Plug		1	ABS
3		2710002	VH Cartridge		1	3SD-2
2	92000-02	2020092	CA Nut		1	57-3
1	92000-03	2020041	Cover		1	ABS

90									
87									
86									
85									
84									
83									
82									
81									

Revis	Name	Date	Change

Verfiktig	475	Surface (okp)
Kod B0	082011590000	

Scale	1/1	Wade 1 of 1
-------	-----	-------------

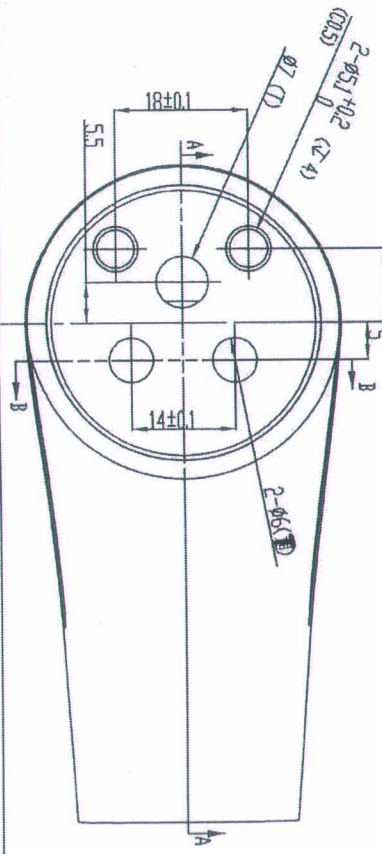
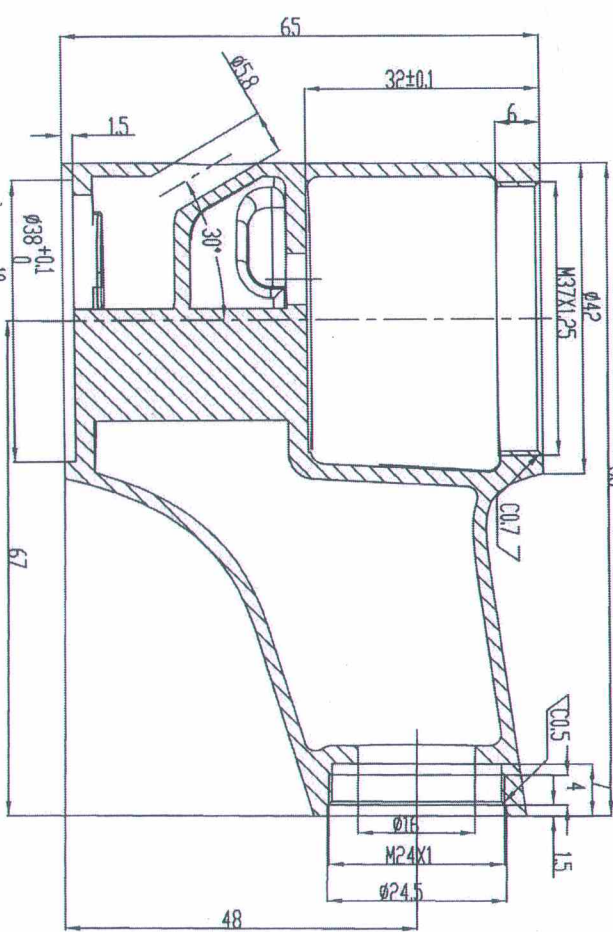
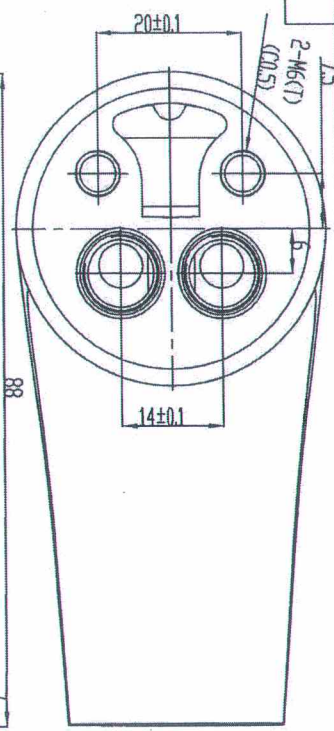
No RMA	92 011-00	A3
--------	-----------	----

**novaservis.**

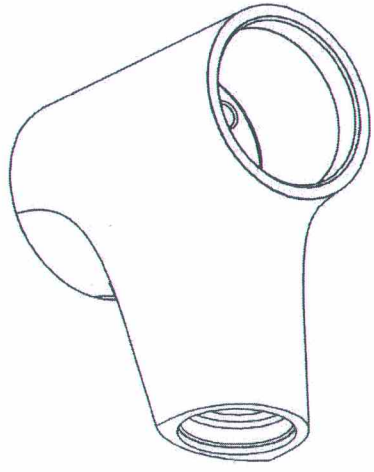
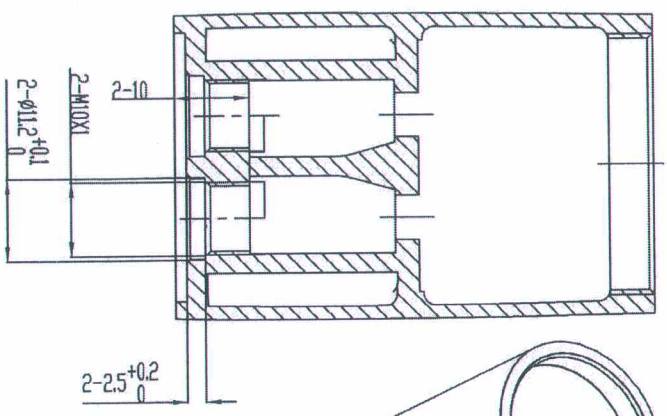
Bidet mixer

E)1/A

2-M6(7)  
(0.05)



	Approved	Date	Signature
Novaservis	Cejpek F.	21.6.2023	
Supplier		23.06.12	马守革



受控章

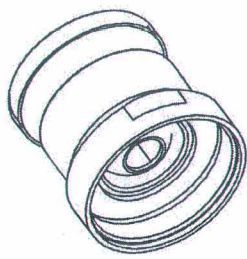
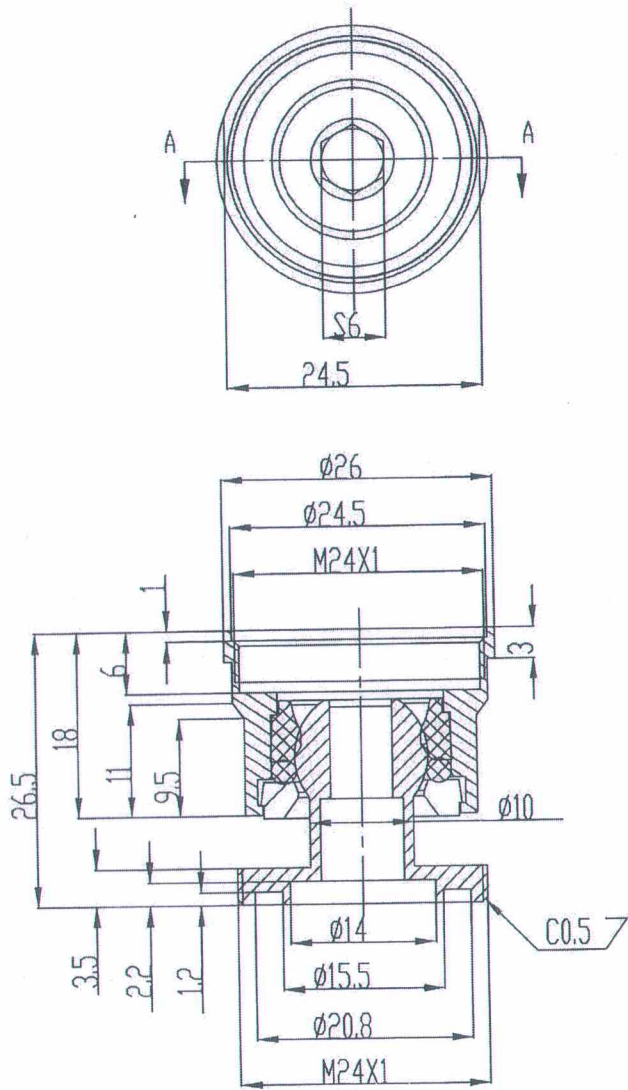
Polished, Chrome-plated (thickness Ni 5 microns and Cr 0.15 microns)

NO	NOVASERVIS	NO	NOVASERVIS
07	Body	92 011-01	2110231
08	Material	Scale	1:1
09	Weight (kg)	11	1
10	Surface (cm²)		
11	Material		
12	Material		
13	Material		
14	Material		
15	Material		
16	Material		
17	Material		
18	Material		
19	Material		
20	Material		



ED:A

3.2



受控章

A-A  
3:2

	Approved	Date	Signature
Novaservis		15.5.2023	
Supplier		23.06.12	

Polished, Chrome-plated (thickness Ni 5 microns and Cr 0.15 microns)

08					novaservis	Title Housing for aerator		
07								
06					Tolerances for linear and diameter dimensions without individual tolerance indications: ISO 2768-m Tolerances for radius and chamfer without individual tolerance indications: ISO 2768-n			
05					Date	None	No DRW: 92 011-02	
04				Drew	15.3.2023	Chen Bo		
03					Material: 57-3		A3	Rev.
02					Weight(g): 35	Plocha (dm2)		
01					Kod B7: 0192011990000	Scale: 1:1	Made 1 of 1	
Rev.	Name	Date	Change					