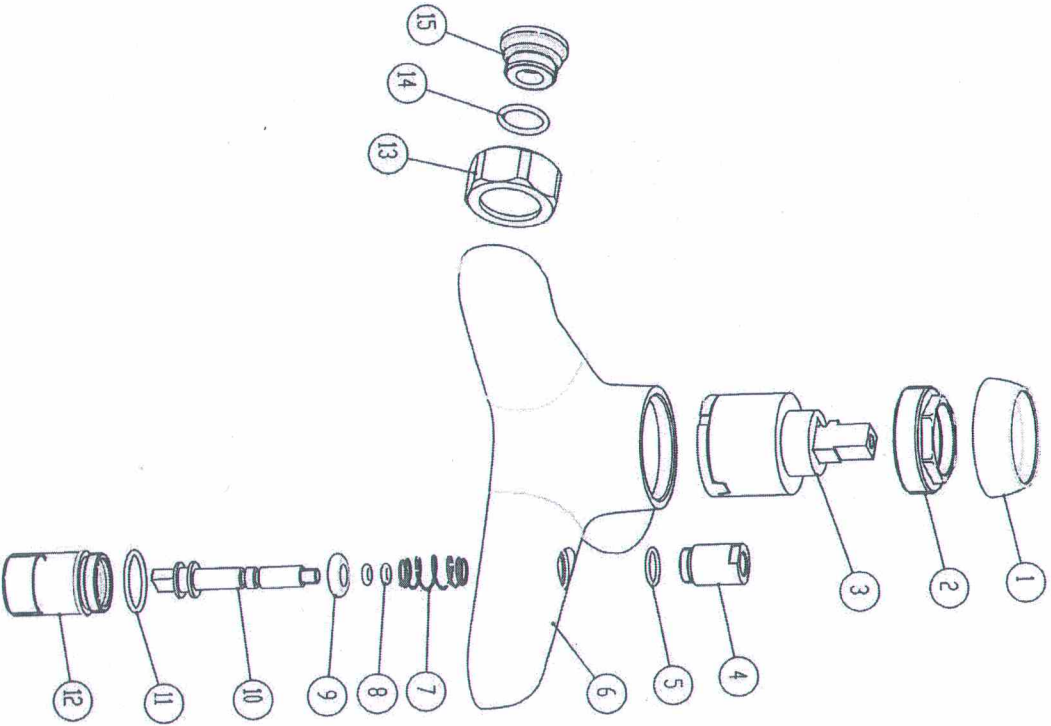


ED:A



	Approved	Date	Signature
Novaservis	Cejpek F.	15.5.2023	<i>Cejpek</i>
Supplier		23.06.20	马守章

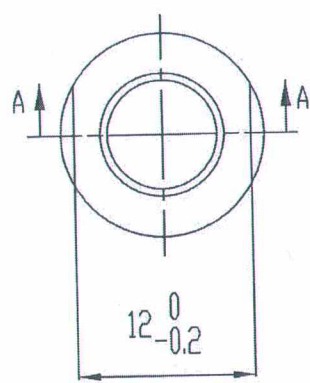
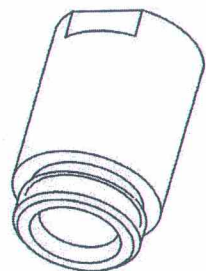
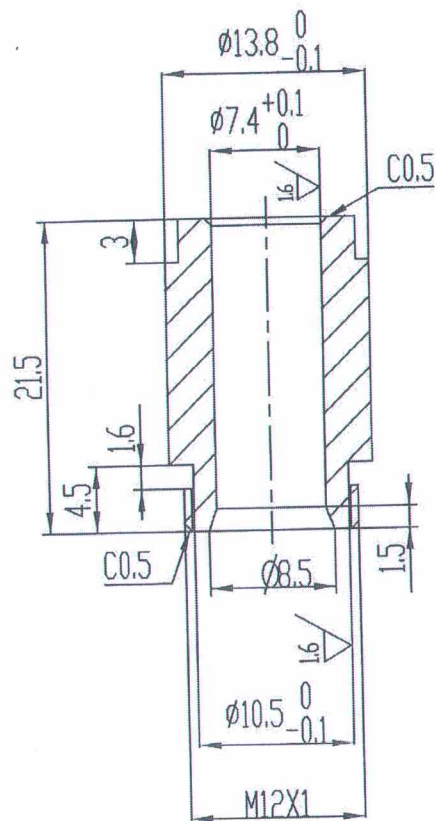
受控章

NO.	PART.ND	CODE	PART NAME	Model	QTY	Material
15		2510022	Seat		2	SUS304
14		2550021	O-ring	Ø14*2	2	NBR
13		2510016	Sleeve nut		2	57-3
12	92020-04	2630026	Lower part of Diverter		1	57-3
11		2550035	O-ring	Ø16*1.9	1	NBR
10	92020-03	2640092	Diverter Rod	M5	1	57-3
9		2050000	Seal		1	NBR
8		2550023	O-ring	Ø3.5X1.8	2	NBR
7		2080016	Spring		1	SUS304
6	92020-01	2120018	Body	Ø9X1.5	1	CC757S*
5		2550011	O-ring		1	NBR
4	92020-02	2620026	Diverter Sleeve		1	57-3
3		2710002	W/H cartridge		1	3SD-2
2	92000-02	2020092	CA Nut		1	57-3
1	92000-03	2020041	Cover		1	ABS

NO.	Rev.	Change	Reason
06			
07			
08			
09			
10			
11			
12			
13			
14			
15			

Weight	0.85	Surface	Cap
Code	01222023	Item No	
Material	Novaservis		
Model	BATH MIXER		
Scale	1:1	Scale	
Part	92 020-00	Scale	
Rev.		Scale	

ED:B		Approved	Date	Signature
	Novaservis	Cejpek F.	15.5.2023	<i>Cejpek</i>
	Supplier		23.06.20	马守章

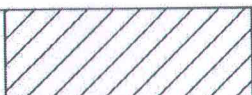
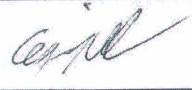


受控章

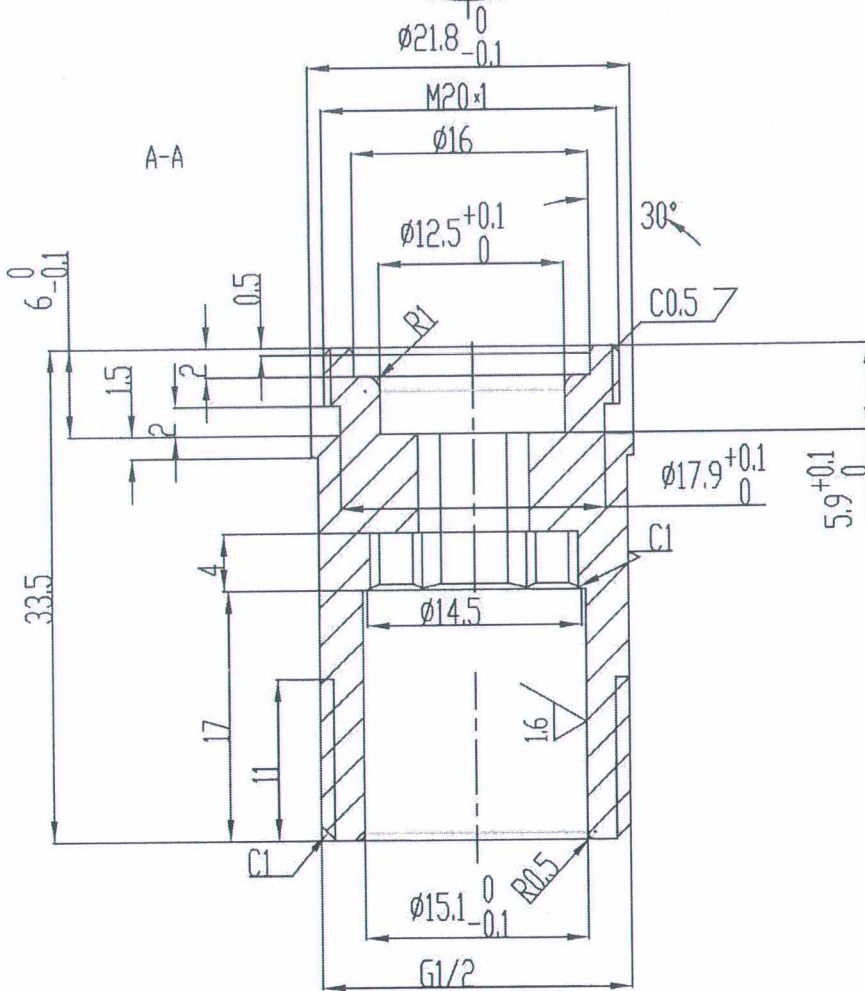
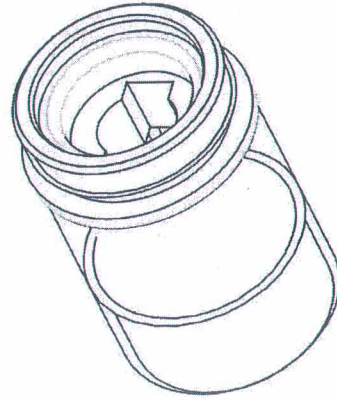
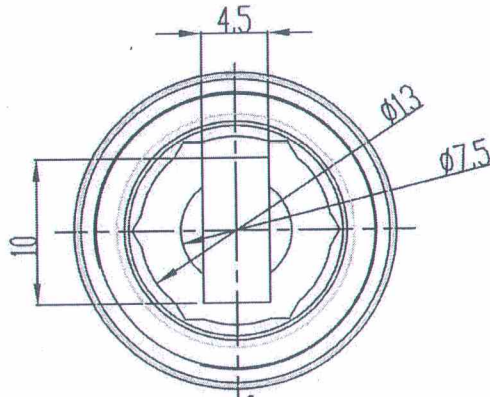
Polished, Chrome-plated (thickness Ni. 5 microns and Cr 0,15 microns)

08				Tolerances for linear and diameter dimensions without individual tolerance indications ISO 2768-m Tolerances for radius and chamfer without individual tolerance indications . ISO 2768-n	novaservis					
07										
06					Title					
05				Date	Name	Diverted sleeve				
04				Drew	23.2.2023	Chen Bo				
03				Material	57-3		No DRW	92 020-02	2620026	A4
02				Weight(g)	15	Surface (dm ²)				Rev.
01				Kod B7i	01920209900000		Scale	1:1	blade 1 of 1	
Rev.	None	Date	Change							

ED:B

	Approved	Date	Signature
Novaservis	Cejpek F.	75.5.2023	
Supplier		23.06.20	马守章

3.2 



受控章

Polished, Chrome-plated (thickness Ni. 5 microns and Cr 0,15 microns)

08				Tolerances for linear and diameter dimensions without individual tolerance indications: ISO 2768-m Tolerances for radius and chamfer without individual tolerance indications: ISO 2768-n	novaservis [®]			
07								
06					Title: Lower part of diverter			
05				Date	Name	No DRV:		A4
04				Drew	23.2.2023	Chen Bo	92 020-04	
03				Material:		2630026	Rev.	
02				57-3				
01				Weight(g)	45	Surface (dm ²)		
Rev.	Name	Date	Change	Kod B7: 01920209900000		Scale	1:1	plate 1 of 1