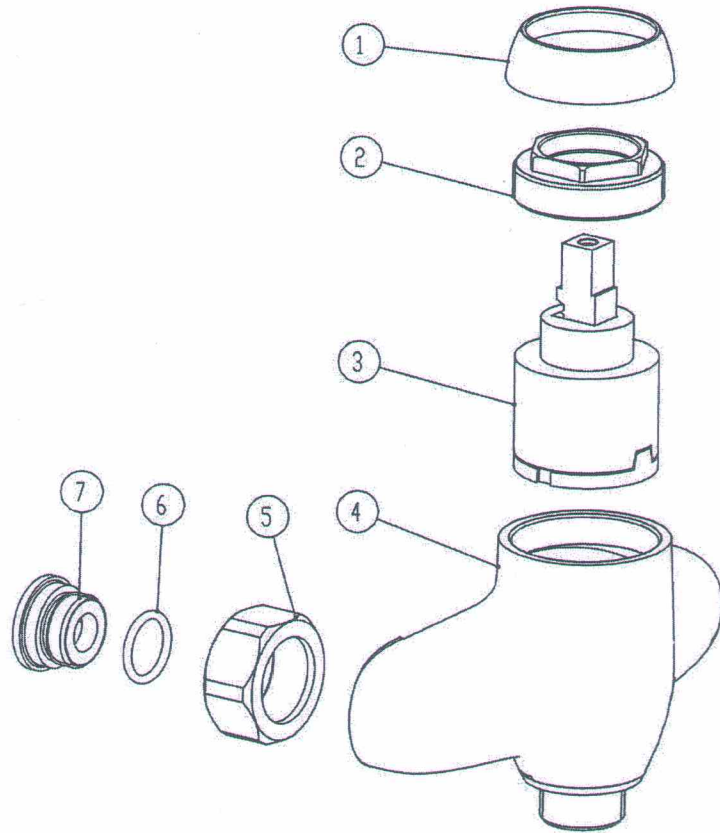


ED:A

	Approved	Date	Signature
Novaservis	Cejpek F.	15.5.2023	<i>Cejpek</i>
Supplier		27.07.27	马守章



受控章

NO.	PART.NO	CODE	PART NAME	Model	QTY	Material
7		2510022	Seat		2	SUS304
6		2550021	O-ring	Ø14*2	2	NBR
5		2510016	Sleeve nut		2	57-3
4	92064-01	2130095	Body		1	CC757S*
3		2710002	WH cartridge		1	35D-2
2	92000-02	2020092	CA Nut		1	57-3
1	92000-03	2020041	Cover		1	ABS

08				Tolerances for linear and diameter dimensions without individual tolerance indications: ISO 2768-m		novaservis
07				Tolerances for radius and chamfer without individual tolerance indications: ISO 2768-n		
06				Title		SHOWER MIXER
05				Date	Name	
04				Draw	13.3.2023	Chen Bo
03				Material		No DRW 92 064-00
02						
01				Weight(kg)	560	Surface (dm ²)
Rev.	Name	Date	Change	Kod B7	0192064990000	Scale

A3

Rev.

