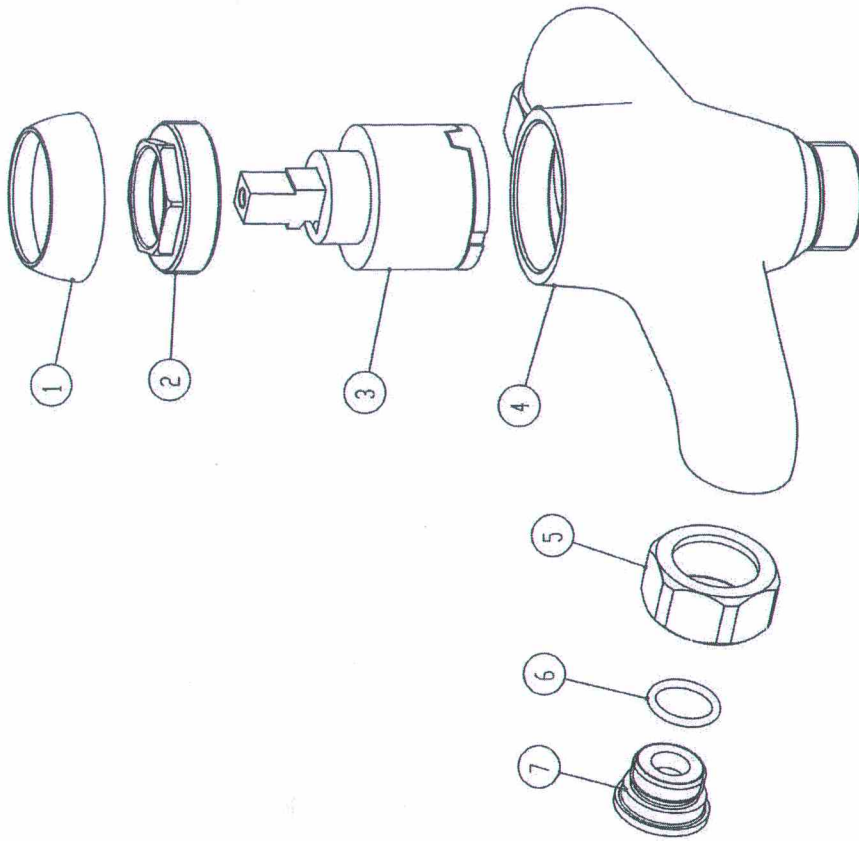


ED:A

	Approved	Date	Signature
Novaservis	Ce jpek F.	23.5.2023	<i>[Signature]</i>
Supplier		23.08.25	吕守章



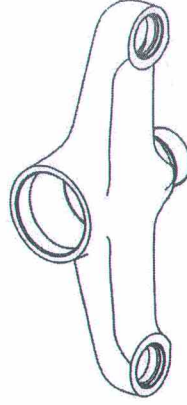
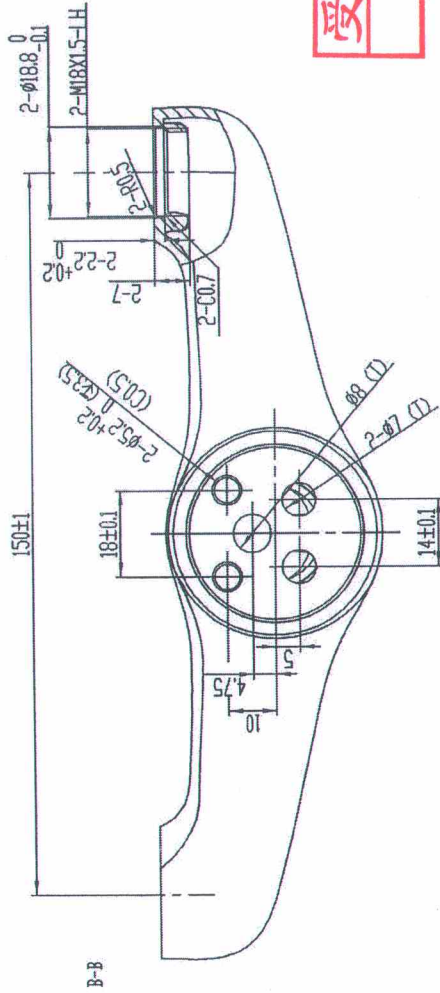
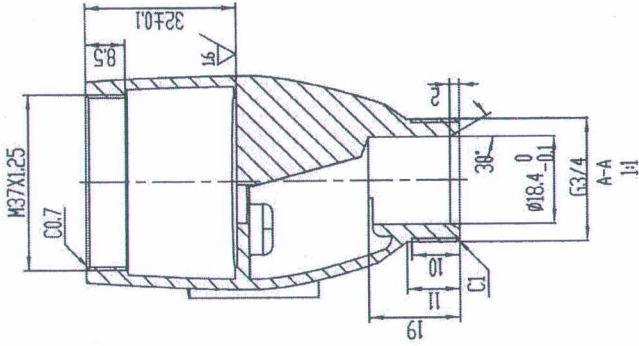
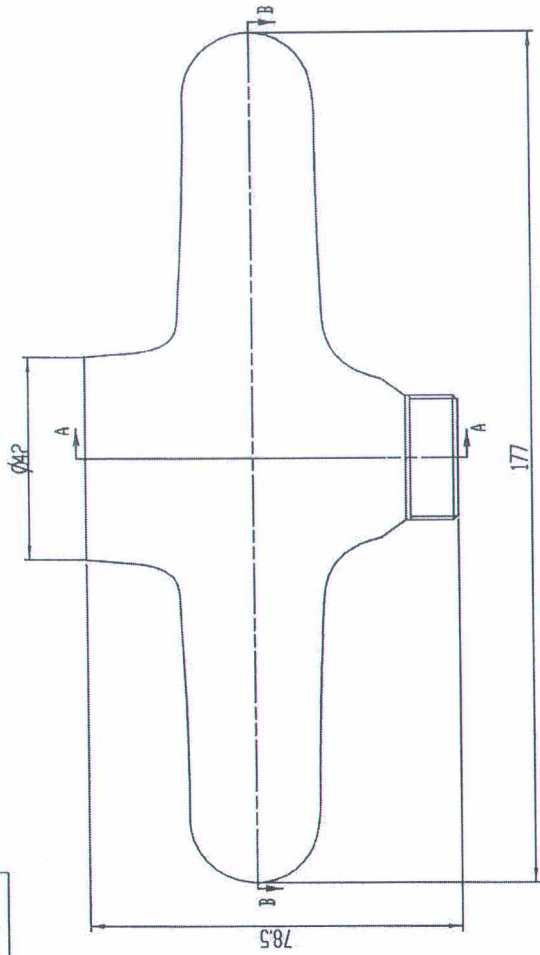
受控章

NO.	PART NO	CODE	PART NAME	Model	QTY	Material
7		2510022	Seat		2	SUS304
6		2550021	O-ring	Ø14*2	2	NBR
5		2510016	Sleeve nut		2	57-3
4	92070-01	2140256	Body		1	DC757S*
3		2710002	WH cartridge		1	35D-2
2	92000-02	2020092	CA Nut		1	57-3
1	92000-03	2020041	Cover		1	ABS

08							
07							
06							
05							
04							
03							
02							
01							
Rev.	None	Iscte	Change				

novaservis [®]	
SINK BASIN MIXER	
Title	
No. 1P2/A	No. 92 070-00
Scale	1/1
Scale	Made 1 of 1
Rev.	A3

ED:A



受控章

Polished, Chrome-plated (thickness Ni. 5 microns and Cr 0,15 microns)

Novaservis	Approved	Date	Signature
Supplier	Ce jpek F.	22.8.2023	<i>[Signature]</i>
		22.08.25	马守幸

Information for Buyer and designer attention: please check the drawing for the correct dimensions and tolerances before manufacturing. In case of any doubt, please contact the supplier.	
Part Name	Body
Part No.	92 070-01
Rev.	A3
Scale	1:1
Sheet	1 of 1
Drawn By	123023
Checked By	123023
Approved By	123023
Supplied By	123023
Code No.	123023

novaservis