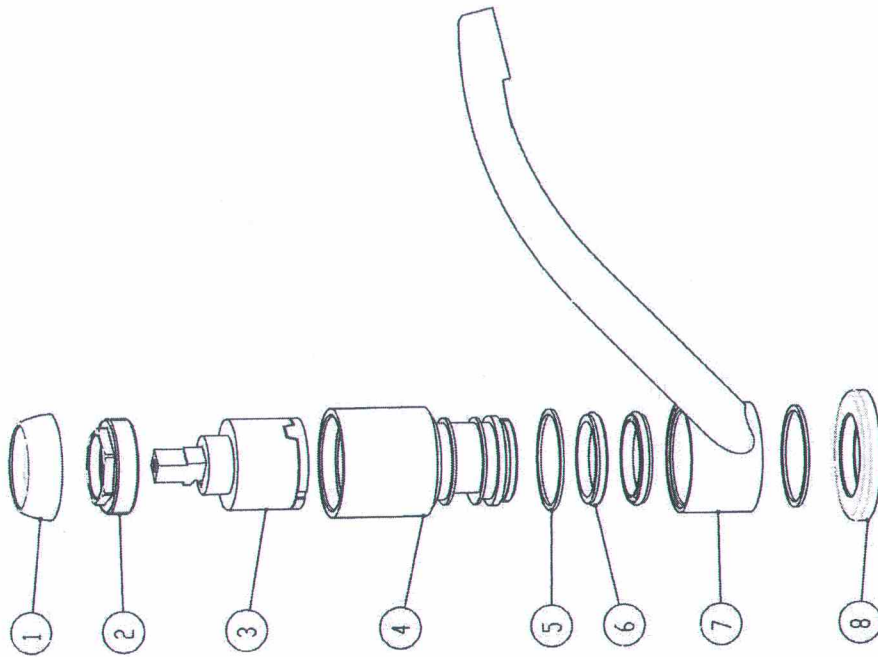


ED:A



受控章

	Approved	Date	Signature
Novoservis	Cejpek F.	15.5.2023	<i>[Signature]</i>
Supplier		23.08.25	冯守章

NO	PART NO	CODE	PART NAME	MODEL	QTY	Material
8		2530098	Base Ring		1	57-3
7	92091-02	2670175	Spout		1	SUS304
6	92091-03	2550066	Sealing		2	NBR/OBL
5		2050040	Gasket	38.4X34.6X1.3	2	PTFE
4	92091-01	2140106	Inner Body		1	BR23
3		2710002	WH Cartridge		1	35D-2
2	92000-02	2020092	CA Nut		1	57-3
1	92000-03	2020041	Cover		1	ABS

08						
07						
06						
05						
04						
03						
02						
01						
Rev.						

Tolerances for linear and diameter dimensions without individual tolerance indications: ISO 2768-m
 Tolerances for radius and chamfer without individual tolerance indications: ISO 2768-m

Item	21.2.2023	Chem No
Date		None
Material		
Weight (g)	530	Surface (cm ²)
Local No.	09209193000	

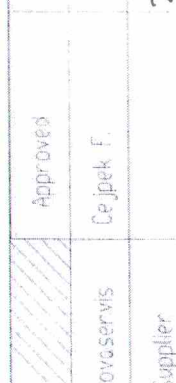
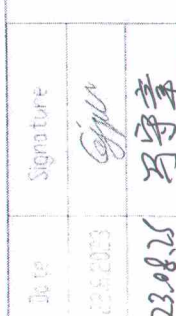
Title: SINK MIXER
 No. 1004: 92 091-00
 Scale: 1:1
 Made 1 of 1

No. 1004: 92 091-00
 Rev. A3

novaservis®

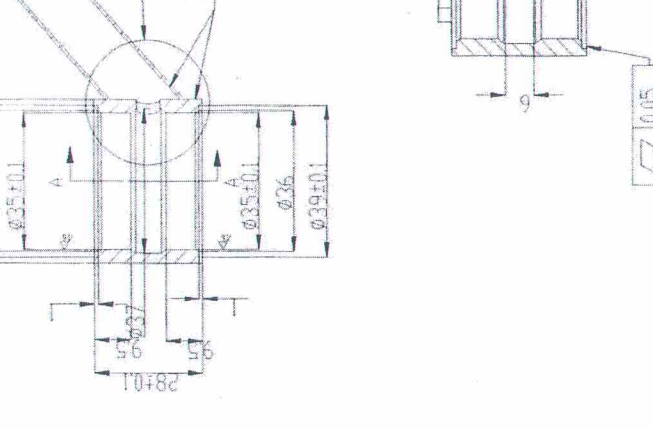
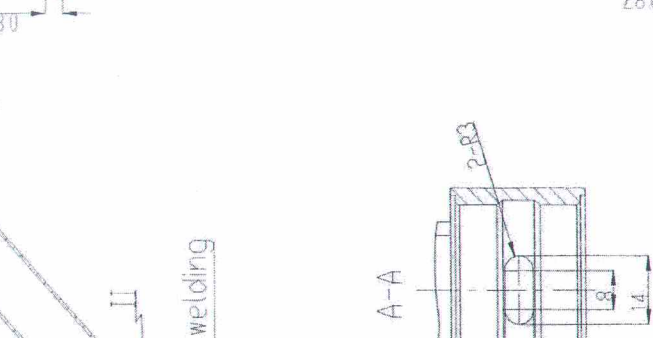
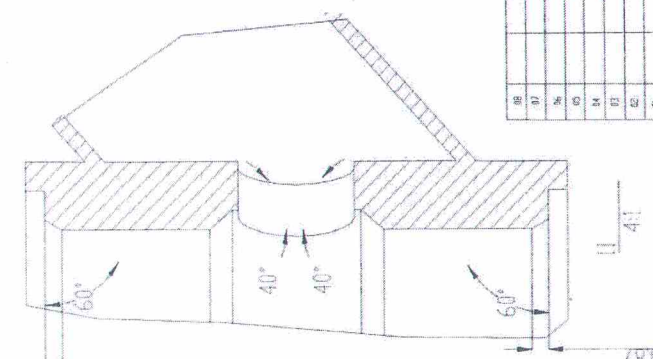
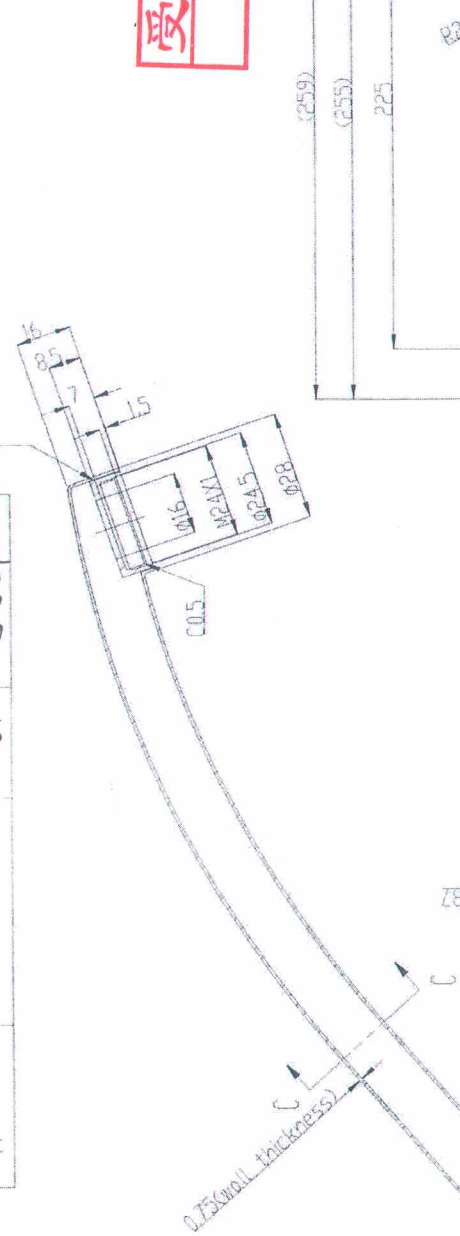
E.D.A

R4.2p
R20



Novaservis	Approved	Date	Signature
Supplier	De Jpek F.	23.8.2003	<i>Cejpek</i>
		23.08.25	马守章

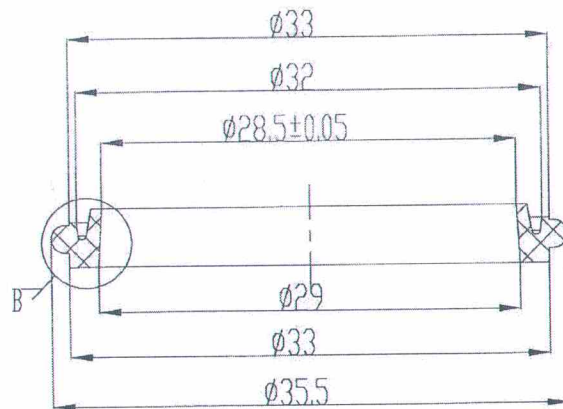
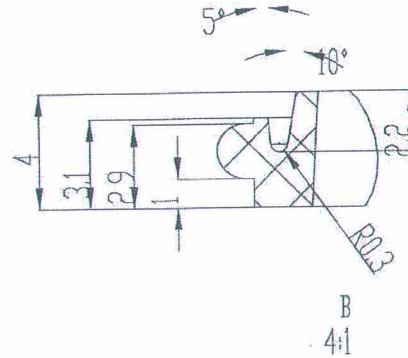
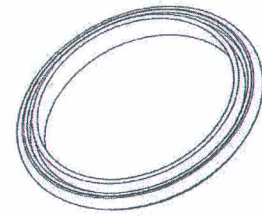
受控章



Polished, Chrome-plated (thickness Ni: 5 microns and Cr 0.15 microns)

<p>Novaservis</p> <p>SINK MIXER</p>			
Part No	92 091-02	Rev	A3
Project No	2670175	Scale	1:1
Drawn By	132823	Checked By	
Material	SAE304	Process Code	
Weight	139	Part No	
Lot No	020000000	Scale	1:1

ED:A



受控章

	Approved	Date	Signature
Novaservis	Cejpek F.	15.5.2023	
Supplier		23.08.25	马守章

08				Tolerances for linear and diameter dimensions without individual tolerance indications: ISO 2768-m Tolerances for radius and chamfer without individual tolerance indications: ISO 2768-n	novaservis Title: Sealing		
07							
06				Date	Name	No. DRW: 92 091-03 (2550066)	A4
05				Drew	21.2.2023		
04				Material:		Rev.	
03				NBR(BL)/Silicon			
02				Weight(g)	1.2	Scale: 1:1	blade 1 of 1
01				Surface (dm ²)			
Rev	Name	Date	Change	Kod B7			