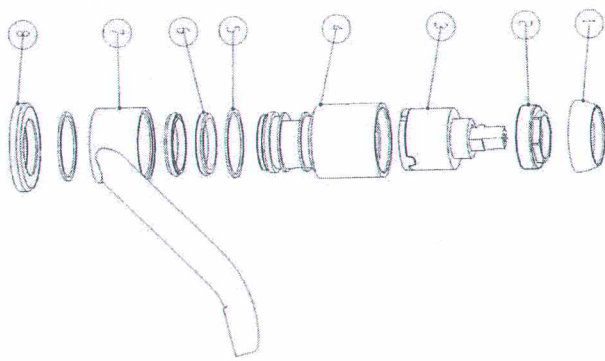


EDA



	Approved	Date	Signature
Novaservis	De/pek F.	15.5.2023	<i>Carl</i>
Supplier		23.08.25	冯宇章

受控章

NO	PART NO	CODE	PART NAME	MODEL	QTY	Mg. Material
8	2530058		Base Ring	57-3	1	57-3
7	92096-02	2570174	Spoort	3052004	1	3052004
6	92091-03	2550066	Sealing	NR00103	2	NR00103
5		2050040	Gasket	38.4X34.6X13	2	PTFE
4	92091-01	2140016	Inner Body	81827	1	81827
3		2710002	VH Cartridge	250-2	1	250-2
2	92000-02	2020092	CA Nut	57-3	1	57-3
1	92000-03	2020041	Cover	ABS	1	ABS

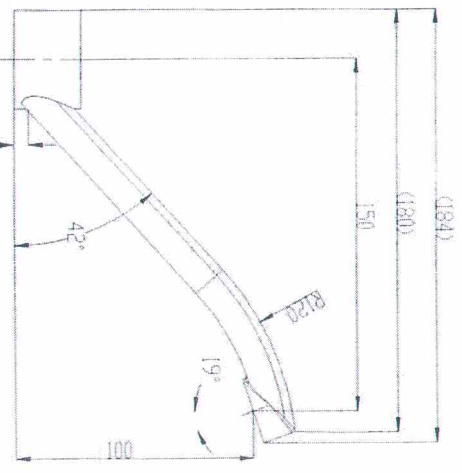
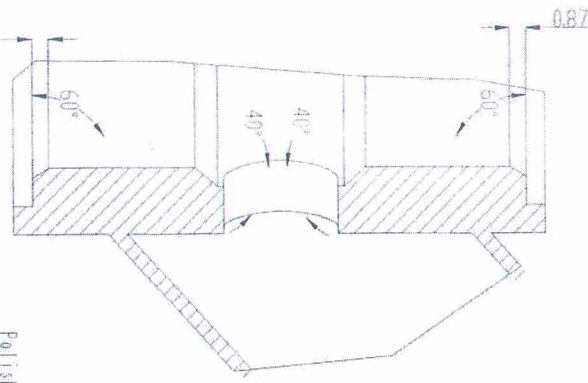
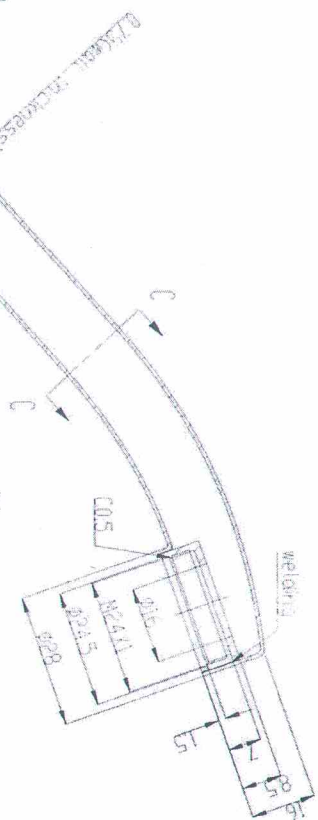
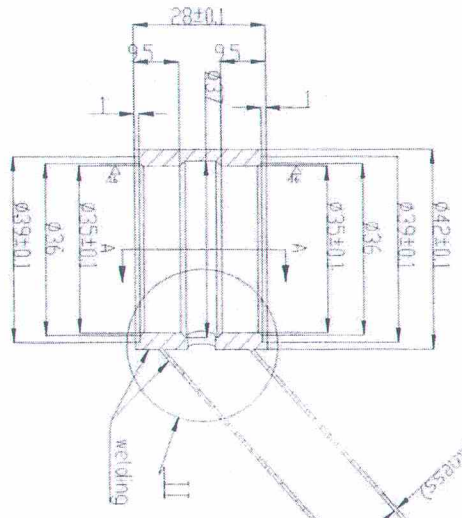
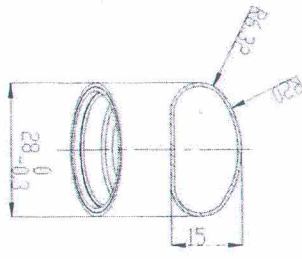
  

NO	Part	Change	Suppl. Code	Part Name	Code	Qty	Mg. Material
82							
81							
80							
79							
78							
77							
76							
75							
74							
73							
72							
71							
70							

**novaservis**  
 Title: SINK MIXER  
 No. 92 096-00  
 Scale: 1:1  
 Date: 11

E.D.A

NOVASERVIS	Approved	Date	Signature
Supplier	De Jpek F.	22.8.2023	<i>gnl</i>
		23.08.25	冯宇章



Polished, Chrome-plated (thickness Ni: 5 microns and Cr 0,15 microns)

**NOVASERVIS**  
SINK MIXER

Rev	Issue	Date	Change
01			
02			
03			
04			
05			
06			
07			
08			
09			
10			
11			

受控章