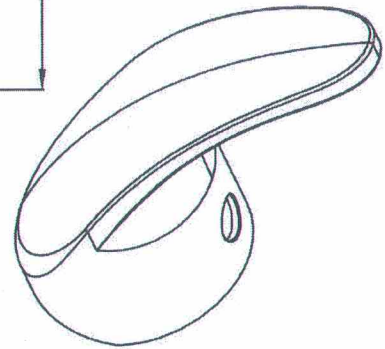
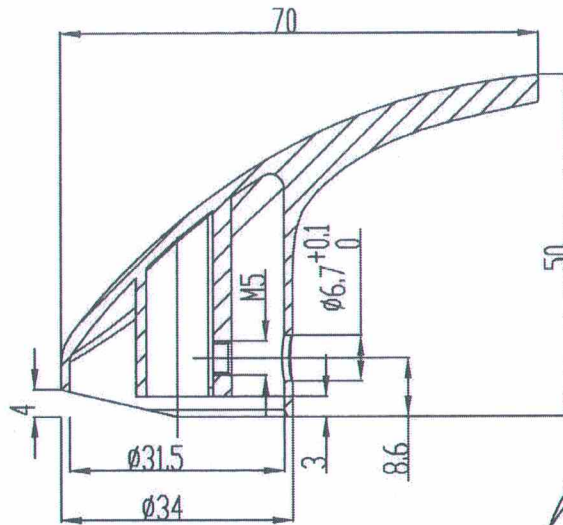
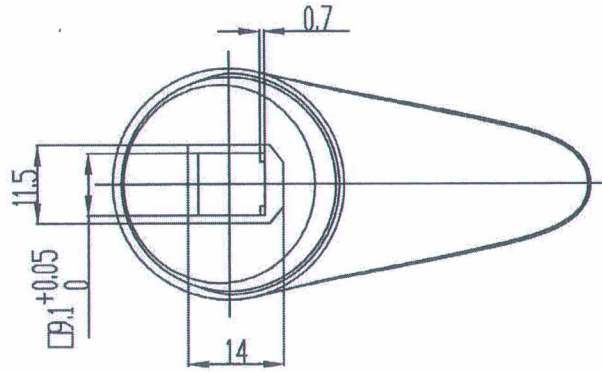


ED:A

3.2



受控章

	Approved	Date	Signature
Novaservis	Cejpek F	29.5.2023	<i>Cejpek</i>
Supplier		23.06.01	冯守章

08				<p>Tolerances for linear and diameter dimensions without individual tolerance indications ISO 2768-m</p> <p>Tolerances for radius and chamfer without individual tolerance indications . : ISO 2768-n</p> <p>Material: Zinc</p> <p>Weight(kg): 70</p> <p>Placha (dn2):</p> <p>Kod B7: 01920059900000</p>	<p><b>novaservis</b></p>		
07							
06					<p>Title: Handle</p>		
05					<p>No DRV: 92 005-02</p>	2230023	A4
04					<p>Date: 15.3.2023</p> <p>Name: Chen Bo</p>		
03							
02							
01							
Rev.	Name	Date	Change	Kod B7:	Scale	1:1	Made 1 of 1